



Chipsmall Limited consists of a professional team with an average of over 10 year of expertise in the distribution of electronic components. Based in Hongkong, we have already established firm and mutual-benefit business relationships with customers from,Europe,America and south Asia,supplying obsolete and hard-to-find components to meet their specific needs.

With the principle of “Quality Parts,Customers Priority,Honest Operation,and Considerate Service”,our business mainly focus on the distribution of electronic components. Line cards we deal with include Microchip,ALPS,ROHM,Xilinx,Pulse,ON,Everlight and Freescale. Main products comprise IC,Modules,Potentiometer,IC Socket,Relay,Connector.Our parts cover such applications as commercial,industrial, and automotives areas.

We are looking forward to setting up business relationship with you and hope to provide you with the best service and solution. Let us make a better world for our industry!



Contact us

Tel: +86-755-8981 8866 Fax: +86-755-8427 6832

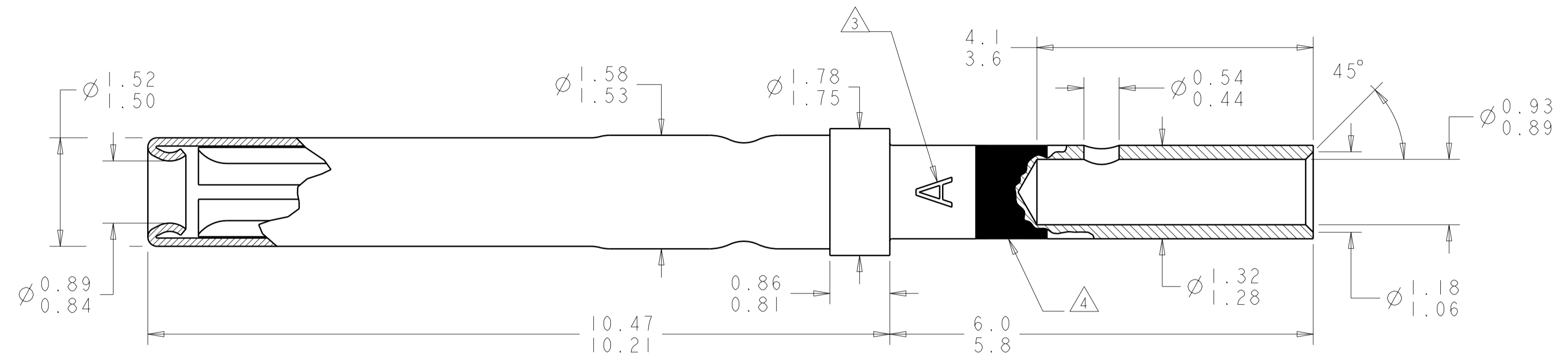
Email & Skype: info@chipsmall.com Web: www.chipsmall.com

Address: A1208, Overseas Decoration Building, #122 Zhenhua RD., Futian, Shenzhen, China



THIS DRAWING IS UNPUBLISHED. RELEASED FOR PUBLICATION
 © COPYRIGHT BY ALL RIGHTS RESERVED.

REVISIONS					
P	LTR	DESCRIPTION	DATE	DWN	APVD
A		REV PER ECO 10-023341	11-16-10	CT	KH
B		REV PER ECO-11-003534	08JUN2011	RJM3	KH



1 CONTACT: COPPER ALLOY PER ASTM B196 OR LEADED NICKEL COPPER C97.
 SLEEVE: STAINLESS STEEL PER AISI 305

2 CONTACT: 1.27µm MIN GOLD PER ASTM B488 OVER 2.54µm
 MIN NICKEL PER QQ-N-290 ON ENTIRE STOCK.

SLEEVE: PASSIVATED

3 OPTIONAL ALTERNATE MARKING: LETTER "S"

4 GREEN COLOR BAND.

5. APPLICABLE WIRE SIZE: 22-24-26 AWG
 WIRE INSULATION DIAMETER: 1.4 MAX
 INSULATION STRIP LENGTH: 3.08-3.58

6. APPLICATION TOOLING:
 CRIMPING TOOL: TYCO PART NUMBER 601966-1 (M22520/2-01)
 POSITIONER: TYCO PART NUMBER 601966-8 (M22520/2-23)
 SELECTOR POSITION: AWG 22: 4
 AWG 24: 3
 AWG 26: 3
 CONTACT INSERTION/EXTRCTION TOOL: 91066-1 (M81969/1-01)

7. THIS PRODUCT IS SOLD BY TYCO ELECTRONICS UNDER A LICENSE FROM RADIAL SA.

1738008-1
 PART
 NUMBER

THIS DRAWING IS A CONTROLLED DOCUMENT.		DWN BH	12AUG2004	TE Connectivity SOCKET CONTACT ASSEMBLY, SIZE 22, GPR	
DIMENSIONS:		CHK	12AUG2004		
mm		APVD	12AUG2004		
		PRODUCT SPEC	-		
TOLERANCES UNLESS OTHERWISE SPECIFIED:		APVD	JPM	APPLICATION SPEC	-
0 PLC ±		WEIGHT		SIZE	A200779
1 PLC ±		CUSTOMER DRAWING		CAGE CODE	C-1738008
2 PLC ±		SCALE: 20:1		DRAWING NO	1738008
3 PLC ±		SHEET 1 OF 1		RESTRICTED TO	-
4 PLC ±		REV B			
ANGLES ±30'					
FINISH					