



Chipsmall Limited consists of a professional team with an average of over 10 year of expertise in the distribution of electronic components. Based in Hongkong, we have already established firm and mutual-benefit business relationships with customers from,Europe,America and south Asia,supplying obsolete and hard-to-find components to meet their specific needs.

With the principle of “Quality Parts,Customers Priority,Honest Operation,and Considerate Service”,our business mainly focus on the distribution of electronic components. Line cards we deal with include Microchip,ALPS,ROHM,Xilinx,Pulse,ON,Everlight and Freescale. Main products comprise IC,Modules,Potentiometer,IC Socket,Relay,Connector.Our parts cover such applications as commercial,industrial, and automotives areas.

We are looking forward to setting up business relationship with you and hope to provide you with the best service and solution. Let us make a better world for our industry!



Contact us

Tel: +86-755-8981 8866 Fax: +86-755-8427 6832

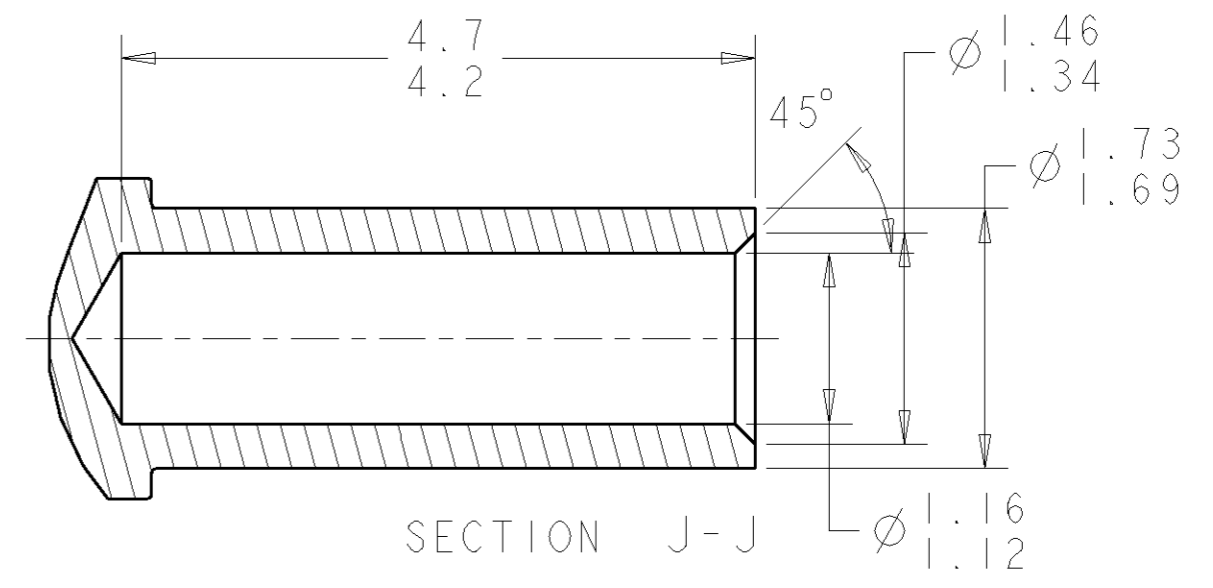
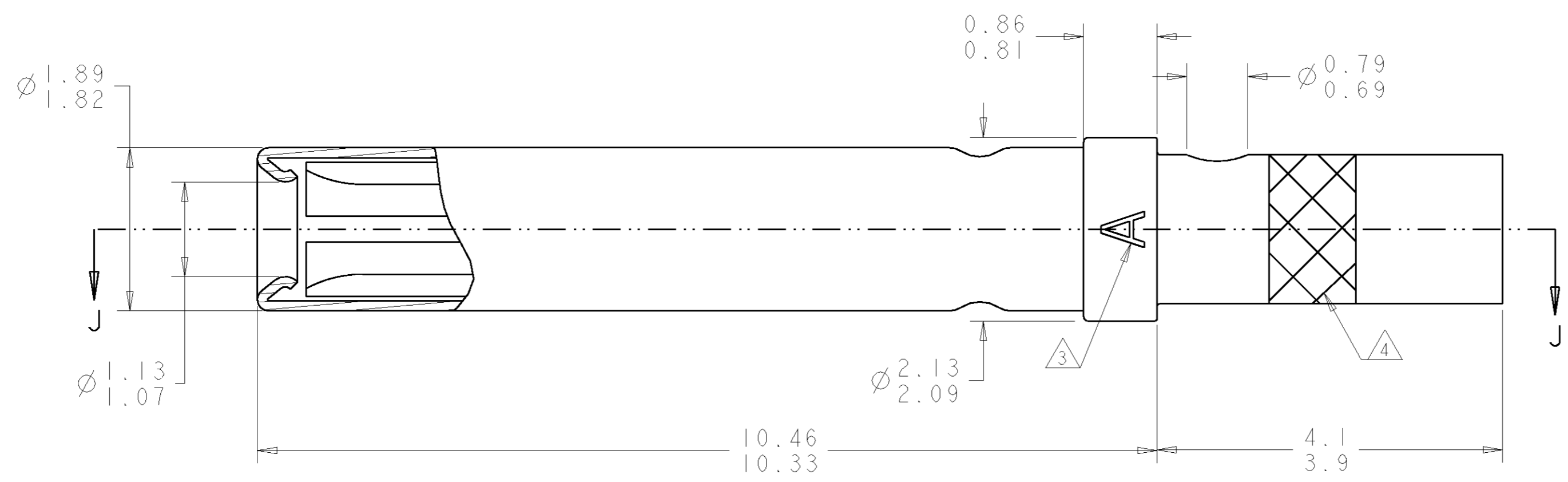
Email & Skype: info@chipsmall.com Web: www.chipsmall.com

Address: A1208, Overseas Decoration Building, #122 Zhenhua RD., Futian, Shenzhen, China



THIS DRAWING IS UNPUBLISHED. RELEASED FOR PUBLICATION 20
 © COPYRIGHT 20 BY TYCO ELECTRONICS CORPORATION. ALL RIGHTS RESERVED.

LOC	DIST	REVISIONS					
DF	A5	P	LTR	DESCRIPTION	DATE	DWN	APVD
		1		PROPOSED	08APR2005	BW	JPM



- ① CONTACT: COPPER ALLOY PER ASTM B196
SLEEVE: STAINLESS STEEL PER AISI 305
- ② CONTACT: 1.27µm MIN GOLD PER ASTM B488 OVER 2.54µm
MIN NICKEL PER QQ-N-290 ON ENTIRE STOCK.
- ③ OPTIONAL ALTERNATE MARKING: LETTER "S"
- ④ RED COLOR BAND
- 5. APPLICABLE WIRE SIZE: 20-22-24 AWG
WIRE INSULATION DIAMETER: 1.8 mm MAX
INSULATION STRIP LENGTH: 3.65-4.15 mm
- 6. APPLICATION TOOLING:
CRIMPING TOOL: TYCO PART NUMBER 601966-1 (M22520/2-01)
POSITIONER: TYCO PART NUMBER 601966-5 (M22520/2-08)
SELECTOR POSITION: AWG 20: 7
AWG 22: 6
AWG 24: 5
CONTACT INSERTION/EXTRACTION TOOL: 91067-2 (M81969/1-02)
- 7. THIS PRODUCT IS SOLD BY TYCO ELECTRONICS UNDER A LICENSE FROM RADIALL SA.

1738012-1
PART NUMBER

THIS DRAWING IS A CONTROLLED DOCUMENT FOR TYCO ELECTRONICS CORPORATION IT IS SUBJECT TO CHANGE AND THE CONTROLLING ENGINEERING ORGANIZATION SHOULD BE CONTACTED FOR THE LATEST REVISION.		DWN BW 08APR2005	Tyco Electronics Harrisburg, PA 17105-3608	
DIMENSIONS: mm		CHK JPM 08APR2005	NAME SOCKET CONTACT ASSEMBLY, SIZE 20, GPR	
TOLERANCES UNLESS OTHERWISE SPECIFIED: 0 PLC ± 1 PLC ± 2 PLC ± 3 PLC ± 4 PLC ± ANGLES ± FINISH		APVD JPM 08APR2005	SIZE CAGE CODE DRAWING NO RESTRICTED TO A200779 C-1738012 -	
MATERIAL		PRODUCT SPEC -	SCALE, SHEET OF REV 20.1 1 1	
①		APPLICATION SPEC -	CUSTOMER DRAWING	
②		WEIGHT -		