



Chipsmall Limited consists of a professional team with an average of over 10 year of expertise in the distribution of electronic components. Based in Hongkong, we have already established firm and mutual-benefit business relationships with customers from,Europe,America and south Asia,supplying obsolete and hard-to-find components to meet their specific needs.

With the principle of “Quality Parts,Customers Priority,Honest Operation,and Considerate Service”,our business mainly focus on the distribution of electronic components. Line cards we deal with include Microchip,ALPS,ROHM,Xilinx,Pulse,ON,Everlight and Freescale. Main products comprise IC,Modules,Potentiometer,IC Socket,Relay,Connector.Our parts cover such applications as commercial,industrial, and automotives areas.

We are looking forward to setting up business relationship with you and hope to provide you with the best service and solution. Let us make a better world for our industry!



Contact us

Tel: +86-755-8981 8866 Fax: +86-755-8427 6832

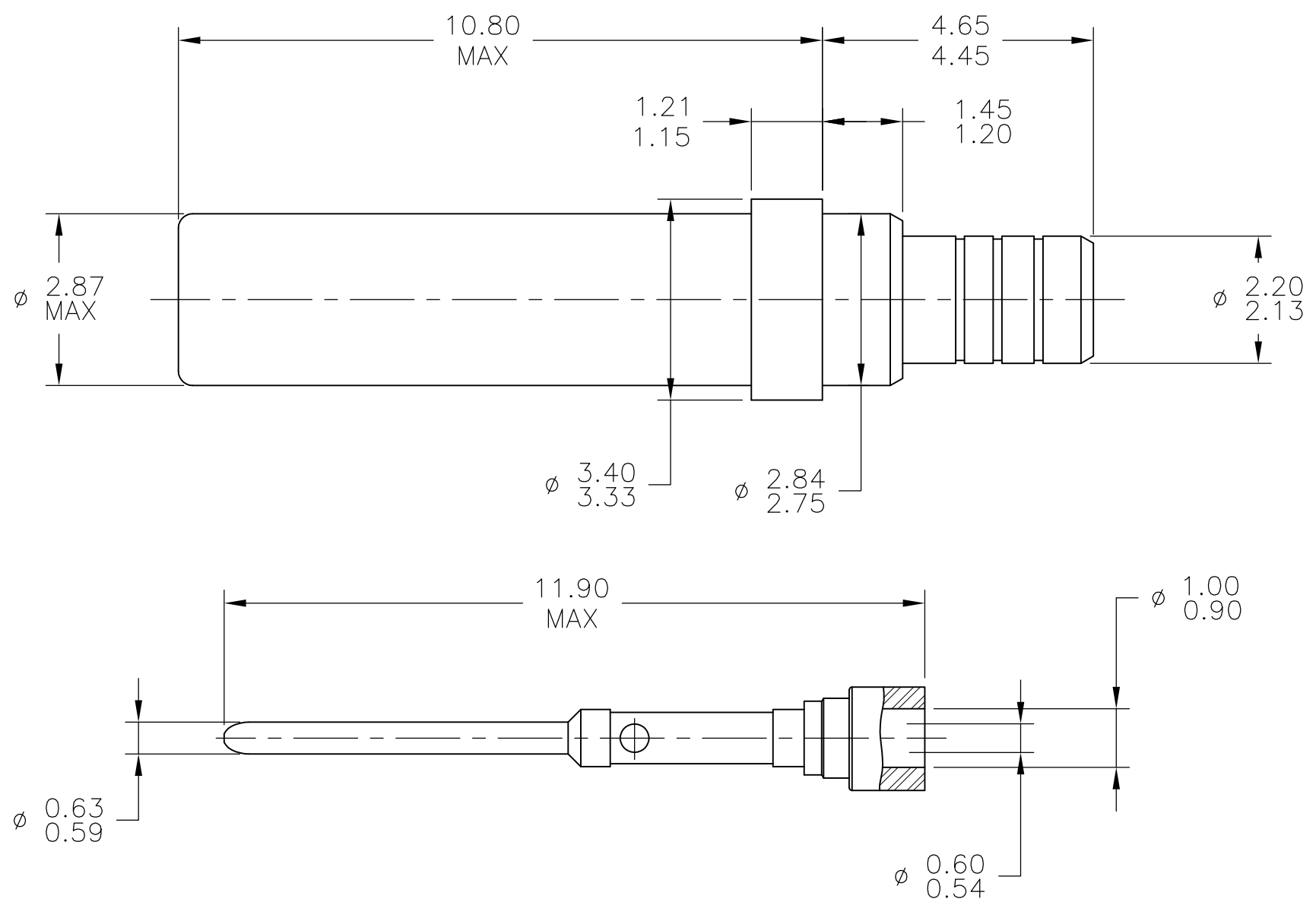
Email & Skype: info@chipsmall.com Web: www.chipsmall.com

Address: A1208, Overseas Decoration Building, #122 Zhenhua RD., Futian, Shenzhen, China



THIS DRAWING IS UNPUBLISHED. RELEASED FOR PUBLICATION
 © COPYRIGHT - By - ALL RIGHTS RESERVED.

LOC		DIST		REVISIONS			
P	LTR	DESCRIPTION		DATE	DWN	APVD	
	A	REVISED PER ECO-15-010650		27AUG2015	RS	CT	



NOTES:

1. FEMALE COAX CONTACTS SIZE 15 FOR CABLE TYPE KX22 SINGLE AND DOUBLE STRANDS TYPE FILECA

MATERIALS:

OUTER CONTACT, CENTRE CONTACT, FERRULE: COPPER ALLOY PLATED GOLD OVER NICKLE
 UNDERPLATE.
 PROTECTING TUBE: PASSIVATED STAINLESS STEEL

3. THIS PRODUCT IS SOLD BY TYCO ELECTRONICS UNDER A LICENSE FROM RADIALL

TE PART NO.
1738026-1

THIS DRAWING IS A CONTROLLED DOCUMENT.		DWN 27AUG2015 RAGHAV SATISH	TE Connectivity	
DIMENSIONS: mm		CHK 27AUG2015 CHARLES THOMAS		
		APVD 27AUG2015 CHARLES THOMAS	NAME GPR COAXIAL CONTACT, SOCKET, SIZE 15	
TOLERANCES UNLESS OTHERWISE SPECIFIED:		PRODUCT SPEC	SIZE CAGE CODE DRAWING NO RESTRICTED TO	
0 PLC ± -		APPLICATION SPEC	A3 00779 C-1738026	
1 PLC ± -		WEIGHT -	SCALE NTS SHEET 1 OF 1 REV A	
2 PLC ± -		CUSTOMER DRAWING		
3 PLC ± -				
4 PLC ± -				
ANGLES ± -				
FINISH -				