



Chipsmall Limited consists of a professional team with an average of over 10 year of expertise in the distribution of electronic components. Based in Hongkong, we have already established firm and mutual-benefit business relationships with customers from,Europe,America and south Asia,supplying obsolete and hard-to-find components to meet their specific needs.

With the principle of “Quality Parts,Customers Priority,Honest Operation,and Considerate Service”,our business mainly focus on the distribution of electronic components. Line cards we deal with include Microchip,ALPS,ROHM,Xilinx,Pulse,ON,Everlight and Freescale. Main products comprise IC,Modules,Potentiometer,IC Socket,Relay,Connector.Our parts cover such applications as commercial,industrial, and automotives areas.

We are looking forward to setting up business relationship with you and hope to provide you with the best service and solution. Let us make a better world for our industry!



Contact us

Tel: +86-755-8981 8866 Fax: +86-755-8427 6832

Email & Skype: info@chipsmall.com Web: www.chipsmall.com

Address: A1208, Overseas Decoration Building, #122 Zhenhua RD., Futian, Shenzhen, China



REVISONS		DATE	BY	APP'D
1	REVISED	25FEB10	RF	JM
2	REVISED	08APR10	RF	JM

1 SHELL & KEY RETENTION PLATE: ALUMINUM ALLOY
 QUARTER-TURN FASTENER: COPPER ALLOY PER ASTM B196
 INSERT RETENTION CLIP, CURVED WASHER & FASTENER RETENTION CLIP: COPPER ALLOY PER ASTM B194
 CAPTIVE SCREW: STAINLESS STEEL PER AISI 303
 SCREW RETENTION CLIPS: STAINLESS STEEL PER AISI 304
 PROTECTIVE COVER: THERMOPLASTIC ELASTOMER
 POLARIZATION KEY: PEI THERMOPLASTIC PER ASTM D5205

2 SHELL: ELECTROLESS NICKEL PER SAE AMS-C-26074, CLASS 1
 KEY RETENTION PLATE: ANODIZED, CLEAR

3 PART TO BE MARKED WITH TYCO ELECTRONICS PRODUCT IDENTIFIER, PART NUMBER AND DATE CODE (YYWW) IN APPROX. AREA SHOWN.

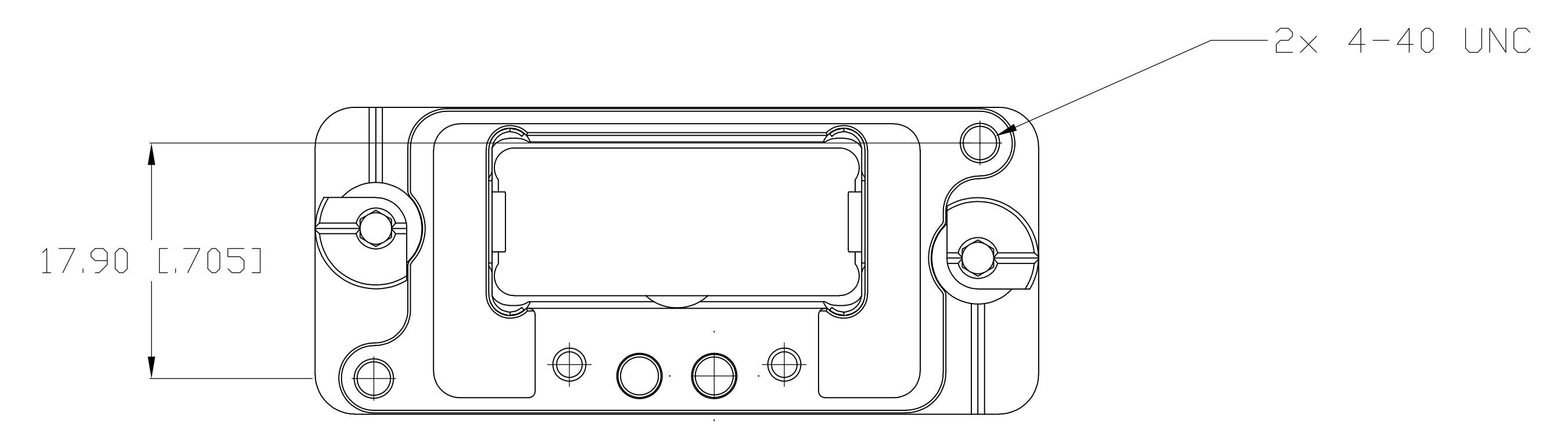
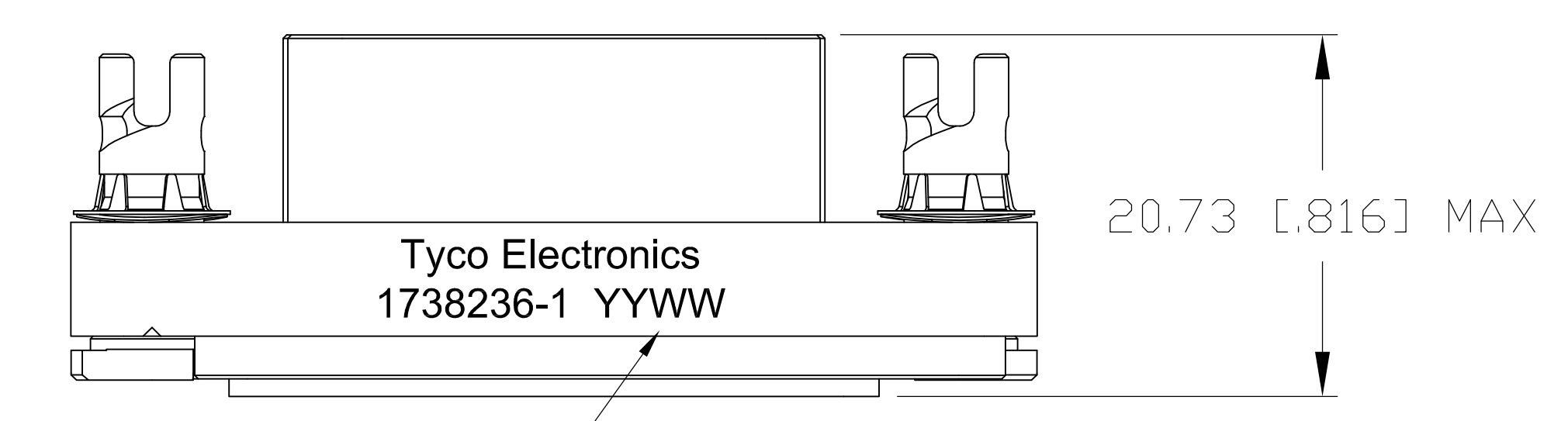
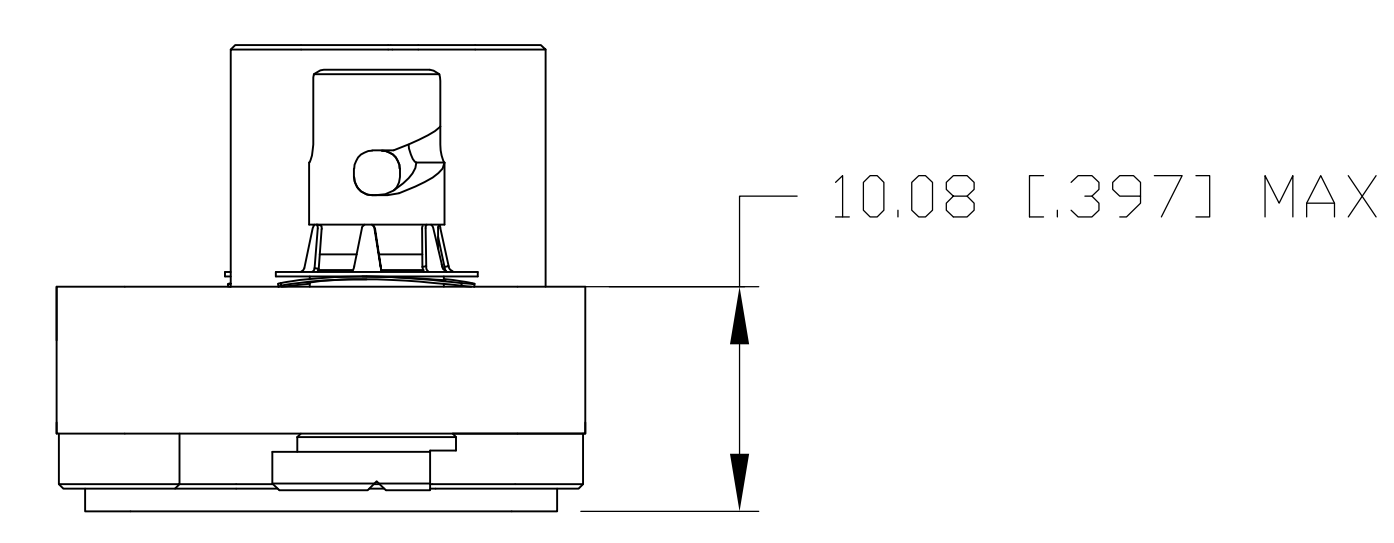
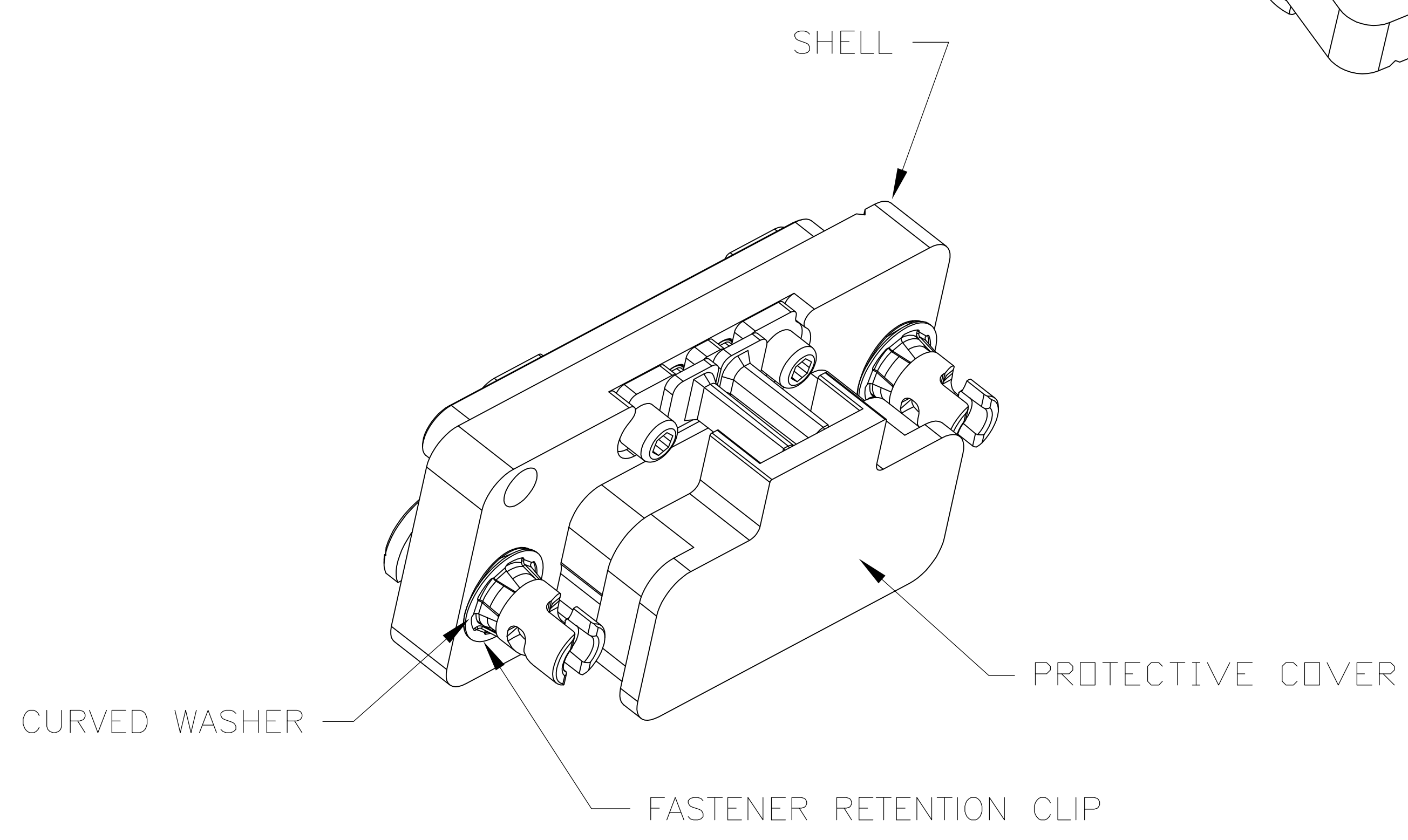
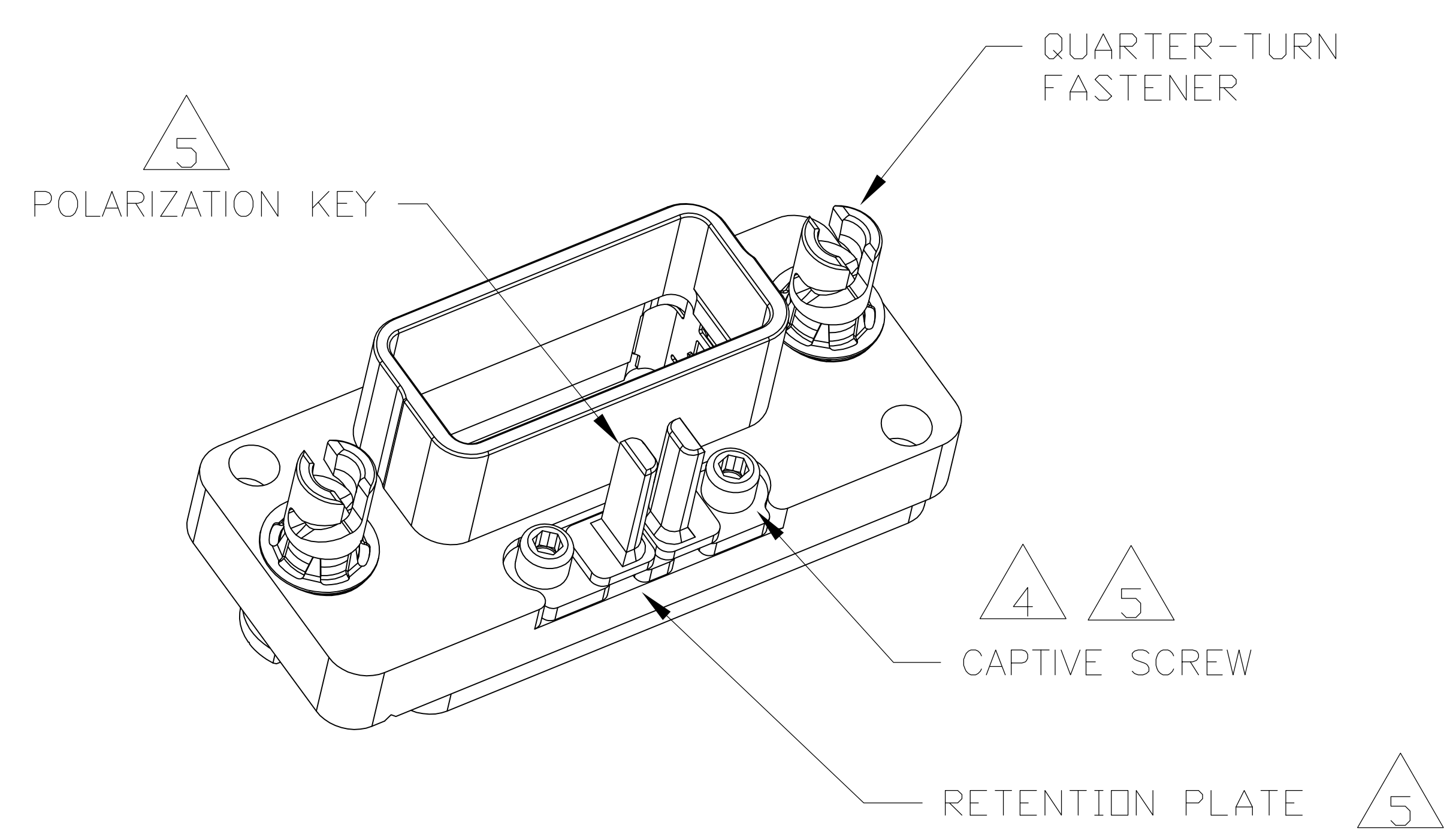
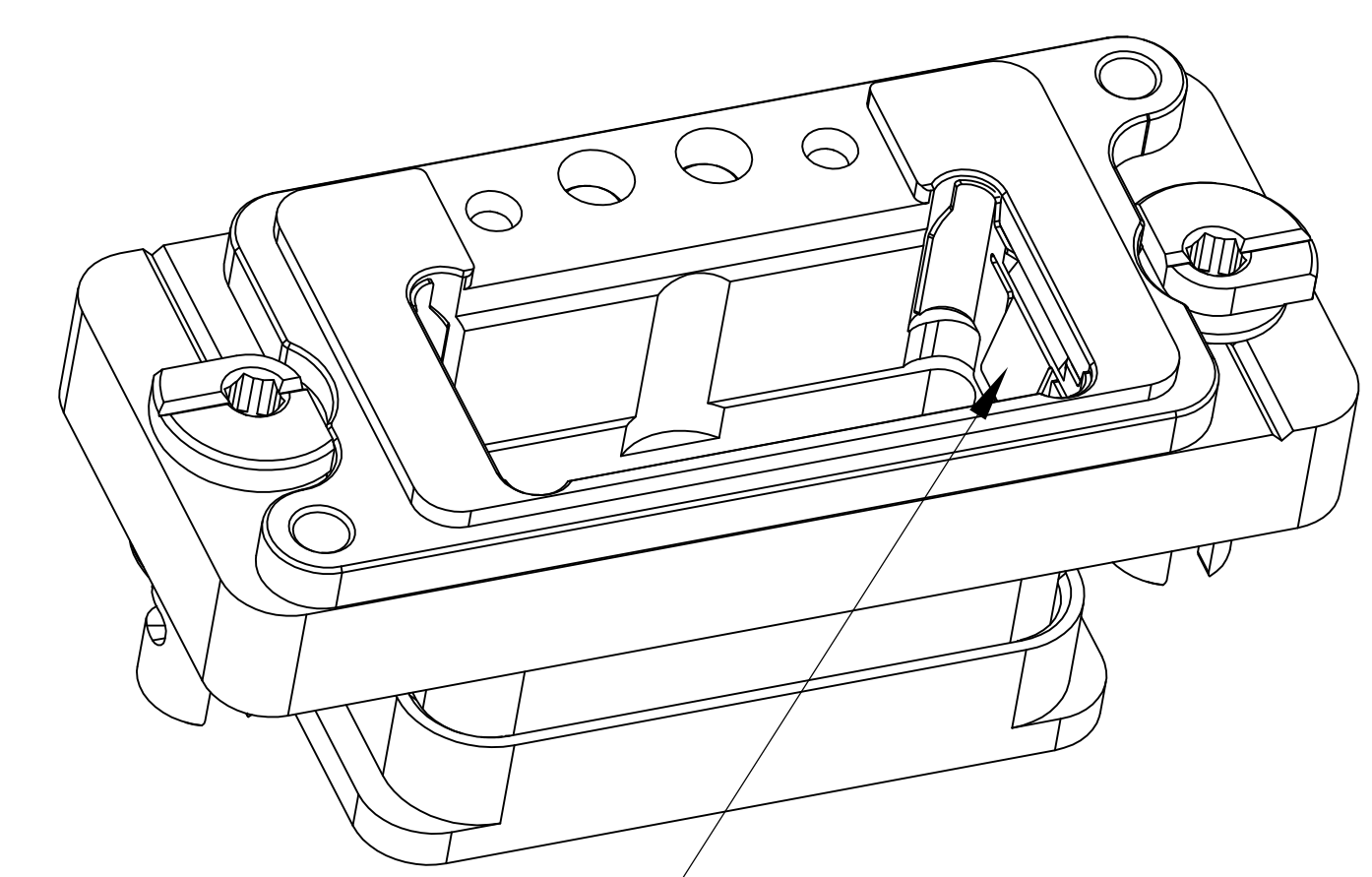
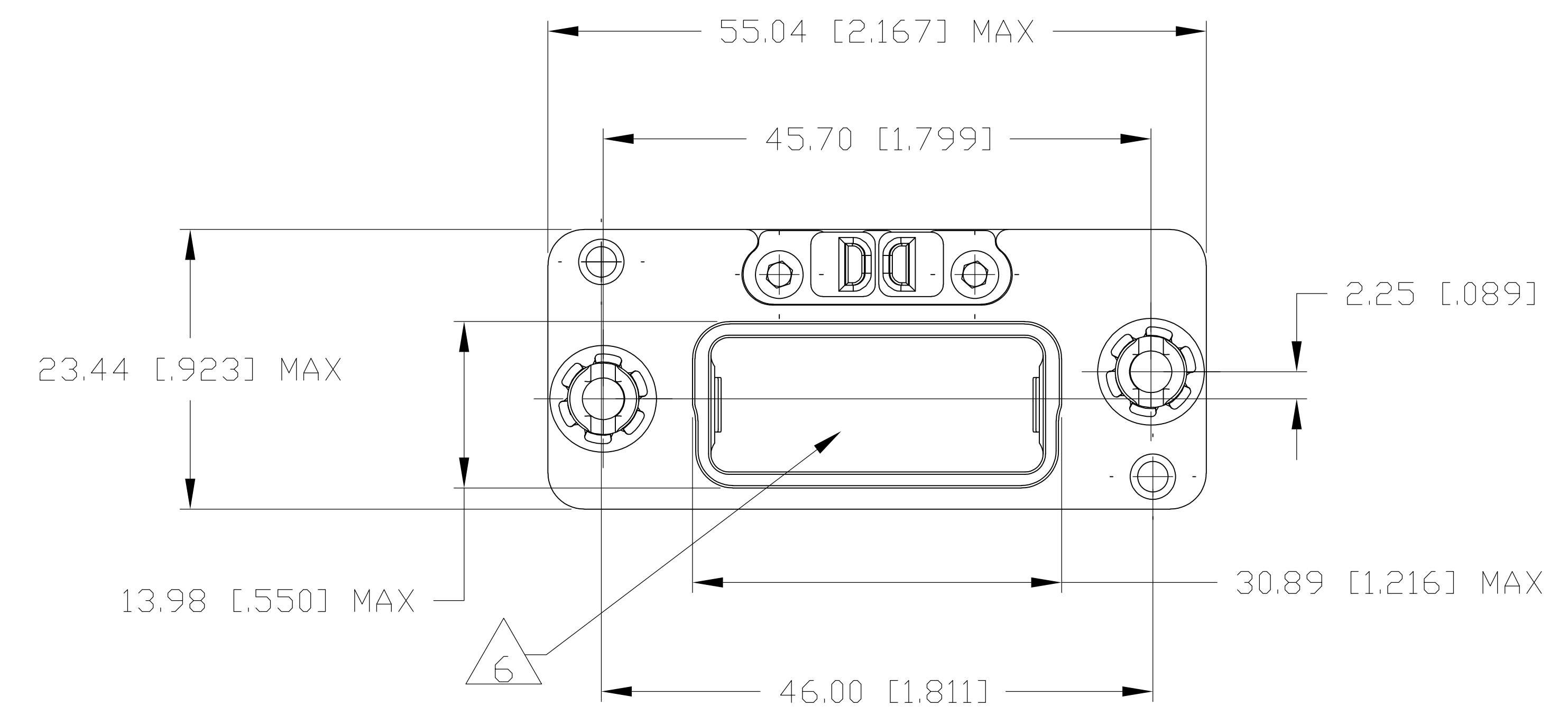
4 4-40 CAPTIVE SCREWS ON KEY RETENTION PLATE
 RECOMMENDED LOCKING TORQUE: 0.8 N.m [7in-lb]

5 THE POLARIZATION KEYS & RETENTION PLATE ARE SHIPPED UNASSEMBLED.

6 SHELL CAVITY FOR GPRB SERIES INSERTS WITH KEYING CODE A.

7. DESCRIPTIVE PART NUMBER: GPRB1PB04N
 SERIES: GPRB
 SHELL SIZE: 1 (SINGLE-CAVITY SHELL)
 SHELL STYLE: P (PLUG)
 MODIFICATION CODE: B (NO MOUNTING HOLES)
 LOCKING DEVICE: 0 (QUARTER-TURN FASTENER)
 POLARIZATION CODE: 4 (KIT, WITH POLARIZING HARDWARE UNASSEMBLED)
 SHELL PLATING: N (NICKEL PLATING)

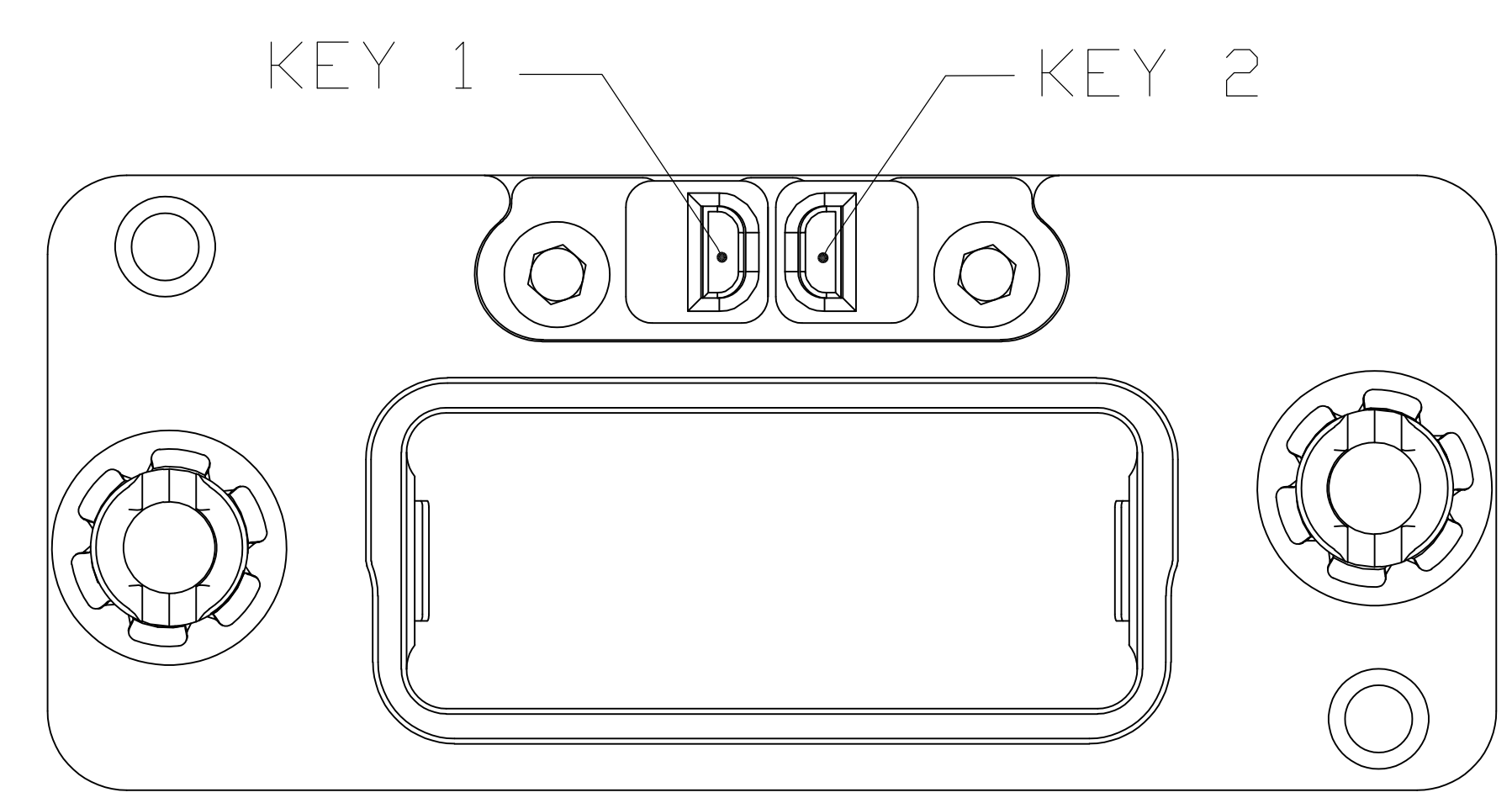
8. THIS PRODUCT IS SOLD BY TYCO ELECTRONICS UNDER A LICENSE FROM RADIAL SA.



THIS PRINT IS
PRELIMINARY
 UNQUALIFIED PRODUCT
 CONTACT PRODUCT ENGINEERING
 BEFORE USING THIS PRINT

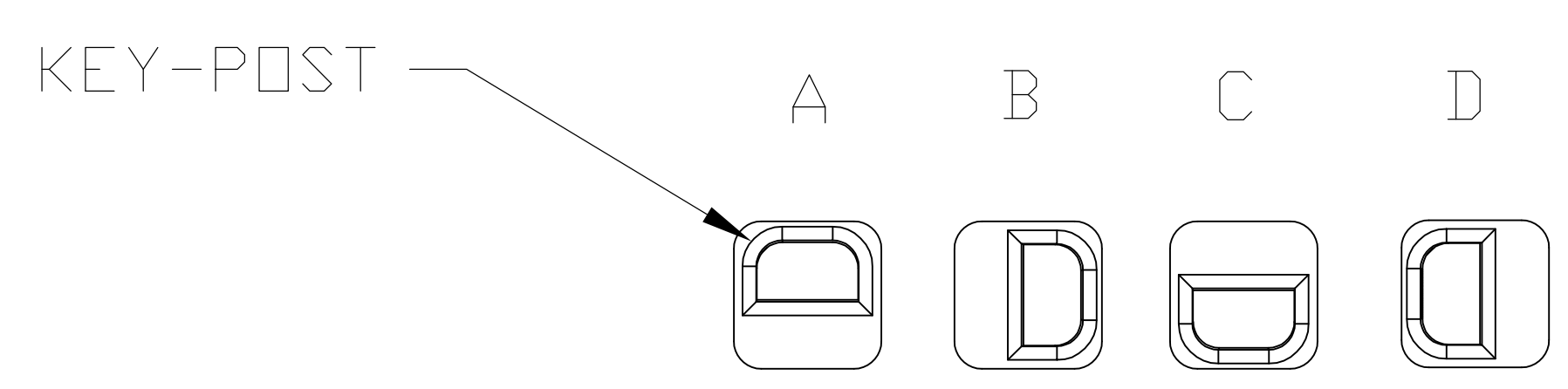
1738236-1
 PART NUMBER

THIS DRAWING IS A CONTROLLED DOCUMENT.		DATE	BY	DATE	BY	Tyco Electronics Corporation Harrisburg, Pa 17105-3608	
DIMENSIONS: mm (INCHES)		DESIGN	DATE	DESIGN	DATE	Tyco Electronics Corporation	
TOLERANCES UNLESS OTHERWISE SPECIFIED:		APP'D	DATE	APP'D	DATE	Tyco Electronics Corporation	
Ø	F. P.C.	PRODUCT SPEC		PRODUCT SPEC		Tyco Electronics Corporation	
Ø	F. P.C.	APPLICATION SPEC		APPLICATION SPEC		Tyco Electronics Corporation	
Ø	F. P.C.	WEIGHT		WEIGHT		Tyco Electronics Corporation	
Ø	F. P.C.	CUSTOMER DRAWING		CUSTOMER DRAWING		Tyco Electronics Corporation	
MATERIAL		FINISH		SCALE		SHEET	
1		2		2:1		1 of 2	
REV		REV		REV		REV	
2		2		2		2	



CODE NUMBER 08 SHOWN: B-D
 POLARIZATION KEY 1 ——— POLARIZATION KEY 2

PLUG CONNECTOR POLARIZATION



CODE NUMBER	KEY 1	KEY 2
01	A	A
02	A	B
03	A	C
04	A	D
05	B	A
06	B	B
07	B	C
08	B	D
09	C	A
10	C	B
11	C	C
12	C	D
13	D	A
14	D	B
15	D	C
16	D	D

KEY-POST ORIENTATION

THIS PRINT IS
PRELIMINARY
 UNQUALIFIED PRODUCT
 CONTACT PRODUCT ENGINEERING
 BEFORE USING THIS PRINT

1738236-1
 PART NUMBER

THIS DRAWING IS A CONTROLLED DOCUMENT.		REV. FLAG	DATE	BY	CHKD.	DATE	BY	DESCRPTION	DATE	OWN	APP'D.
DIMENSIONS: mm (INCHES)		UNLESS OTHERWISE SPECIFIED:	0.001	0.001	0.001	0.001	0.001	PLUG SHELL KIT WITH POLARIZING HARDWARE GPRB1			
MATERIAL		FINISH	WEIGHT	SCALE	SIZE	DATE CODE	DRAWING NO.	RESTRICTED TO			
CUSTOMER DRAWING				2:1	A0	00779	1738236		2	2	2