



Chipsmall Limited consists of a professional team with an average of over 10 year of expertise in the distribution of electronic components. Based in Hongkong, we have already established firm and mutual-benefit business relationships with customers from,Europe,America and south Asia,supplying obsolete and hard-to-find components to meet their specific needs.

With the principle of “Quality Parts,Customers Priority,Honest Operation,and Considerate Service”,our business mainly focus on the distribution of electronic components. Line cards we deal with include Microchip,ALPS,ROHM,Xilinx,Pulse,ON,Everlight and Freescale. Main products comprise IC,Modules,Potentiometer,IC Socket,Relay,Connector.Our parts cover such applications as commercial,industrial, and automotives areas.

We are looking forward to setting up business relationship with you and hope to provide you with the best service and solution. Let us make a better world for our industry!



Contact us

Tel: +86-755-8981 8866 Fax: +86-755-8427 6832

Email & Skype: info@chipsmall.com Web: www.chipsmall.com

Address: A1208, Overseas Decoration Building, #122 Zhenhua RD., Futian, Shenzhen, China



4

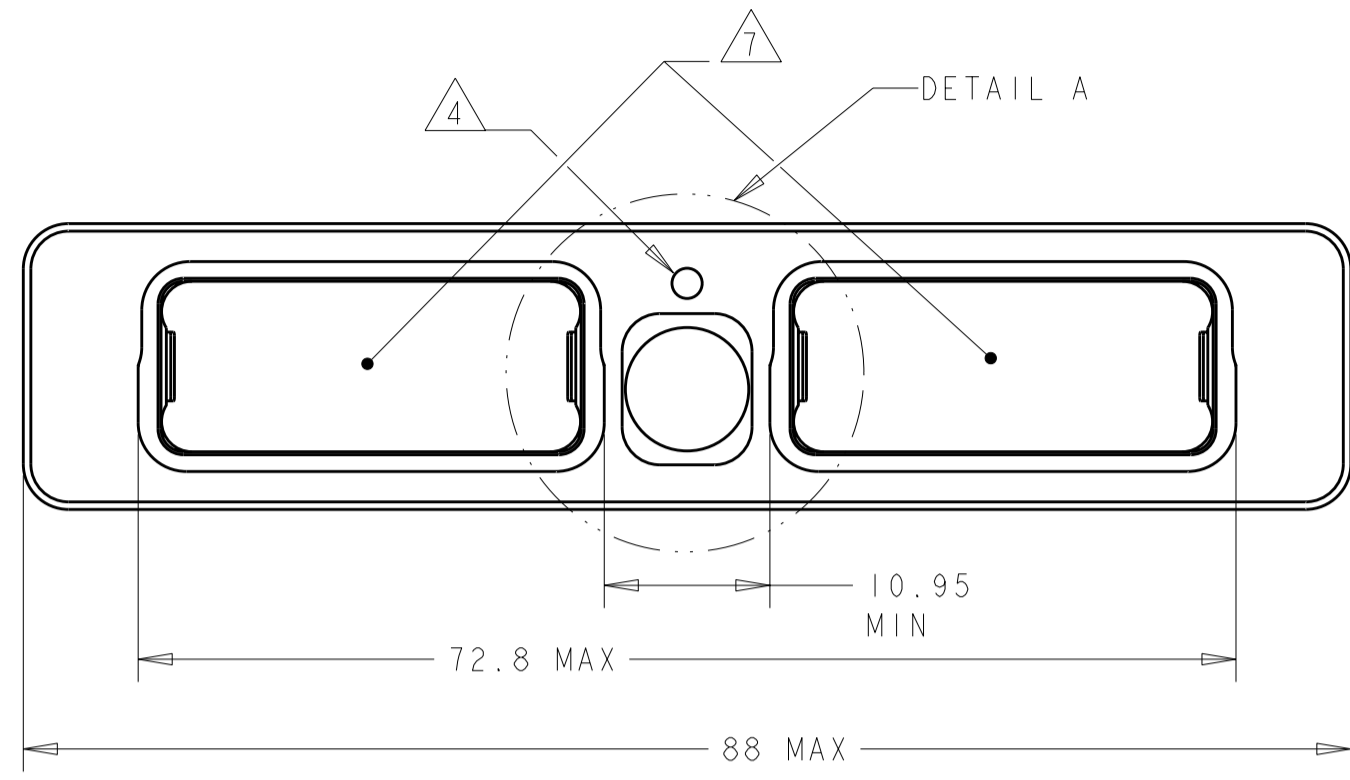
3

2

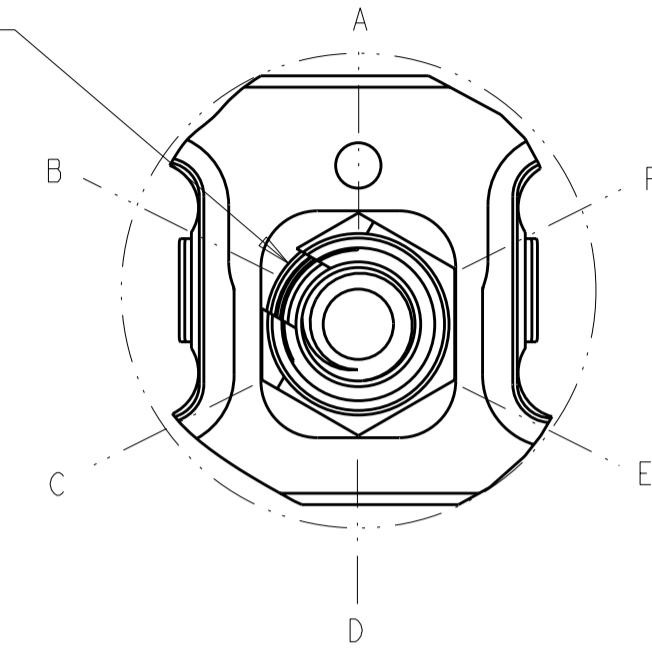
1

THIS DRAWING IS UNPUBLISHED. RELEASED FOR PUBLICATION
 © COPYRIGHT - BY TYCO ELECTRONICS CORPORATION. ALL RIGHTS RESERVED.

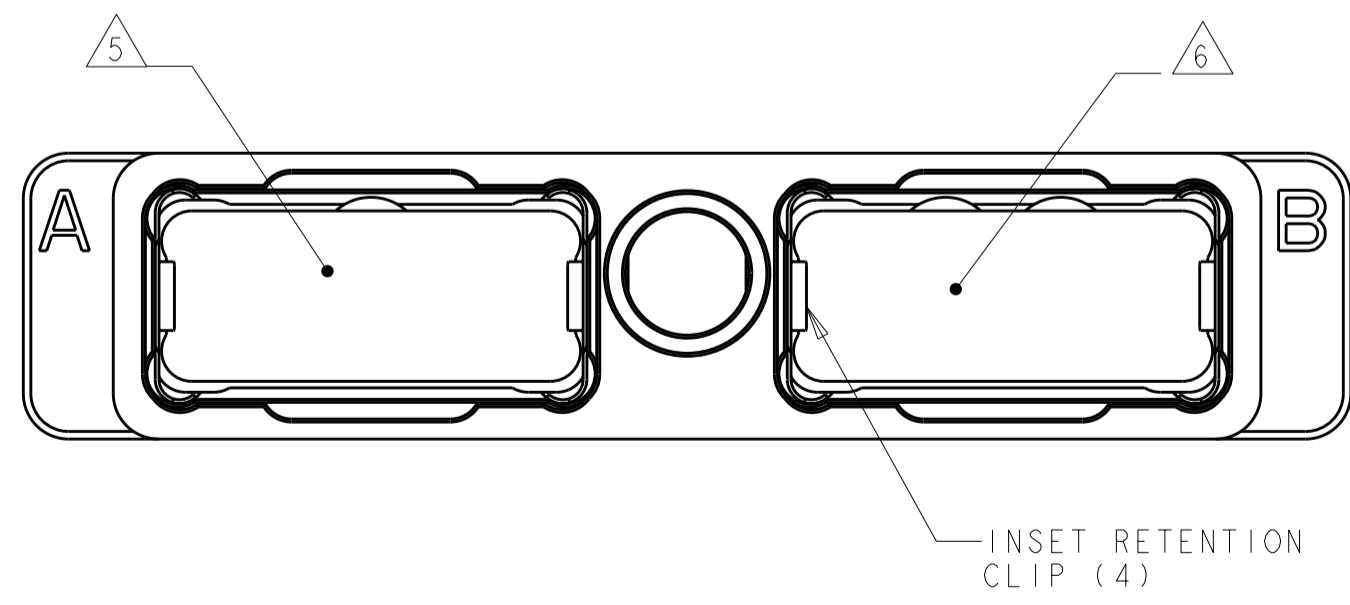
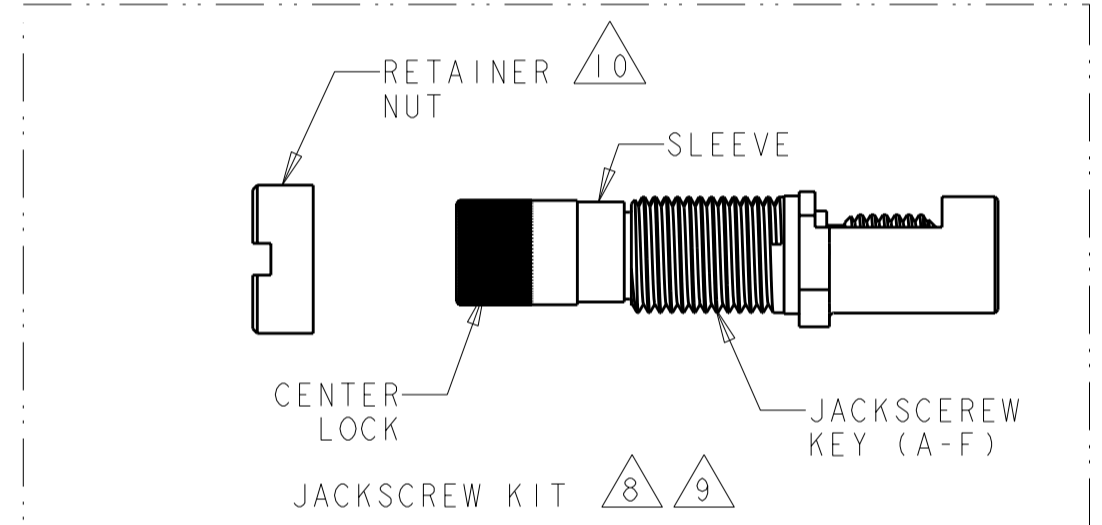
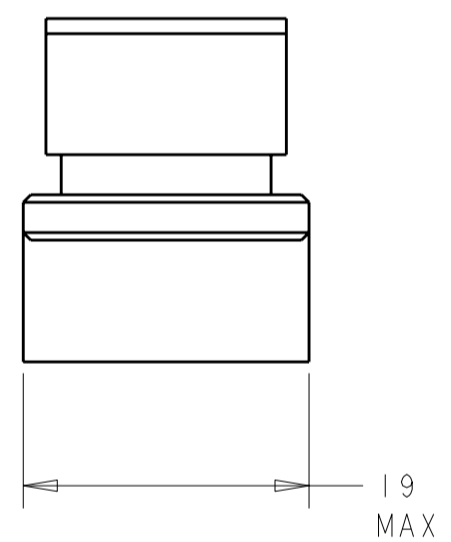
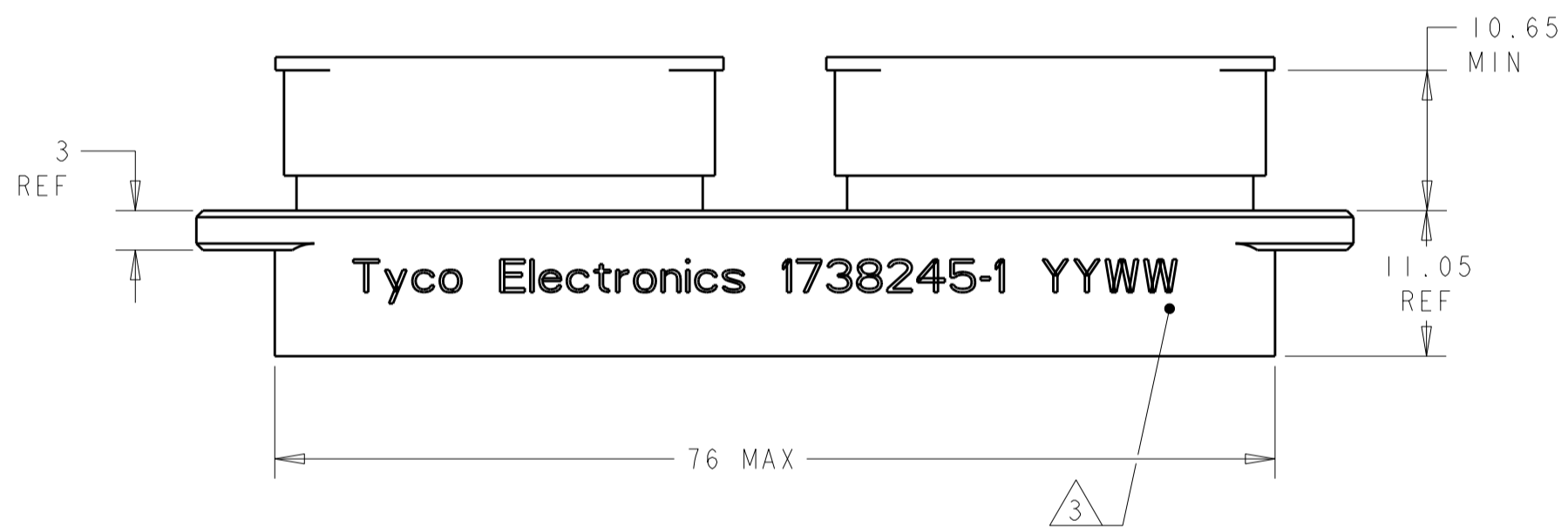
LOC		DIST		REVISIONS			
P	LTR	DESCRIPTION	DATE	DWN	APVD		
	A	REV PER ECO 10-021447	10-21-10	CT	KH		



KEY SLOT OF A - F JACKSCREW
 ALIGNED WITH THE CORNER POINTS
 OF THE POLARIZING HEX
 (SHOWN IN POSITION B)



DETAIL A
 SCALE 3:1



SEE NOTES ON SHEET 2

1738245-1
 PART NUMBER

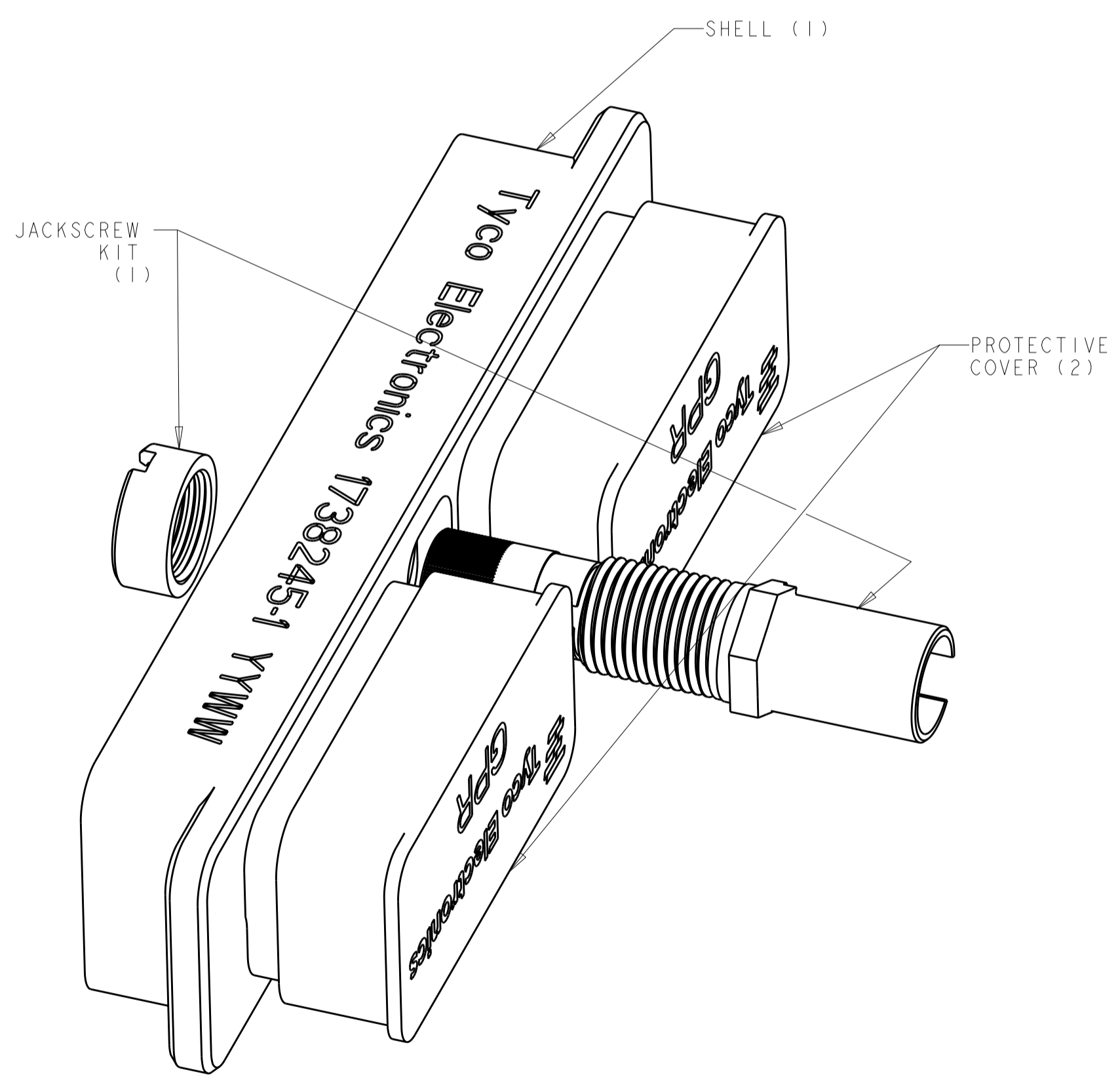
THIS DRAWING IS A CONTROLLED DOCUMENT FOR TYCO ELECTRONICS CORPORATION <small>IT IS SUBJECT TO CHANGE AND THE CONTROLLING ENGINEERING ORGANIZATION SHOULD BE CONTACTED FOR THE LATEST REVISION.</small>		DWN BH	40CT06	Tyco Electronics Harrisburg, PA 17105-3608	NAME PLUG SHELL KIT, WITH A-F JACKSCREW, GPRB2	
DIMENSIONS: mm		CHK JPM	40CT06			
TOLERANCES UNLESS OTHERWISE SPECIFIED: 0 PLC ± 1 PLC ±0.1 2 PLC ±0.05 3 PLC ± 4 PLC ± ANGLES ±1 FINISH		APVD JPM	40CT06	SIZE A200779	CAGE CODE C-1738245	
MATERIAL 1 -		PRODUCT SPEC -	APPLICATION SPEC -	DRAWING NO 1738245	RESTRICTED TO -	
CUSTOMER DRAWING		WEIGHT -	SCALE 1:1	SHEET 1	OF 2	REV A

THIS DRAWING IS UNPUBLISHED. RELEASED FOR PUBLICATION
 © COPYRIGHT BY TYCO ELECTRONICS CORPORATION. ALL RIGHTS RESERVED.

LOC		DIST		REVISIONS			
P	LTR	DESCRIPTION	DATE	DWN	APVD		
-	-	SEE SHEET 1	-	-	-		

- ① SHELL: ALUMINUM ALLOY 6061 T651
 INSERT RETENTION CLIP & JACKSCREW SLEEVE: COPPER ALLOY PER ASTM B194
 JACKSCREW KEY, CENTER LOCK, & RETAINING NUT: STAINLESS STEEL PER AISI 316
 PROTECTIVE COVER: THERMOPLASTIC ELASTOMER
- ② SHELL: ELECTROLESS NICKEL PER SAE AMS-C-26074, CLASS 1.
- ③ MARKED WITH TE LOGO, PART NO. & DATE CODE - YEAR & WEEK (YY WW)
- ④ INDEXING POINT FOR POLARIZATION.
- ⑤ SHELL CAVITY FOR GPRB SERIES INSERTS WITH KEYING CODE A.
- ⑥ SHELL CAVITY FOR GPRB SERIES INSERTS WITH KEYING CODE B.
- ⑦ PROTECTIVE COVERS NOT SHOWN FOR CLARITY.
- ⑧ THE JACKSCREW AND RETAINING NUT ARE SHIPPED UNASSEMBLED.
 THE CUSTOMER SHALL APPLY LOCTITE® PRODUCT 272 THREADLOCKING ADHESIVE
 WHEN INSTALLING THESE ON THE SHELL ASSEMBLY. LOCTITE® IS A
 REGISTERED TRADEMARK OF HENKEL CORPORATION.
- ⑨ THE JACKSCREW KIT, TE P/N 1738205-1, IS ALSO AVAILABLE SEPARATELY.
- ⑩ A SPANNER WRENCH TOOL, TE P/N 1738220-1 (WITH 1/4-in ADAPTER)
 OR 1738221-1 (WITH T-HANDLE), IS USED TO LOCK THE RETAINING NUT.
 RECOMMENDED LOCKING TORQUE: 1.5 N-m [13 in-lb].

- 11. DESCRIPTIVE PART NUMBER: GPRB2PB12N
 SERIES: GPRB
 SHELL SIZE: 2 (TWO-CAVITY SHELL)
 SHELL STYLE: P (PLUG)
 MODIFICATION CODE: B (NO MOUNTING HOLES)
 LOCKING & POLARIZING DEVICE: 1 (JACKSCREW)
 POLARIZATION CODE: 2 (A-FJACKSCREW HARDWARE SHIPPED UNASSEMBLED)
 SHELL PLATING: N (NICKEL PLATING)
- 12. THIS PRODUCT IS SOLD BY TYCO ELECTRONICS UNDER A LICENSE FROM RADIAL SA.



SCALE 3:1

THIS DRAWING IS A CONTROLLED DOCUMENT FOR TYCO ELECTRONICS CORPORATION IT IS SUBJECT TO CHANGE AND THE CONTROLLING ENGINEERING ORGANIZATION SHOULD BE CONTACTED FOR THE LATEST REVISION.		DWN	BH	40CT06	Tyco Electronics Harrisburg, PA 17105-3608
DIMENSIONS:		CHK	JPM	40CT06	
TOLERANCES UNLESS OTHERWISE SPECIFIED:		APVD	JPM	40CT06	
mm		PRODUCT SPEC		NAME	
0 PLC ±- 1 PLC ±0.1 2 PLC ±0.05 3 PLC ±- 4 PLC ±- ANGLES ±1 FINISH		APPLICATION SPEC		PLUG SHELL KIT, WITH A-F JACKSCREW, GPRB2	
MATERIAL		WEIGHT	A200779		SIZE
-		-	C-1738245		CAGE CODE
		CUSTOMER DRAWING		SCALE	DRAWING NO
				1:1	RESTRICTED TO
				SHEET 2 OF 2	-
				REV A	