



Chipsmall Limited consists of a professional team with an average of over 10 year of expertise in the distribution of electronic components. Based in Hongkong, we have already established firm and mutual-benefit business relationships with customers from,Europe,America and south Asia,supplying obsolete and hard-to-find components to meet their specific needs.

With the principle of “Quality Parts,Customers Priority,Honest Operation,and Considerate Service”,our business mainly focus on the distribution of electronic components. Line cards we deal with include Microchip,ALPS,ROHM,Xilinx,Pulse,ON,Everlight and Freescale. Main products comprise IC,Modules,Potentiometer,IC Socket,Relay,Connector.Our parts cover such applications as commercial,industrial, and automotives areas.

We are looking forward to setting up business relationship with you and hope to provide you with the best service and solution. Let us make a better world for our industry!



Contact us

Tel: +86-755-8981 8866 Fax: +86-755-8427 6832

Email & Skype: info@chipsmall.com Web: www.chipsmall.com

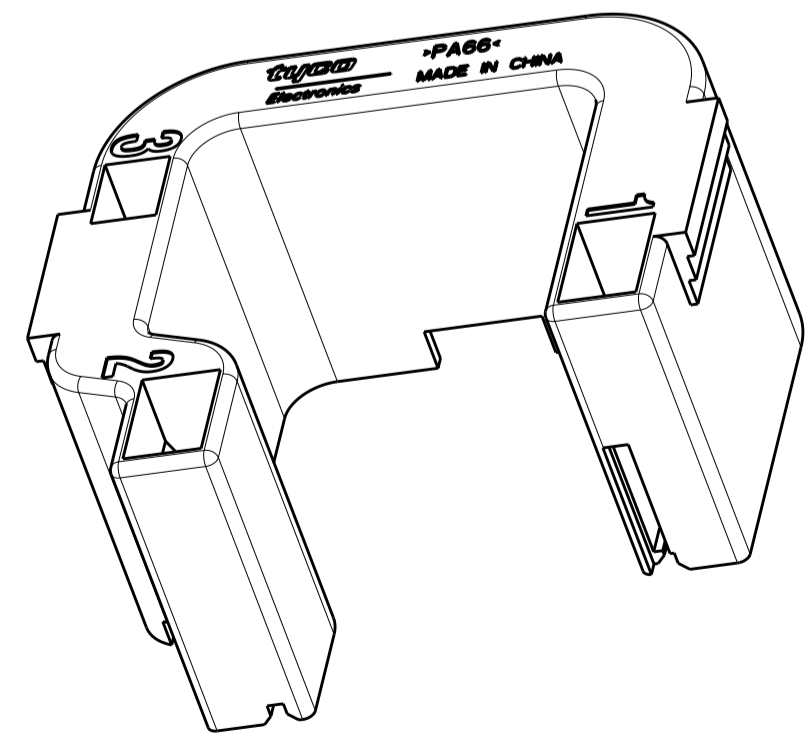
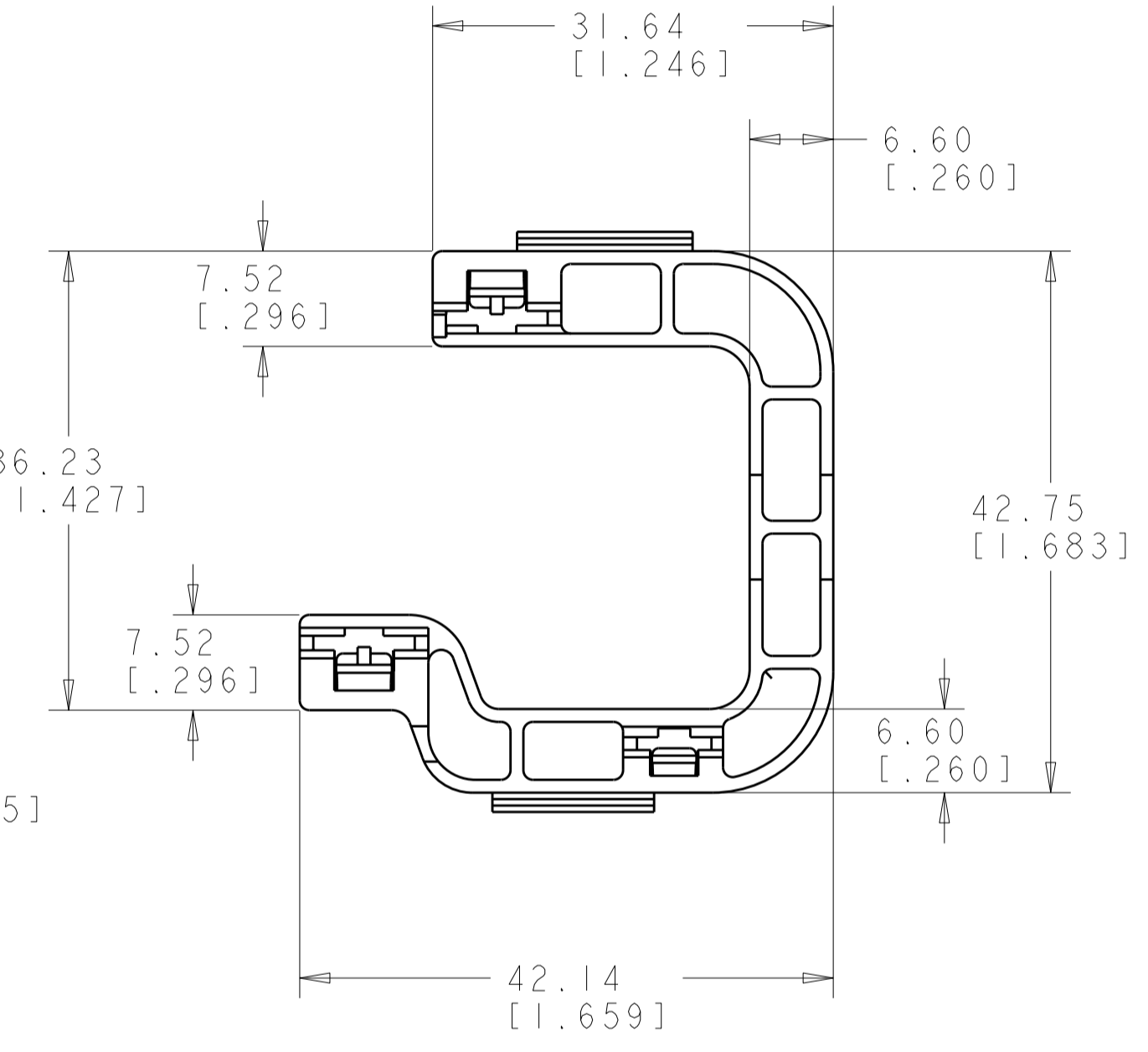
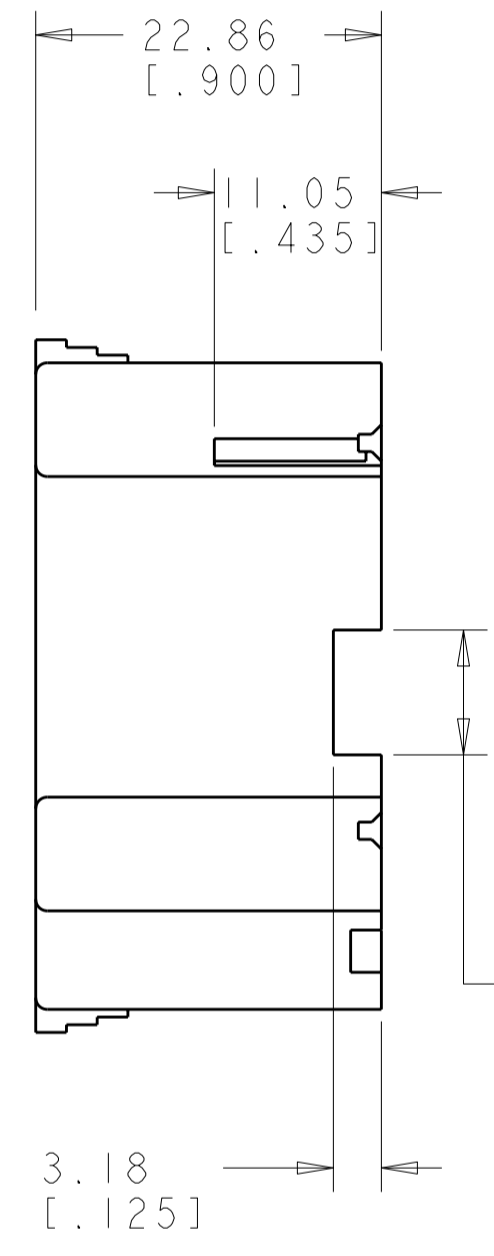
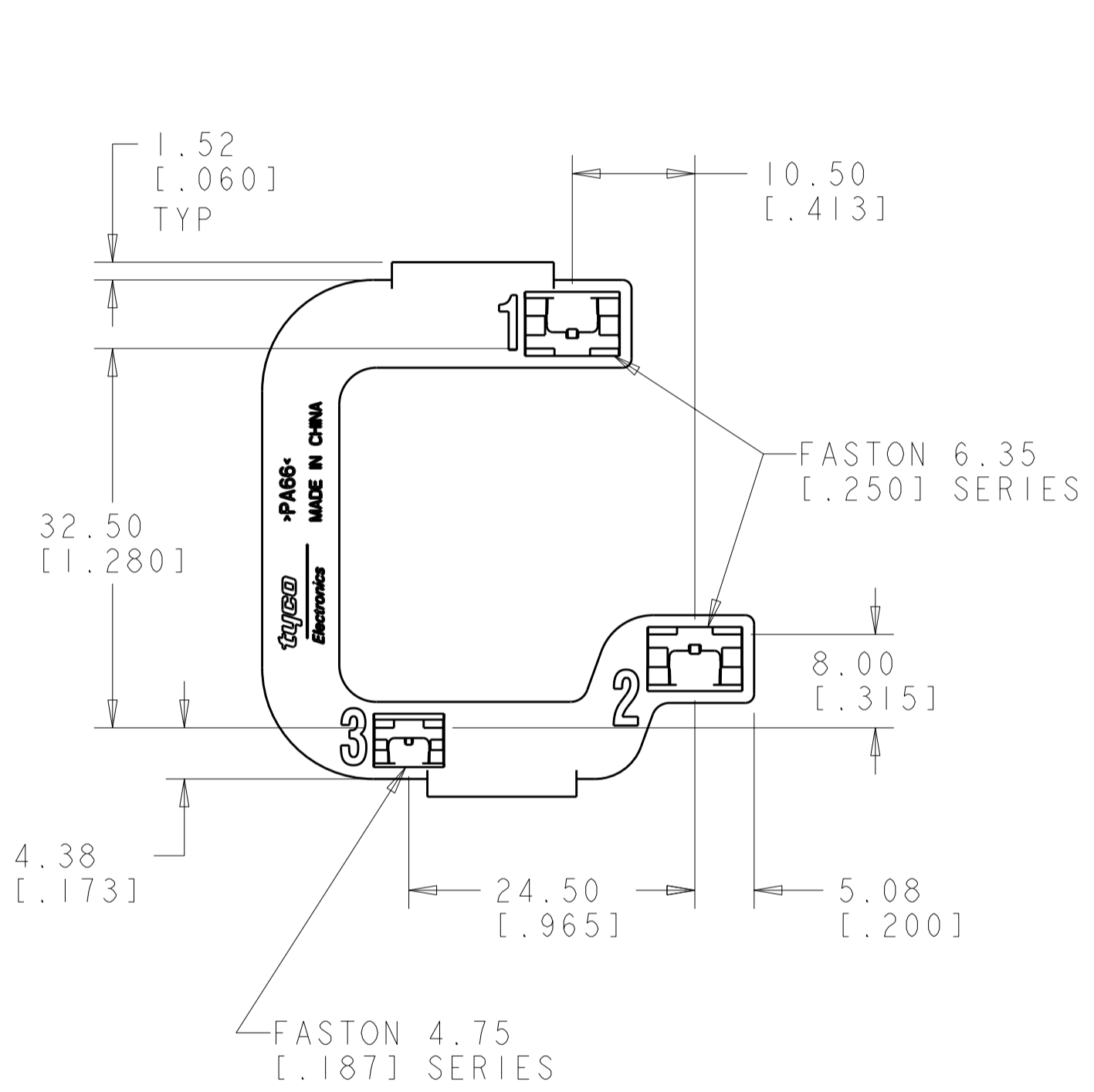
Address: A1208, Overseas Decoration Building, #122 Zhenhua RD., Futian, Shenzhen, China



THIS DRAWING IS UNPUBLISHED. RELEASED FOR PUBLICATION 20
 © COPYRIGHT 20 BY TYCO ELECTRONICS CORPORATION. ALL RIGHTS RESERVED.

LOC		DIST		REVISIONS			
P	LTR	DESCRIPTION	DATE	DWN	APVD		
AF	50	A1	REVISED PER ECR-10-003745	26FE2010	HMR	PD	

1. RECOMMENDED MATING TAB LENGTH IS 9.78 [.385] MIN.
2. RECOMMENDED CENTERLINE SPACING OF TABS TO BE ± 0.127 [.005].
3. MATERIAL: NYLON 66, UL94 V-2, ELECTRICAL RTI 125 °C MIN.



NATURAL	1738473-1
COLOR	PART NUMBER

THIS DRAWING IS A CONTROLLED DOCUMENT FOR TYCO ELECTRONICS CORPORATION. IT IS SUBJECT TO CHANGE AND THE CONTROLLING ENGINEERING ORGANIZATION SHOULD BE CONTACTED FOR THE LATEST REVISION.		DWN	J.C. YOSLER	24OCT2003	Tyco Electronics Harrisburg, PA 17105-3608	
DIMENSIONS:		CHK	M. LAUERMANN	17NOV2003		
TOLERANCES UNLESS OTHERWISE SPECIFIED:		APVD	M. LAUERMANN	02DEC2004		
mm [INCHES]		PRODUCT SPEC				
0 PLC	±	APPLICATION SPEC			NAME	HOUSING, RECEPTACLE FASTON INFINITE SWITCH C
1 PLC	±	WEIGHT			SIZE	A2
2 PLC	±.38 [.015]	CUSTOMER DRAWING			CAGE CODE	00779
3 PLC	±	SCALE	2:1		DRAWING NO	1738473
4 PLC	±	SHEET	1		RESTRICTED TO	-
ANGLES	±2°	OF	1		REV	A1
FINISH	-	REV	A1			