



Chipsmall Limited consists of a professional team with an average of over 10 year of expertise in the distribution of electronic components. Based in Hongkong, we have already established firm and mutual-benefit business relationships with customers from,Europe,America and south Asia,supplying obsolete and hard-to-find components to meet their specific needs.

With the principle of “Quality Parts,Customers Priority,Honest Operation,and Considerate Service”,our business mainly focus on the distribution of electronic components. Line cards we deal with include Microchip,ALPS,ROHM,Xilinx,Pulse,ON,Everlight and Freescale. Main products comprise IC,Modules,Potentiometer,IC Socket,Relay,Connector.Our parts cover such applications as commercial,industrial, and automotives areas.

We are looking forward to setting up business relationship with you and hope to provide you with the best service and solution. Let us make a better world for our industry!



## Contact us

Tel: +86-755-8981 8866 Fax: +86-755-8427 6832

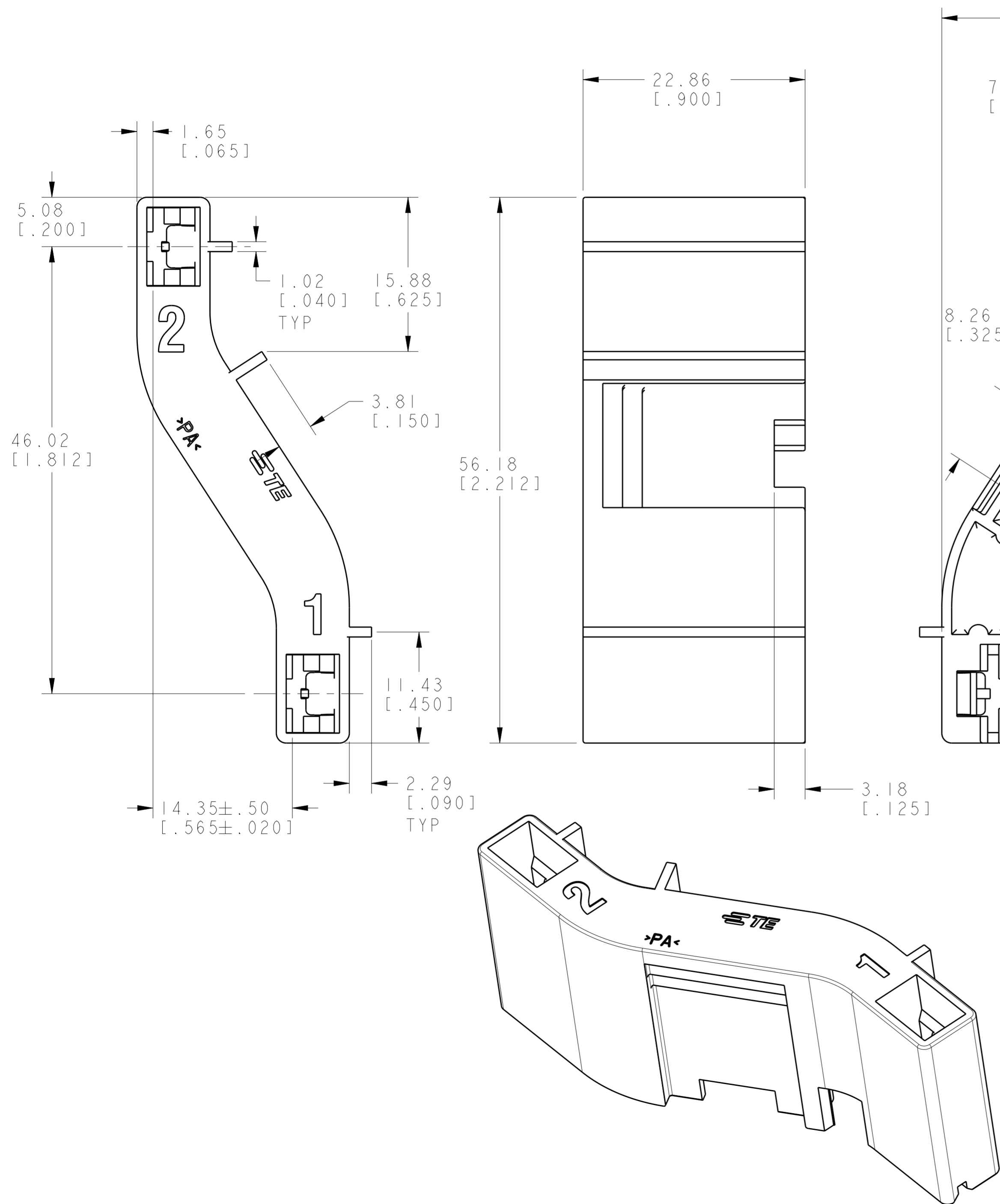
Email & Skype: info@chipsmall.com Web: www.chipsmall.com

Address: A1208, Overseas Decoration Building, #122 Zhenhua RD., Futian, Shenzhen, China



THIS DRAWING IS UNPUBLISHED. RELEASED FOR PUBLICATION 20  
 © COPYRIGHT 20 BY TYCO ELECTRONICS CORPORATION. ALL RIGHTS RESERVED.

LOC	DIST	REVISIONS					
AF	50	P	LTR	DESCRIPTION	DATE	DWN	APVD
				C2 REVISED PER ECO-12-000092	04JAN13	JR	PD



1. RECOMMENDED MATING TAB LENGTH IS 10.03 [.395] MIN.
  2. RECOMMENDED CENTERLINE SPACING OF TABS TO BE ± 0.127 [.005].
- ⚠ MATERIAL: NYLON 66, UL94 V-2, ELECTRICAL RTI 125 °C MIN.

NATURAL	1738475-1
COLOR	PART NUMBER

<small>THIS DRAWING IS A CONTROLLED DOCUMENT FOR TYCO ELECTRONICS CORPORATION. IT IS SUBJECT TO CHANGE AND THE CONTROLLING ENGINEERING ORGANIZATION SHOULD BE CONTACTED FOR THE LATEST REVISION.</small>		DWN MOHAN 06FEB06 CHK M.S. FEHER 10FEB2006 APVD P. DESANTIS 10FEB2006	Tyco Electronics Harrisburg, PA 17105-3608
DIMENSIONS: mm [INCHES]	TOLERANCES UNLESS OTHERWISE SPECIFIED: 0 PLC ± 1 PLC ± 2 PLC ±0.38 [.015] 3 PLC ± 4 PLC ± ANGLES ±2° FINISH	PRODUCT SPEC APPLICATION SPEC WEIGHT	NAME HOUSING, RECEPTACLE FASTON 6.35 [.250] SERIES INFINITE SWITCH B
MATERIAL ⚠	Customer Drawing	SIZE A2 CAGE CODE 00779 DRAWING NO. C-1738475	RESTRICTED TO SCALE 1:1 SHEET 1 OF 1 REV C2