



Chipsmall Limited consists of a professional team with an average of over 10 year of expertise in the distribution of electronic components. Based in Hongkong, we have already established firm and mutual-benefit business relationships with customers from,Europe,America and south Asia,supplying obsolete and hard-to-find components to meet their specific needs.

With the principle of "Quality Parts,Customers Priority,Honest Operation,and Considerate Service",our business mainly focus on the distribution of electronic components. Line cards we deal with include Microchip,ALPS,ROHM,Xilinx,Pulse,ON,Everlight and Freescale. Main products comprise IC,Modules,Potentiometer,IC Socket,Relay,Connector.Our parts cover such applications as commercial,industrial, and automotives areas.

We are looking forward to setting up business relationship with you and hope to provide you with the best service and solution. Let us make a better world for our industry!



Contact us

Tel: +86-755-8981 8866 Fax: +86-755-8427 6832

Email & Skype: info@chipsmall.com Web: www.chipsmall.com

Address: A1208, Overseas Decoration Building, #122 Zhenhua RD., Futian, Shenzhen, China



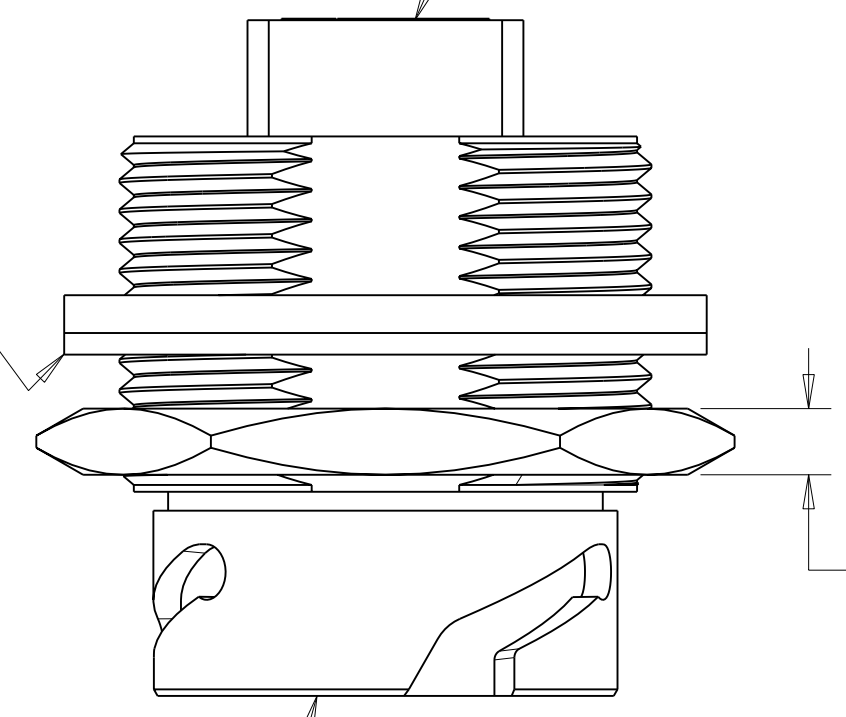
THIS DRAWING IS UNPUBLISHED. RELEASED FOR PUBLICATION 20
 © COPYRIGHT 20 BY TYCO ELECTRONICS CORPORATION. ALL RIGHTS RESERVED.

LOC		DIST		REVISIONS					
FT		0		P	LTR	DESCRIPTION	DATE	DWN	APVD
				A		RELEASED	17JUN05	DF	SH
				-		-	-	-	-
				-		-	-	-	-
				-		-	-	-	-

- 1. CONNECTOR MAY BE FRONT OR REAR MOUNTED TO A MAXIMUM PANEL THICKNESS OF 3.2 mm.
- 2. COUPLER LINES CROSSOVER BETWEEN PORTS.
- 3. THIS PRODUCT HAS NOT COMPLETED VALIDATION TESTING.
- 4. PANEL NUT AND PANEL GASKET ARE PACKAGED UNASSEMBLED IN POLYBAG.

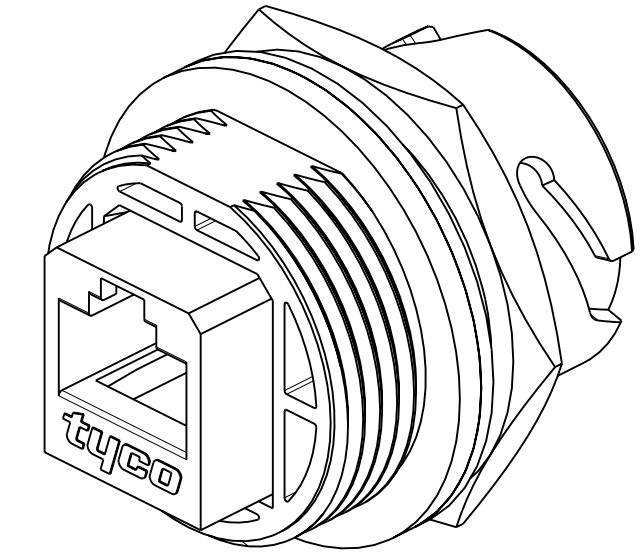
CAT 5e COUPLER
 RJ-45, 8 POSITION
 MATERIAL:
 HOUSING-THERMOPLASTIC
 CONTACTS-PHOSPHOR BRONZE
 FINISH: CONTACTS
 GOLD OVER NICKEL

1 PANEL GASKET
 MATERIAL: ELASTOMER
 COLOR: BLACK

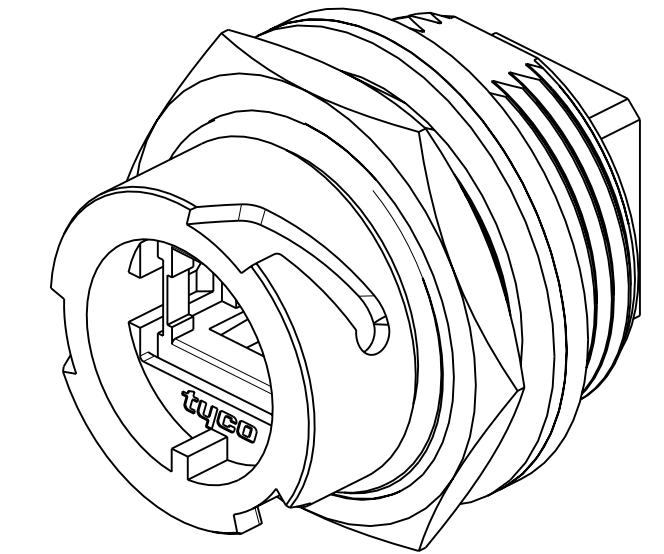


3.5
 PANEL NUT
 MATERIAL: BRASS
 FINISH: NICKEL

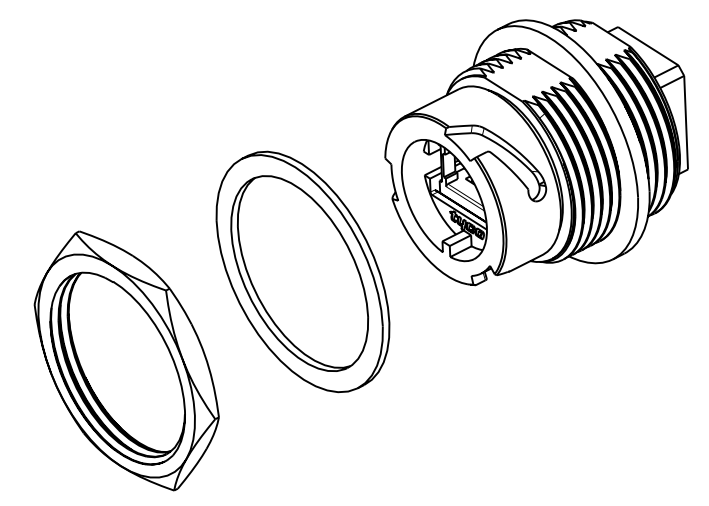
RECEPTACLE HOUSING
 MATERIAL: POLYESTER
 COLOR: BLACK



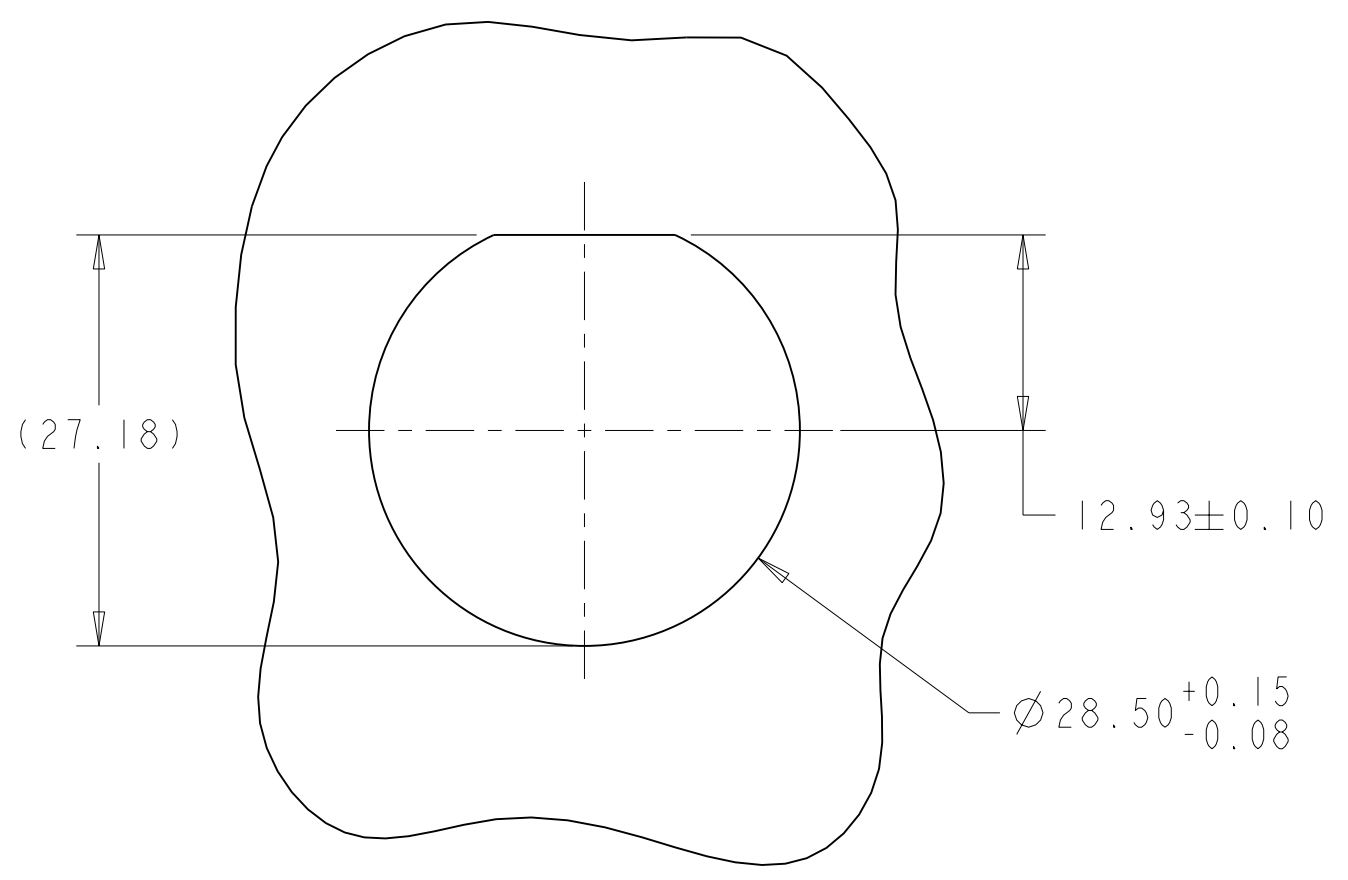
SCALE 2:1



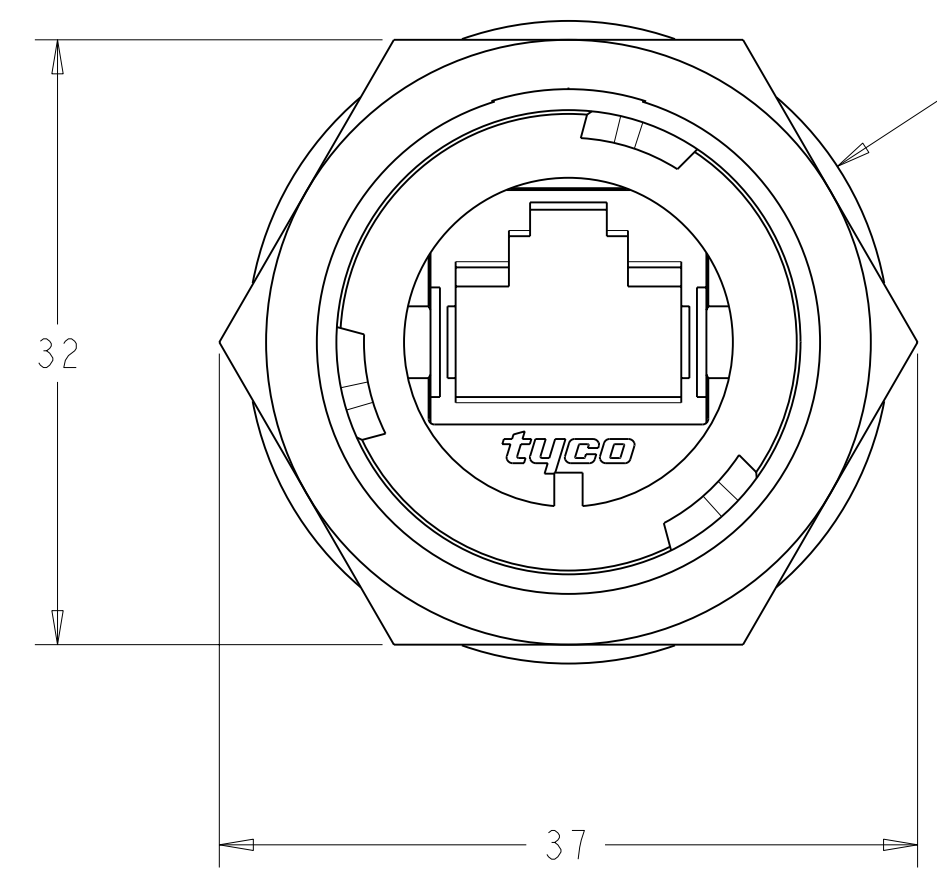
SCALE 2:1



SCALE 1:1

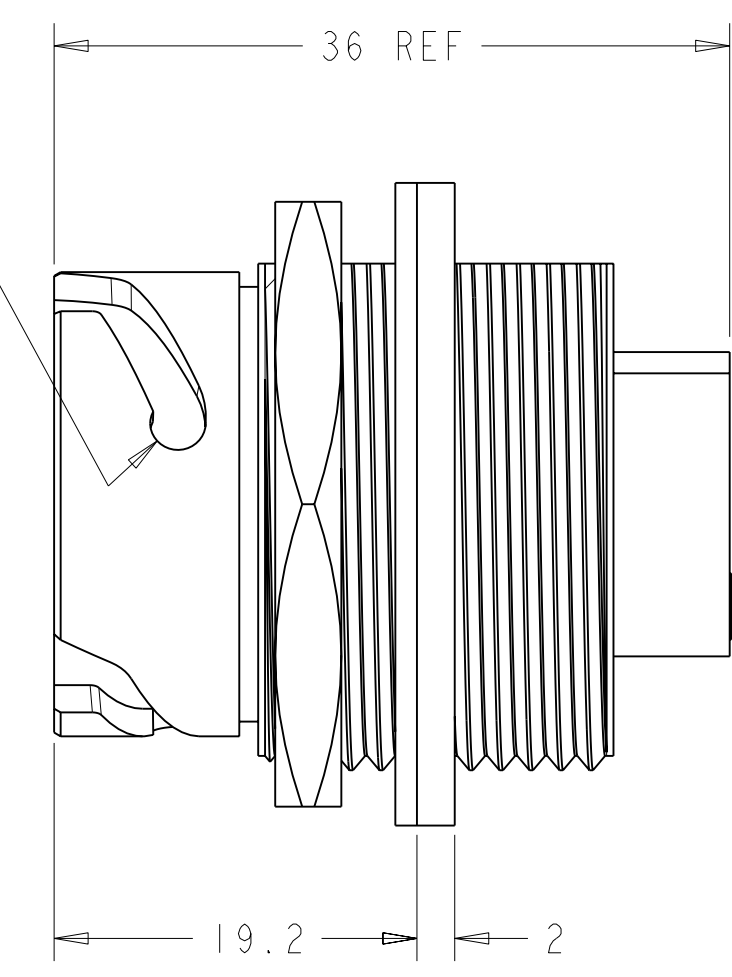


SUGGESTED PANEL CUTOUT



Ø34.0
 PANEL FLANGE

BAYONET LOCK



1738601-1
 PART NUMBER

<small>THIS DRAWING IS A CONTROLLED DOCUMENT FOR TYCO ELECTRONICS CORPORATION. IT IS SUBJECT TO CHANGE AND THE CONTROLLING ENGINEERING ORGANIZATION SHOULD BE CONTACTED FOR THE LATEST REVISION.</small>		DWN R.L.KOLLER 25MAR04 CHK J.LANDIS 26MAR04 APVD S.HEADER 17JUN	tyco Electronics Tyco Electronics Harrisburg, PA 17105-3608
DIMENSIONS: mm 	TOLERANCES UNLESS OTHERWISE SPECIFIED: 0 PLC ±0.3 1 PLC ±0.2 2 PLC ±0.10 3 PLC ± 4 PLC ± ANGLES ±1° FINISH	NAME PRODUCT SPEC 108-2198 APPLICATION SPEC 114-13136 WEIGHT CUSTOMER DRAWING	RECEPTACLE KIT, INDUSTRIAL CIRCULAR ETHERNET CONNECTOR SIZE A2 CAGE CODE 00779 DRAWING NO C=1738601 RESTRICTED TO SCALE 5:2 SHEET 1 OF 1 REV A