



Chipsmall Limited consists of a professional team with an average of over 10 year of expertise in the distribution of electronic components. Based in Hongkong, we have already established firm and mutual-benefit business relationships with customers from,Europe,America and south Asia,supplying obsolete and hard-to-find components to meet their specific needs.

With the principle of “Quality Parts,Customers Priority,Honest Operation,and Considerate Service”,our business mainly focus on the distribution of electronic components. Line cards we deal with include Microchip,ALPS,ROHM,Xilinx,Pulse,ON,Everlight and Freescale. Main products comprise IC,Modules,Potentiometer,IC Socket,Relay,Connector.Our parts cover such applications as commercial,industrial, and automotives areas.

We are looking forward to setting up business relationship with you and hope to provide you with the best service and solution. Let us make a better world for our industry!



Contact us

Tel: +86-755-8981 8866 Fax: +86-755-8427 6832

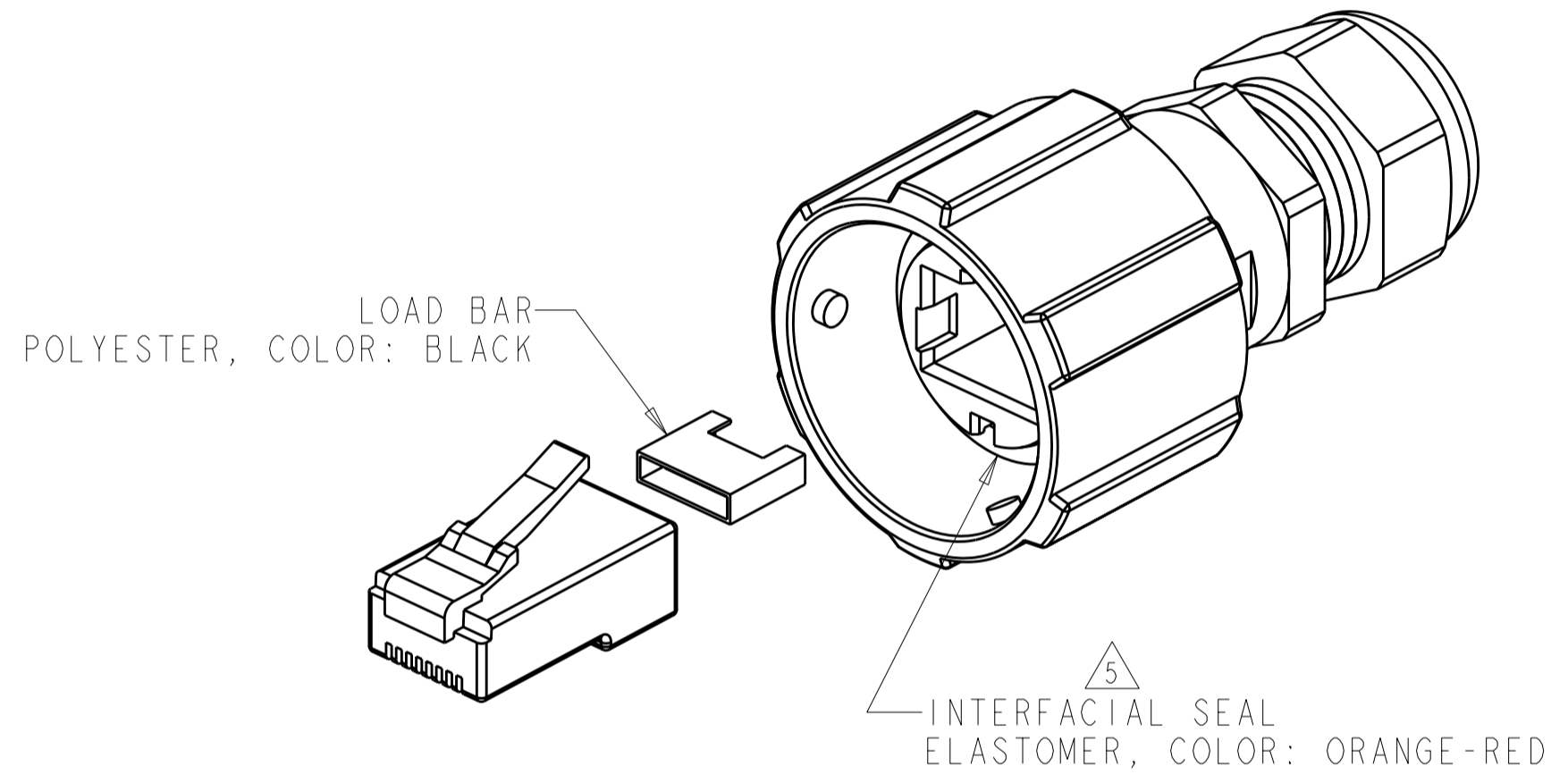
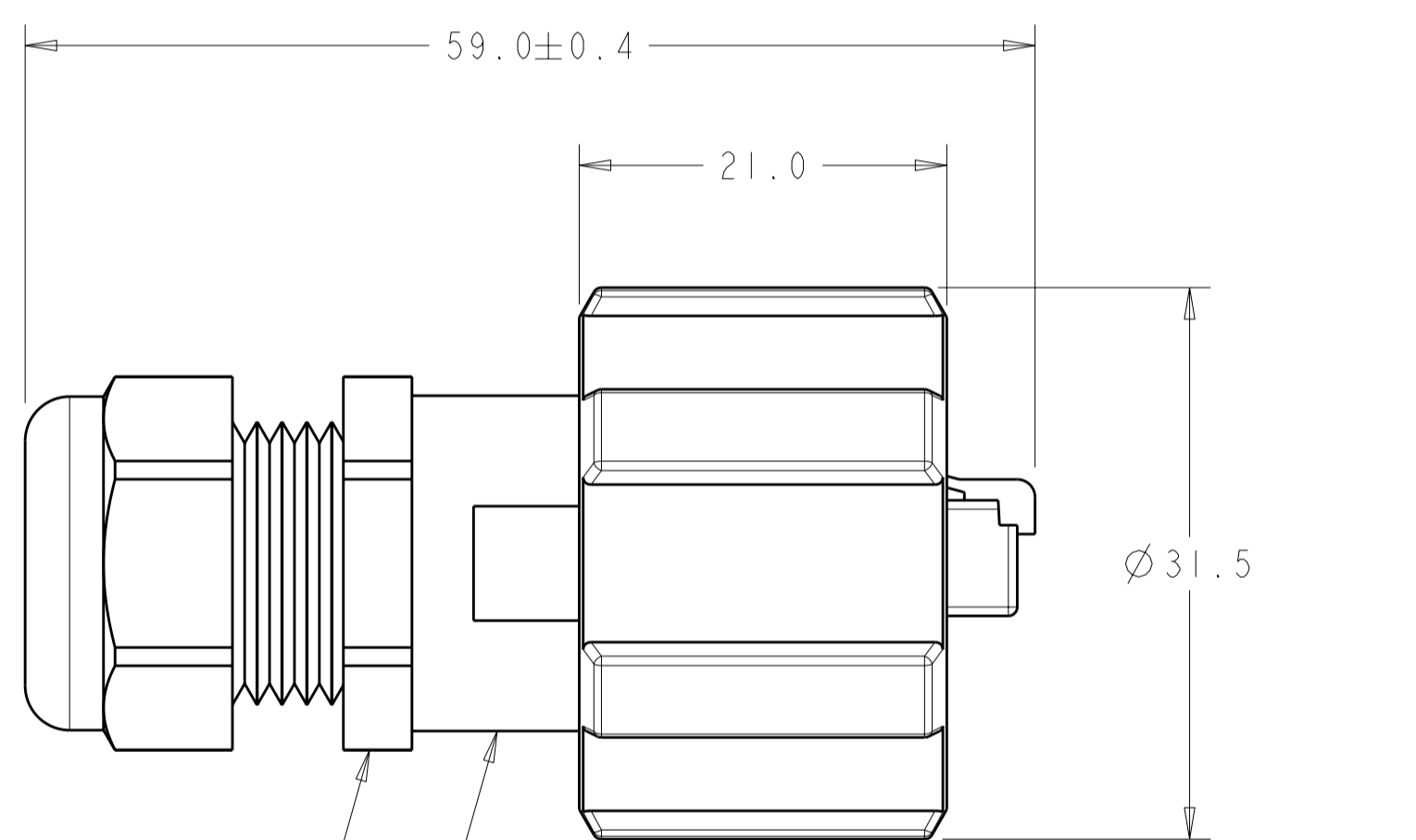
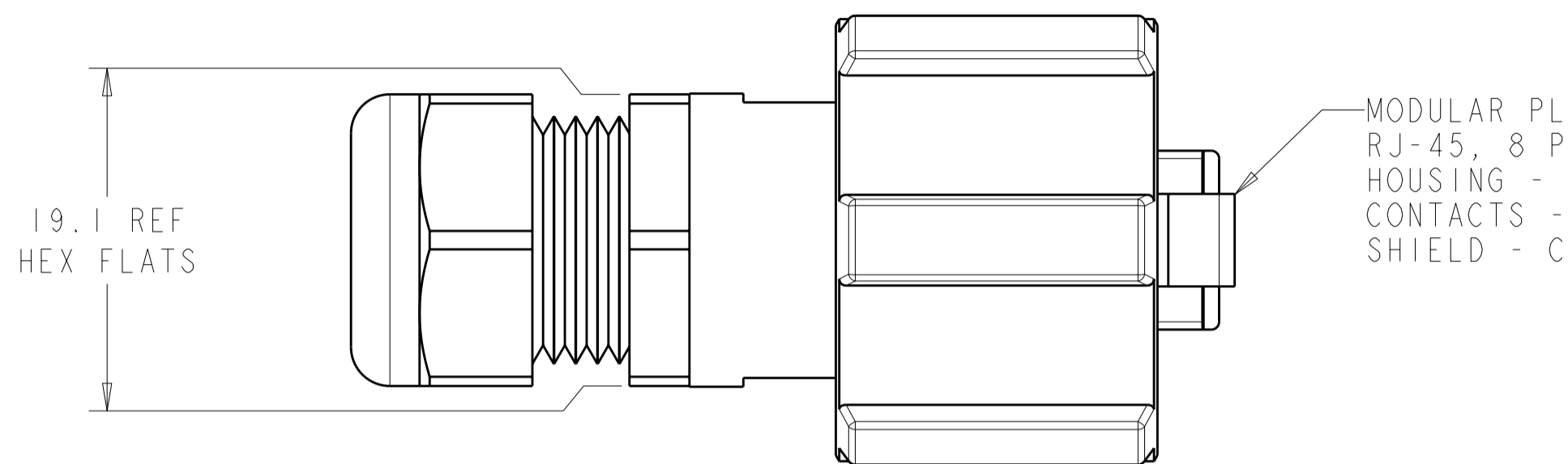
Email & Skype: info@chipsmall.com Web: www.chipsmall.com

Address: A1208, Overseas Decoration Building, #122 Zhenhua RD., Futian, Shenzhen, China



THIS DRAWING IS UNPUBLISHED. RELEASED FOR PUBLICATION 2011
 © COPYRIGHT 2011 ALL RIGHTS RESERVED.

LOC	DIST	REVISIONS			
P	LTR	DESCRIPTION	DATE	DWN	APVD
FT	0	CI	REVISED PER ECO-11-005027	14MAY2011	RK HMR



SCALE 2:1

- ① CABLE FITTING AND ELASTOMER COLOR: BLACK
- ④ PLUG HOUSING POLYESTER, COLOR: BLACK
- COUPLING RING POLYESTER, COLOR: BLACK

- ① CABLE DIAMETER RANGE, 4.6 mm TO 7.9 mm, CABLE FITTING ONLY, SEE APPLICATION SPECIFICATION FOR PLUG TERMINATION INFORMATION
- 2. THIS PRODUCT HAS NOT COMPLETED VALIDATION TESTING.
- 3. PARTS PACKAGED UNASSEMBLED IN POLYBAG.
- ④ GEOMETRY CAN VARY.
- ⑤ ELASTOMER SEAL IS SECURED TO HOUSING WITH ADHESIVE.

DESCRIPTION	CONDUCTOR TYPE	PART NUMBER
SHIELDED	24-26 AWG STRANDED	1738607-4
	24-26 AWG SOLID	1738607-3
UNSHIELDED	24 AWG STRANDED	1738607-2
	24 AWG SOLID	1738607-1

THIS DRAWING IS A CONTROLLED DOCUMENT.

DIMENSIONS: mm	TOLERANCES UNLESS OTHERWISE SPECIFIED:	DWN R.L. KOLLER 25MAR04	CHK J. LANDIS 26MAR04	APVD S. HEADER 17JUN05	NAME
	0 PLC ±0.3	PRODUCT SPEC			PLUG ASSEMBLY
	1 PLC ±0.2	APPLICATION SPEC			INDUSTRIAL CIRCULAR
	2 PLC ±0.10	WEIGHT			ETHERNET CONNECTOR
	3 PLC ±	SIZE			A2
	4 PLC ±	CAGE CODE			00779
	ANGLES ±1°	DRAWING NO			1738607
	FINISH	RESTRICTED TO			-
MATERIAL		CUSTOMER DRAWING			SCALE 5:2
		SHEET 1 OF 1			REV CI

STE TE Connectivity