



Chipsmall Limited consists of a professional team with an average of over 10 year of expertise in the distribution of electronic components. Based in Hongkong, we have already established firm and mutual-benefit business relationships with customers from,Europe,America and south Asia,supplying obsolete and hard-to-find components to meet their specific needs.

With the principle of “Quality Parts,Customers Priority,Honest Operation,and Considerate Service”,our business mainly focus on the distribution of electronic components. Line cards we deal with include Microchip,ALPS,ROHM,Xilinx,Pulse,ON,Everlight and Freescale. Main products comprise IC,Modules,Potentiometer,IC Socket,Relay,Connector.Our parts cover such applications as commercial,industrial, and automotives areas.

We are looking forward to setting up business relationship with you and hope to provide you with the best service and solution. Let us make a better world for our industry!



Contact us

Tel: +86-755-8981 8866 Fax: +86-755-8427 6832

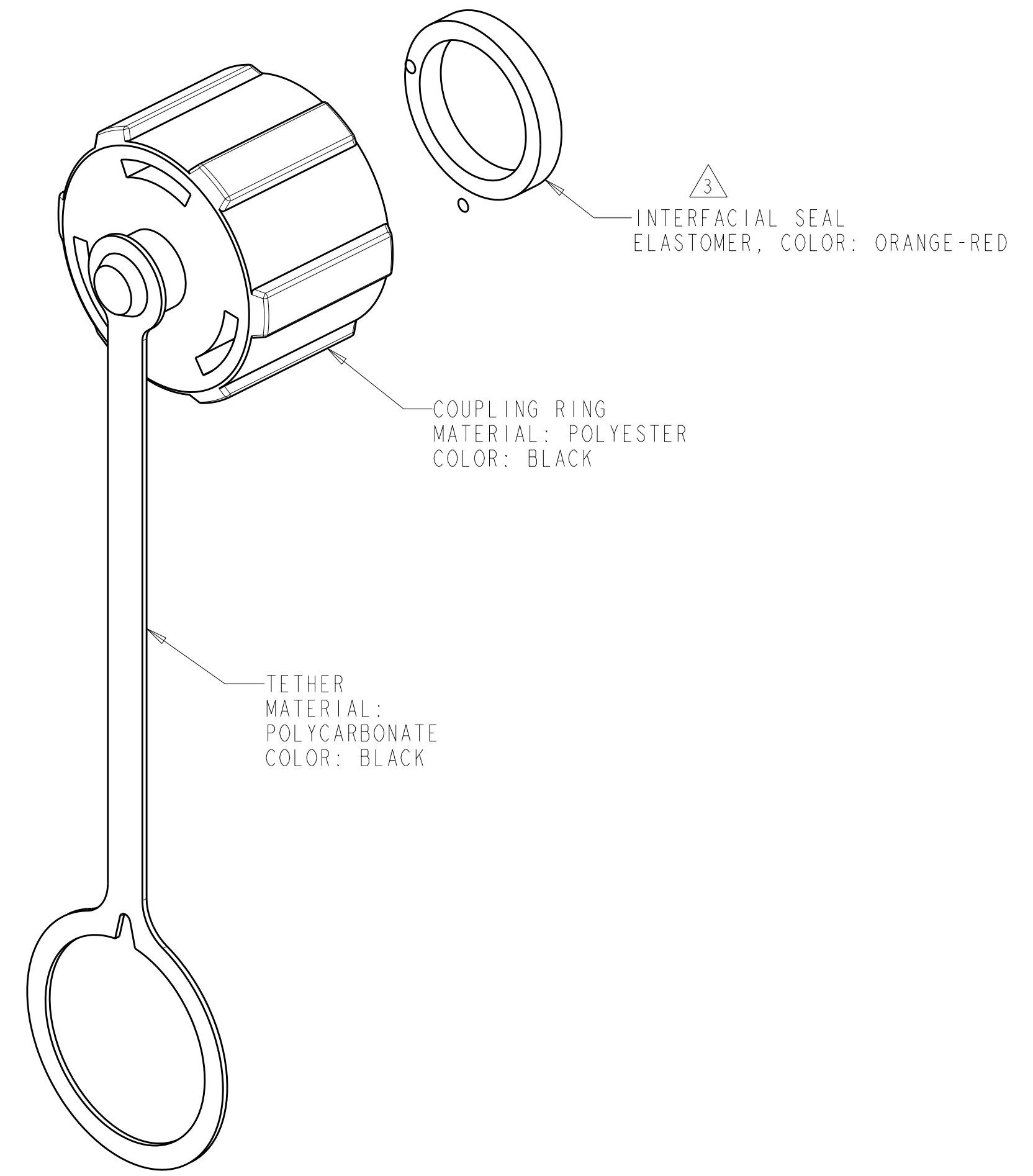
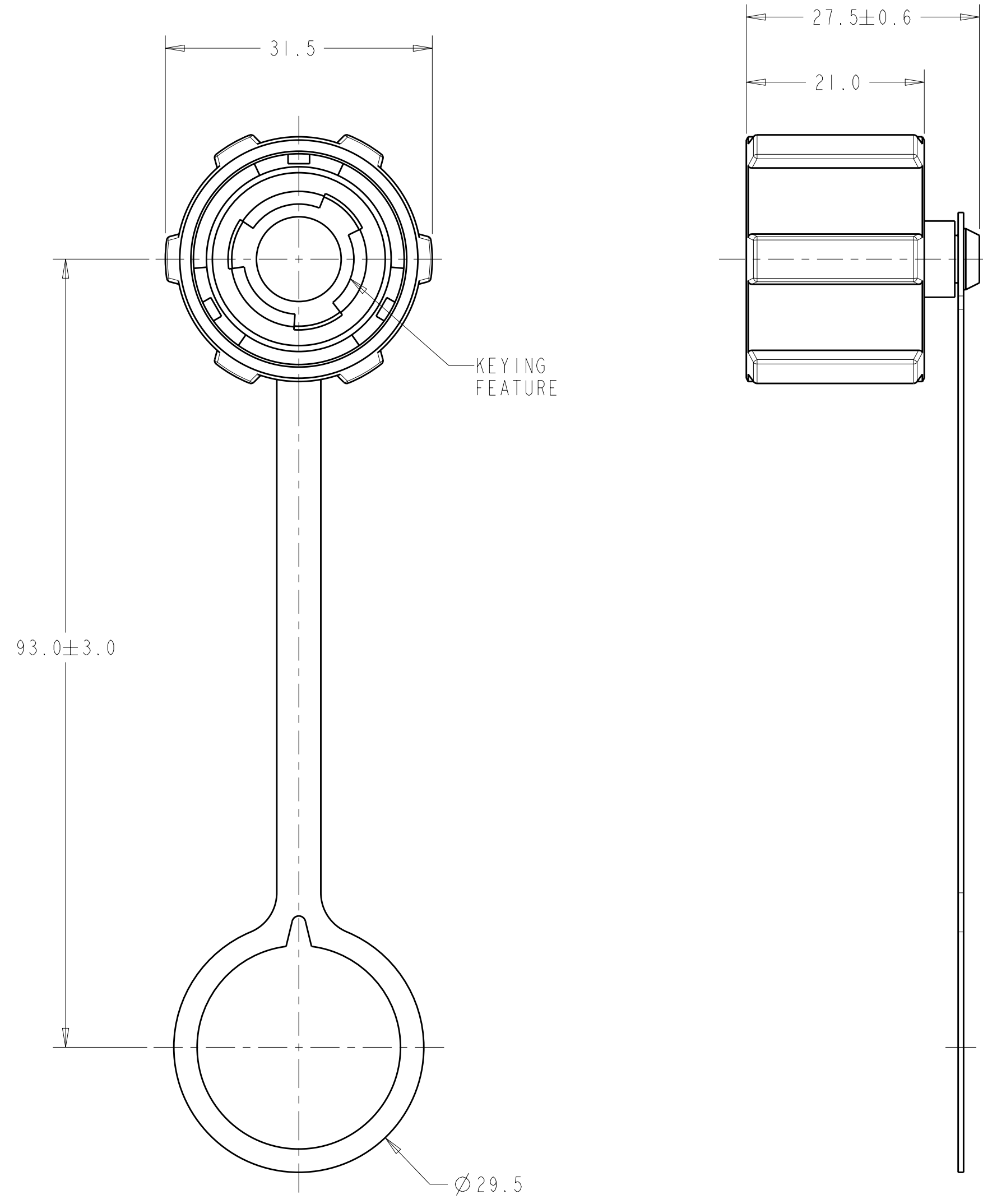
Email & Skype: info@chipsmall.com Web: www.chipsmall.com

Address: A1208, Overseas Decoration Building, #122 Zhenhua RD., Futian, Shenzhen, China



THIS DRAWING IS UNPUBLISHED. RELEASED FOR PUBLICATION 20
 © COPYRIGHT 20 ALL RIGHTS RESERVED.

LOC		DIST		REVISIONS			
P	LTR	DESCRIPTION	DATE	DWN	APVD		
	B2	REVISED PER ECO-11-005027	18MAY2011	RK	HMR		



1. THIS PRODUCT HAS NOT COMPLETED VALIDATION TESTING.
 2. PACKAGED IN POLYBAG.
- SEAL IS SECURED TO COUPLING RING WITH ADHESIVE.

1738611-1
 PART NUMBER

THIS DRAWING IS A CONTROLLED DOCUMENT.		DWN R.L. KOLLER 25MAR04	TE Connectivity	
		CHK J. LANDIS 26MAR04		
		APVD S. HEADER 17JUN05	NAME PROTECTIVE COVER ASSEMBLY, RECEPTACLE, INDUSTRIAL CIRCULAR ETHERNET CONNECTOR	
DIMENSIONS: mm		TOLERANCES UNLESS OTHERWISE SPECIFIED:	PRODUCT SPEC 108-2198	SIZE A2
		0 PLC ±0.3 1 PLC ±0.2 2 PLC ±0.10 3 PLC ± 4 PLC ±	APPLICATION SPEC 114-13136	CAGE CODE 00779
MATERIAL		ANGLES ±° FINISH	WEIGHT -	DRAWING NO 1738611
			CUSTOMER DRAWING	RESTRICTED TO -
			SCALE 2:1	SHEET 1 OF 1 REV B2