



Chipsmall Limited consists of a professional team with an average of over 10 year of expertise in the distribution of electronic components. Based in Hongkong, we have already established firm and mutual-benefit business relationships with customers from,Europe,America and south Asia,supplying obsolete and hard-to-find components to meet their specific needs.

With the principle of “Quality Parts,Customers Priority,Honest Operation,and Considerate Service”,our business mainly focus on the distribution of electronic components. Line cards we deal with include Microchip,ALPS,ROHM,Xilinx,Pulse,ON,Everlight and Freescale. Main products comprise IC,Modules,Potentiometer,IC Socket,Relay,Connector.Our parts cover such applications as commercial,industrial, and automotives areas.

We are looking forward to setting up business relationship with you and hope to provide you with the best service and solution. Let us make a better world for our industry!



Contact us

Tel: +86-755-8981 8866 Fax: +86-755-8427 6832

Email & Skype: info@chipsmall.com Web: www.chipsmall.com

Address: A1208, Overseas Decoration Building, #122 Zhenhua RD., Futian, Shenzhen, China



LOC	DIST	REVISIONS			
P	LTN	DESCRIPTION	DATE	DWN	APVD
A		NEW DRAWING	01AUG2013	KH	MB

1. COUPLER DESIGNED TO MEET TO MEET:
 ANSI/TIA/EIA-568-B.2, CATEGORY 5E
 IEC 60603-7, A8F, VARIANT 03
 FCC PART 68
 UL 1863

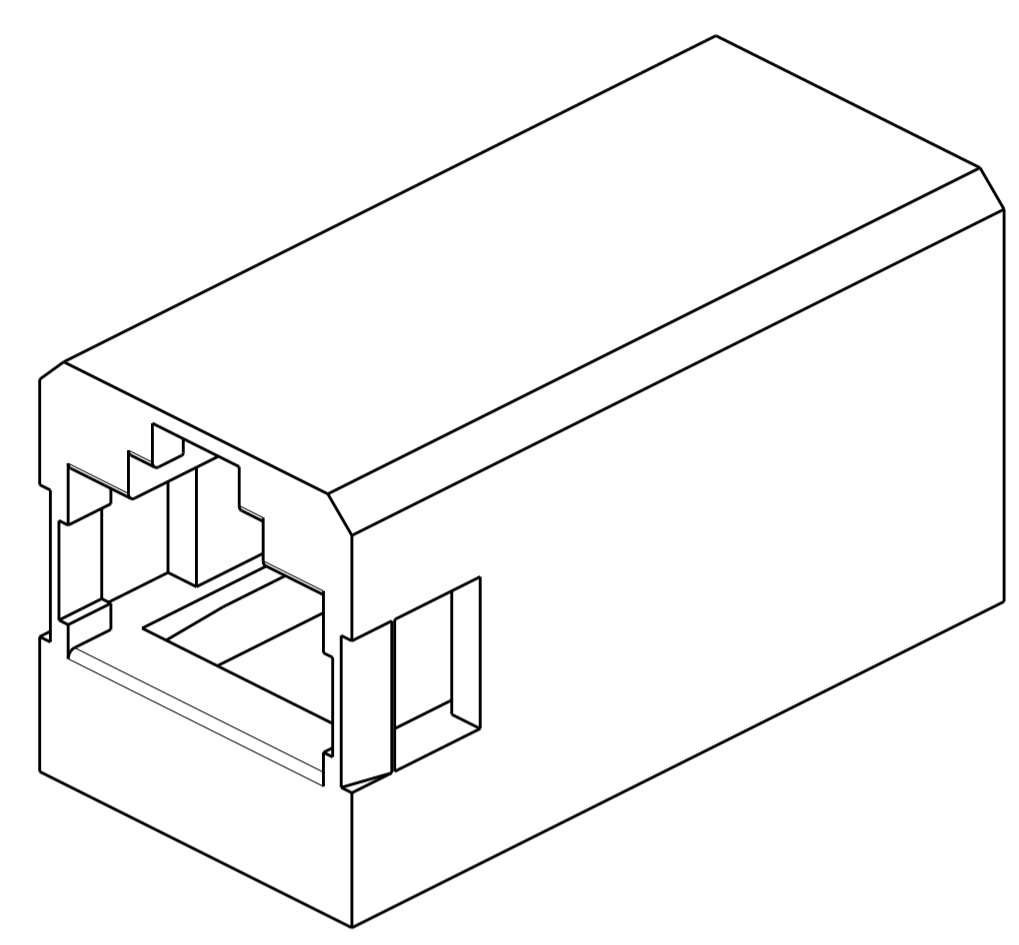
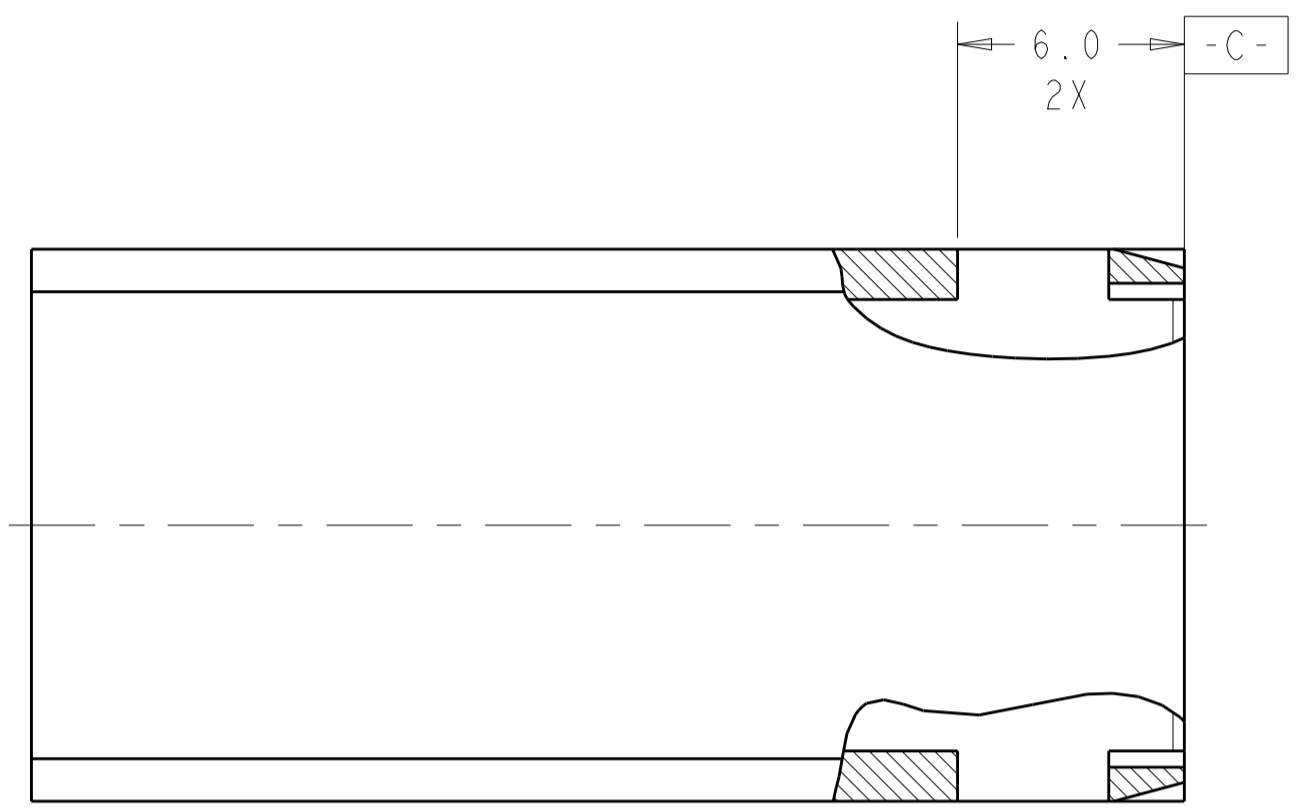
2. MATERIAL:
 JACK HOUSING:
 UL V-0 RATED AT 1.5mm THICKNESS, ABS, GE CYCOLAC FR15U OR EQUIVALENT,
 UL RTI RATING TO BE 85°C FOR ELECTRICAL
 AND MECHANICAL (WITHOUT IMPACT), COLOR BLACK.

CONTACTS:
 PHOSPHOR BRONZE, PLATED WITH 1.27 μm MIN
 GOLD PER ASTM B488 TYPE 2 GRADE B OVER 2.54 μm MIN NICKEL PER QQ-N-290.
 CONTACT LIFE TO BE 750 INSERTIONS AND EXTRACTIONS MINIMUM.

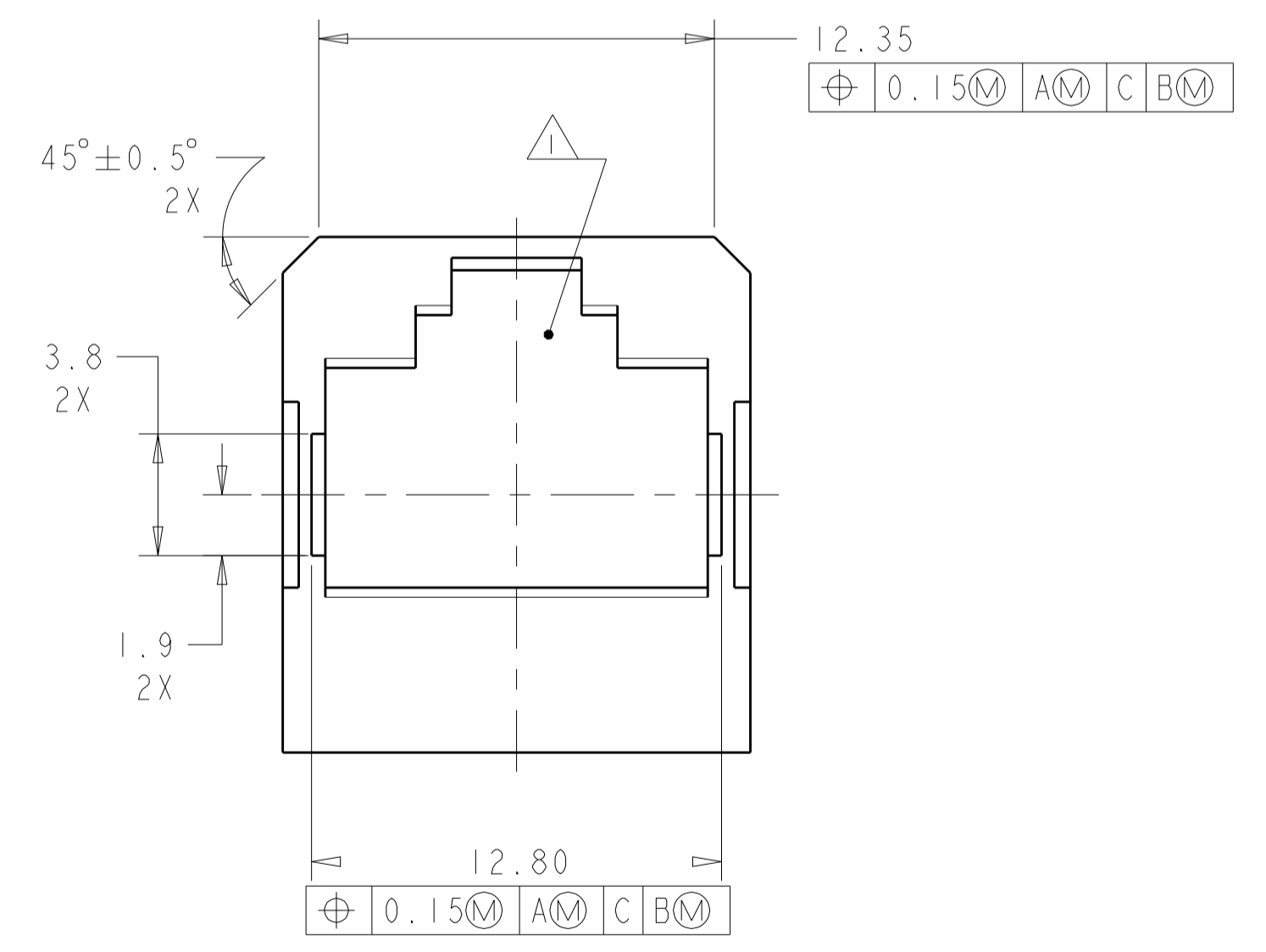
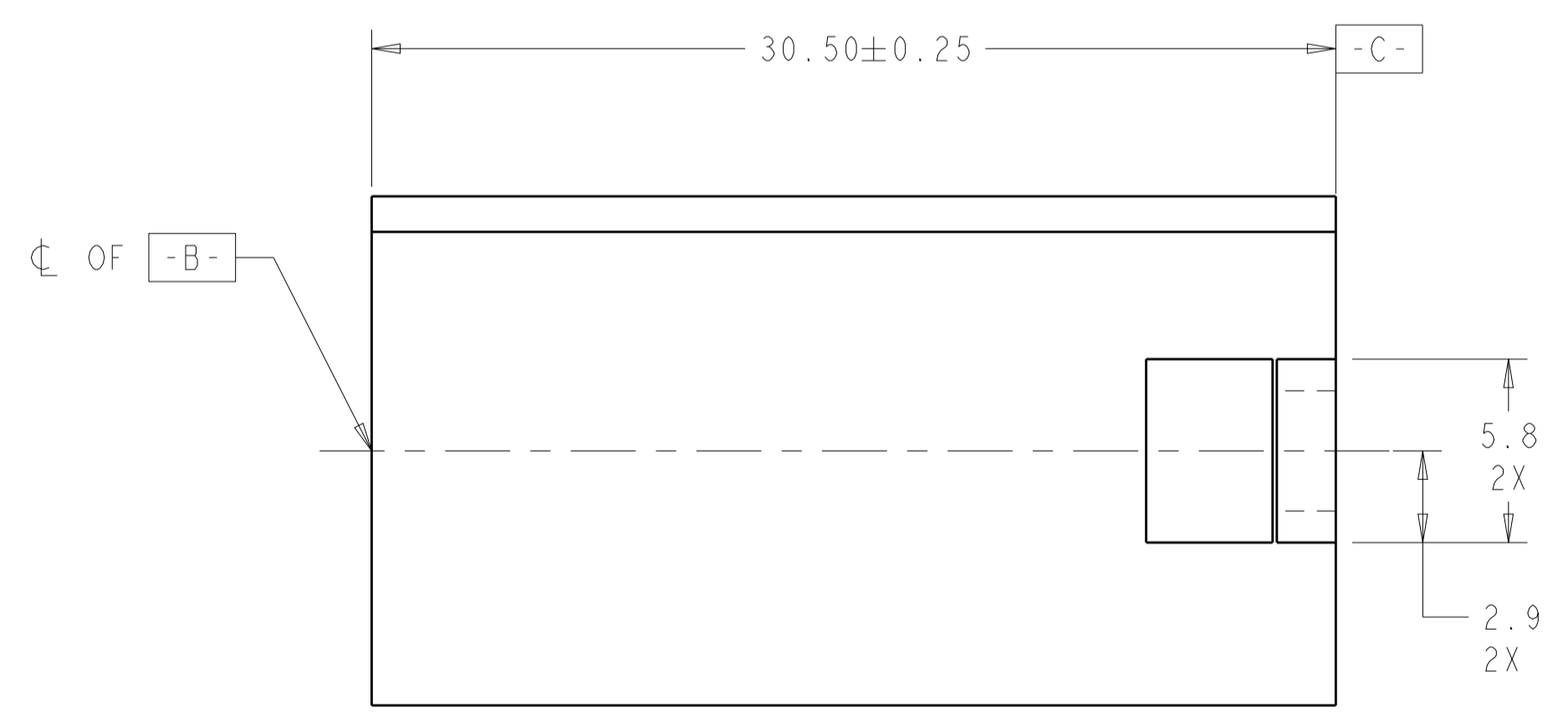
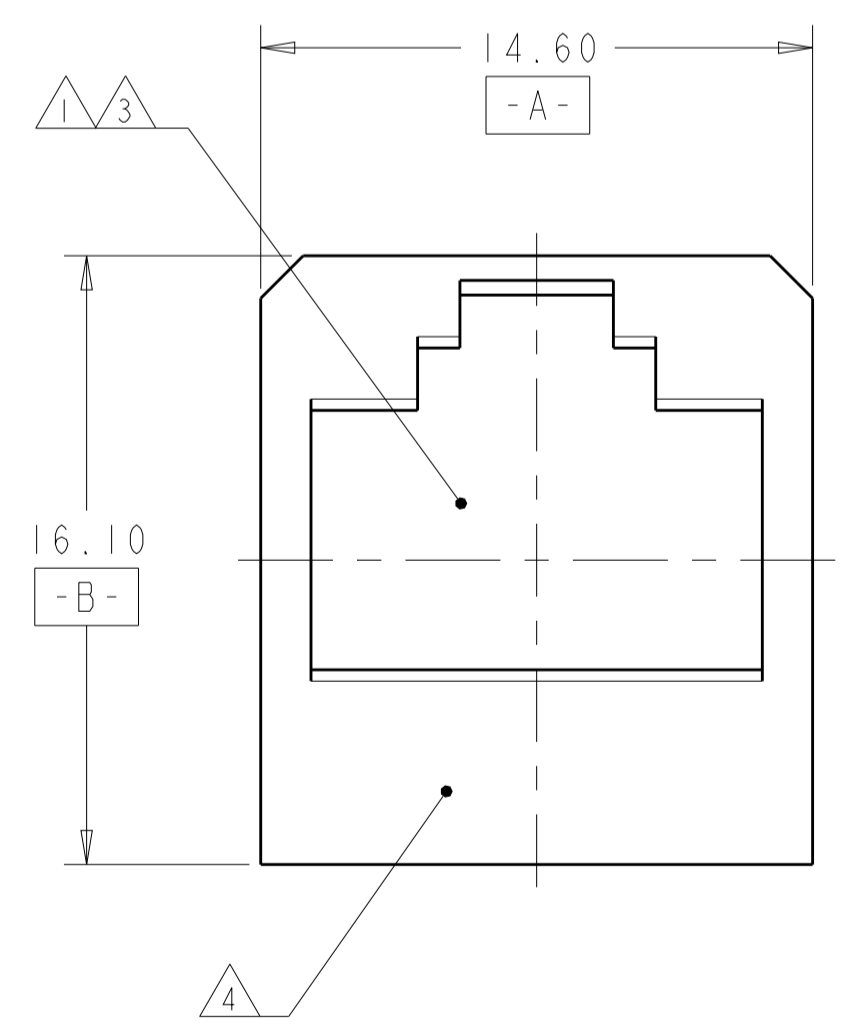
3. COUPLER CONTACTS ARE STRAIGHT PINNED TO THEIR RESPECTIVE CONTACTS
 PIN 1-1, 2-2, 3-3, ETCETERA.

4. TE LOGO IN LOCATION SHOWN
 RAISED 0.08 TO 0.015

5. COMPLIES WITH DIRECTIVE 2002/95/EC
 (ROHS - RESTRICTIONS ON THE USE OF CERTAIN HAZARDOUS SUBSTANCES)
 TO BE LEAD FREE.



SCALE 4:1



REMARKS	1738612-1
	PART NUMBER

THIS DRAWING IS A CONTROLLED DOCUMENT.		DWN: KIRAN HOLAL 01AUG2013	TE Connectivity NAME: COUPLER ASSEMBLY, MODULAR JACK, INDUSTRIAL CIRCULAR ETHERNET CONNECTOR
DIMENSIONS:		CHK: BRUBAKER MARK 01AUG2013	
mm	0 PLC ±0.2	APVD: BRUBAKER MARK 01AUG2013	PRODUCT SPEC
	1 PLC ±0.08		APPLICATION SPEC
	2 PLC ±0.08		SIZE: A1
	3 PLC ±0.08		CAGE CODE: 00779
	4 PLC ±0.08		DRAWING NO: 1738612
	ANGLES ±0.1°		RESTRICTED TO: -
MATERIAL: -	FINISH: -	WEIGHT: -	Customer Drawing
		SCALE: 5:1	SHEET 1 OF 1
			REV: A