



Chipsmall Limited consists of a professional team with an average of over 10 year of expertise in the distribution of electronic components. Based in Hongkong, we have already established firm and mutual-benefit business relationships with customers from,Europe,America and south Asia,supplying obsolete and hard-to-find components to meet their specific needs.

With the principle of “Quality Parts,Customers Priority,Honest Operation,and Considerate Service”,our business mainly focus on the distribution of electronic components. Line cards we deal with include Microchip,ALPS,ROHM,Xilinx,Pulse,ON,Everlight and Freescale. Main products comprise IC,Modules,Potentiometer,IC Socket,Relay,Connector.Our parts cover such applications as commercial,industrial, and automotives areas.

We are looking forward to setting up business relationship with you and hope to provide you with the best service and solution. Let us make a better world for our industry!



Contact us

Tel: +86-755-8981 8866 Fax: +86-755-8427 6832

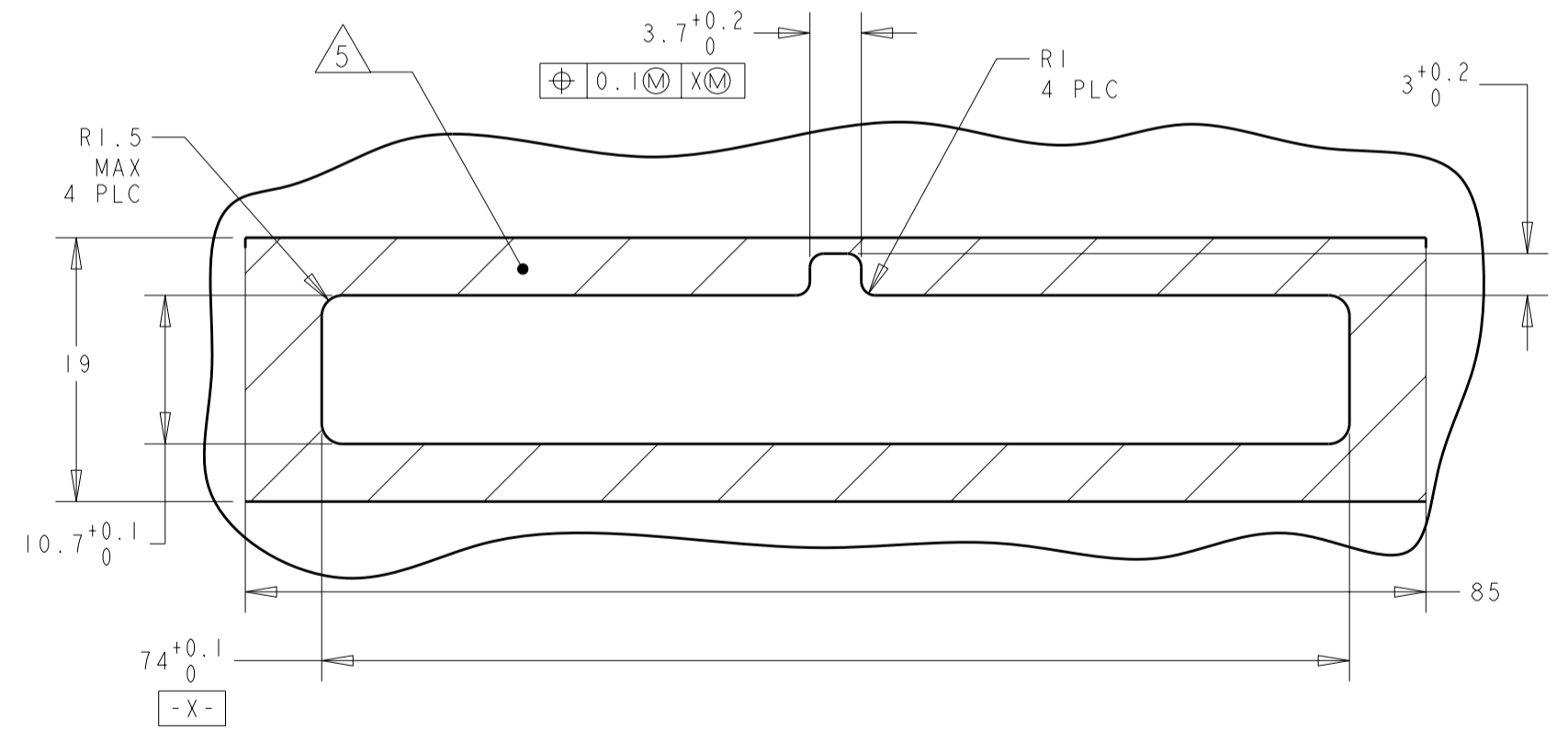
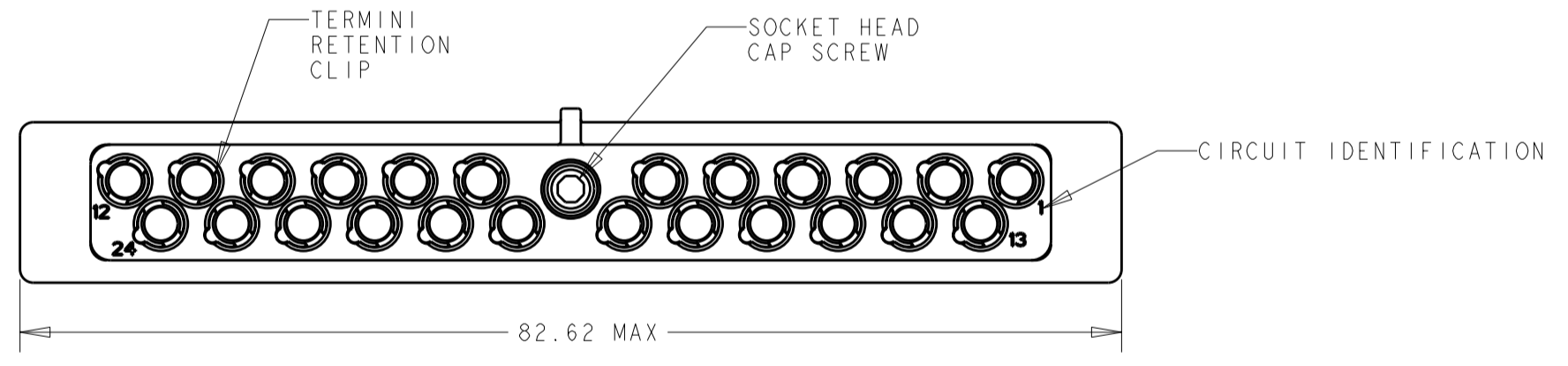
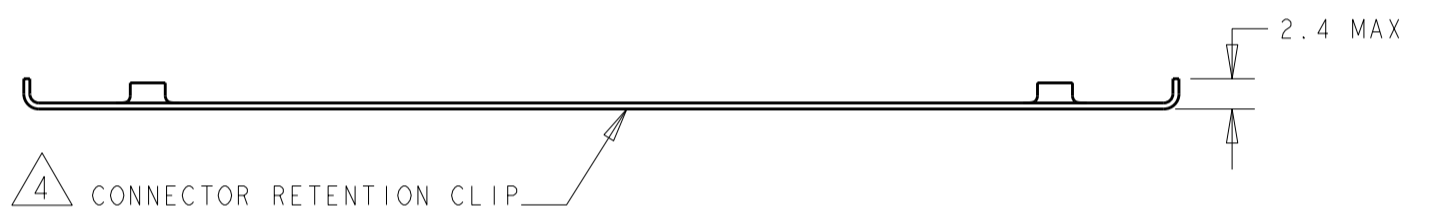
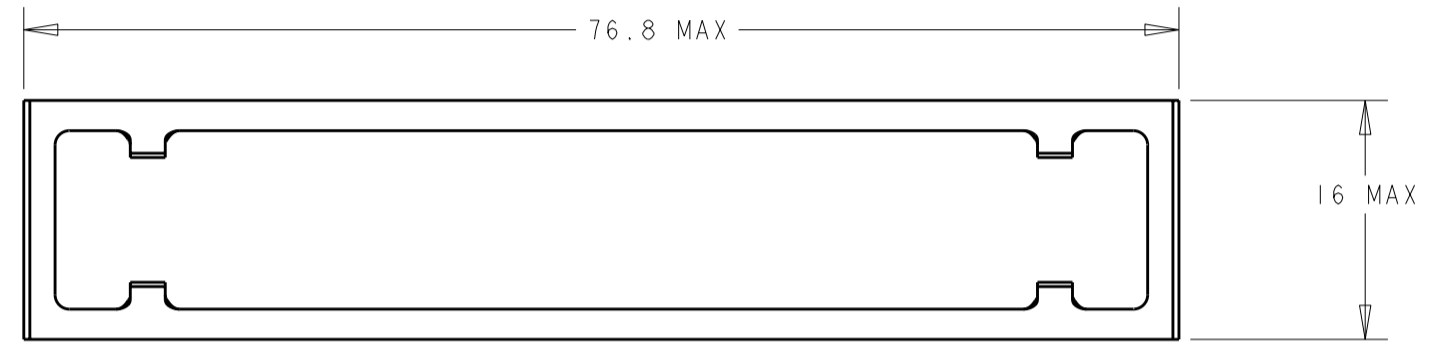
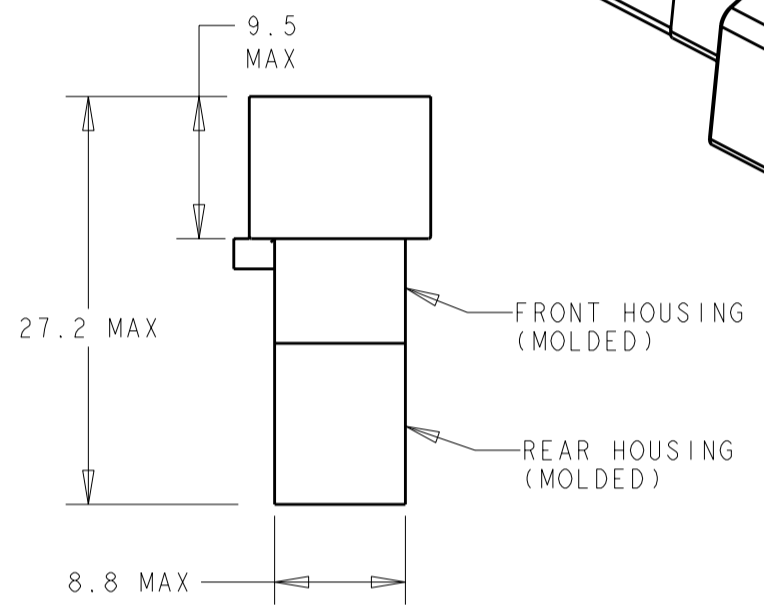
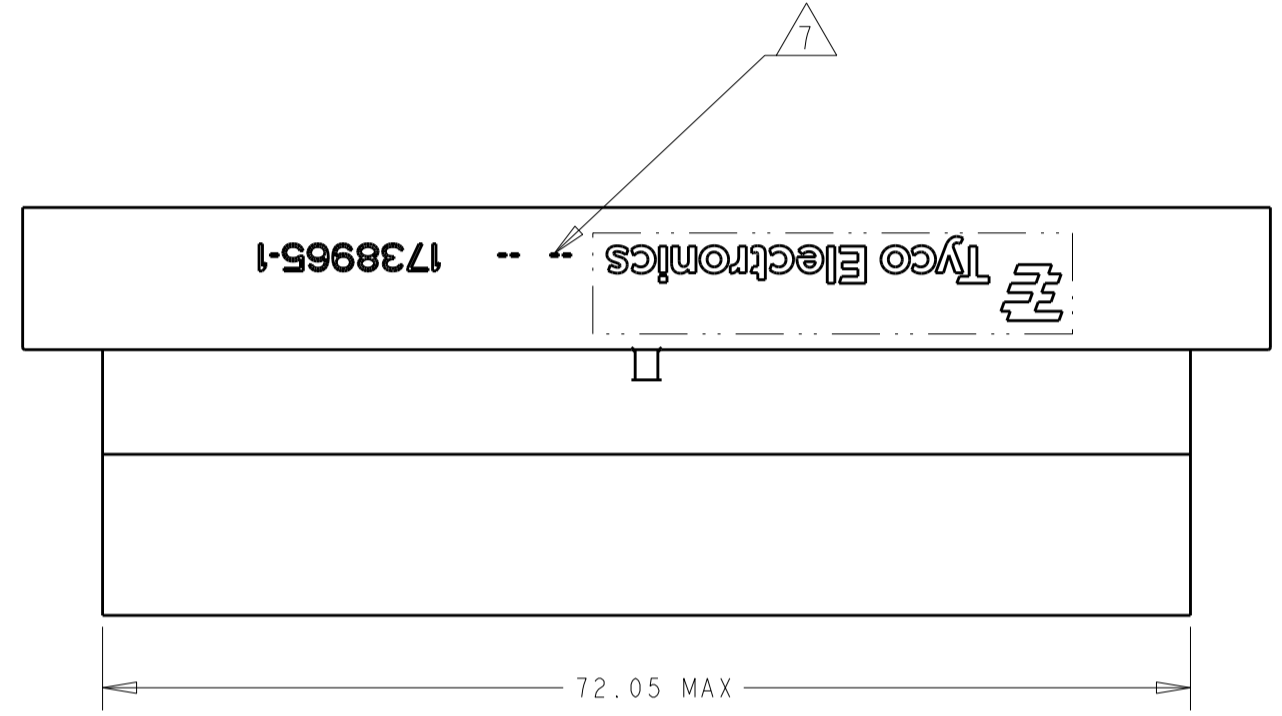
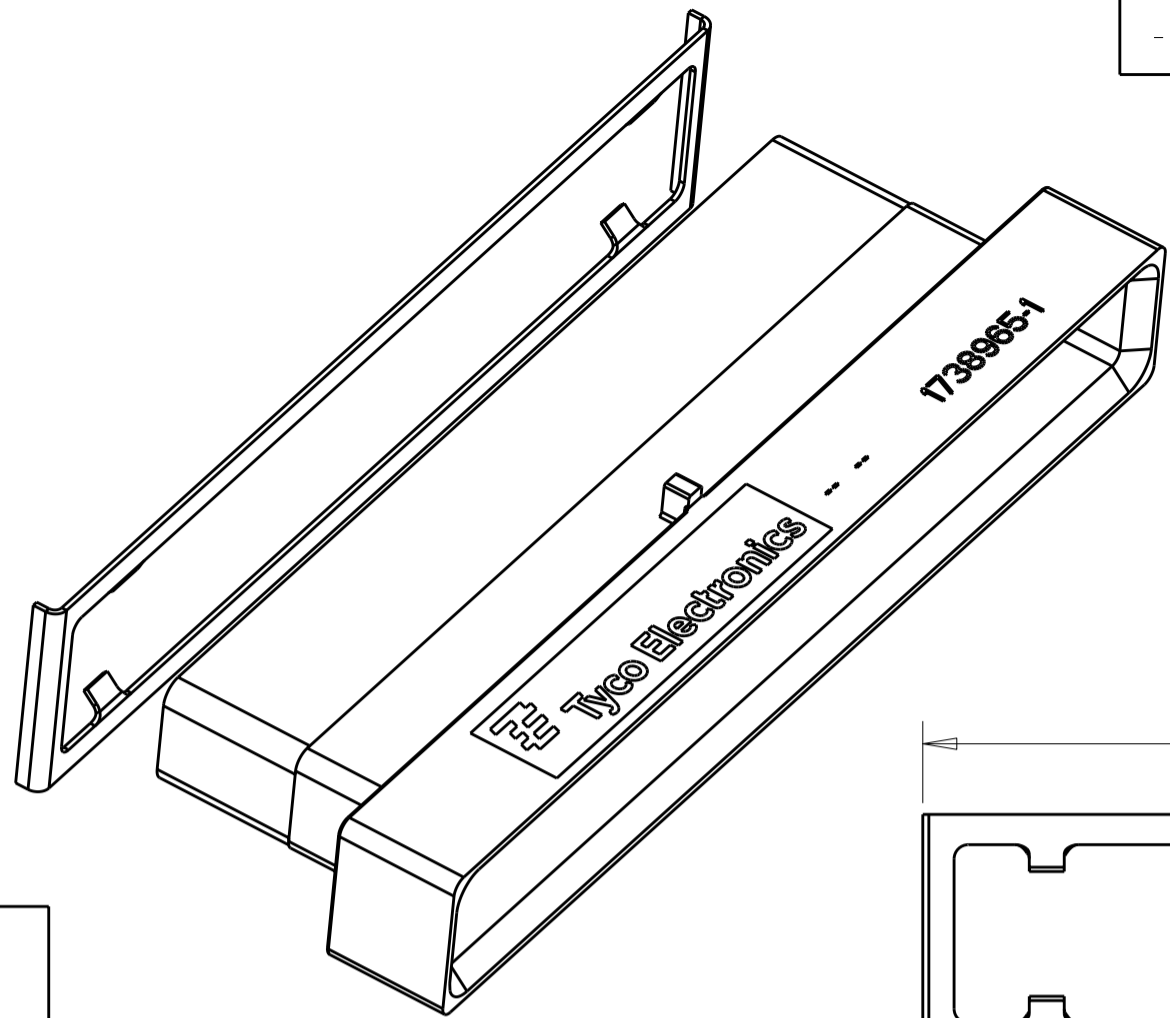
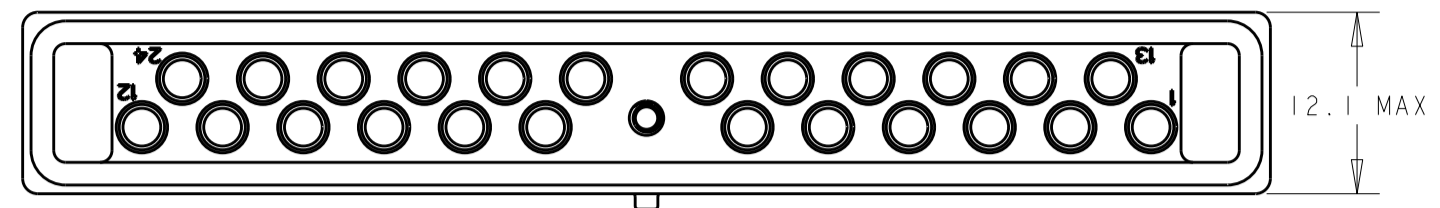
Email & Skype: info@chipsmall.com Web: www.chipsmall.com

Address: A1208, Overseas Decoration Building, #122 Zhenhua RD., Futian, Shenzhen, China



THIS DRAWING IS UNPUBLISHED. RELEASED FOR PUBLICATION 20
 © COPYRIGHT 20 BY TYCO ELECTRONICS CORPORATION. ALL RIGHTS RESERVED.

REVISIONS					
P	LTR	DESCRIPTION	DATE	DWN	APVD
A		RELEASED PER ECO-09-013817	08.JUL2009	RCF	JM



RECOMMENDED PCB-HOLE LAY-OUT FOR BACKPLANE 3 6

1 FRONT & REAR HOUSING: GLASS-FILLED LCP THERMOPLASTIC, UL 94 V-0 RATED, COLOR: NATURAL (BEIGE).
 TERMINI RETENTION CLIP: STAINLESS STEEL PER AISI 301
 CONNECTOR RETENTION CLIP: STAINLESS STEEL PER AISI 301
 SOCKET HEAD CAP SCREW: STAINLESS STEEL

2 SOCKET HEAD CAP SCREW: PASSIVATED

3 MISALIGNMENT ALLOWED BETWEEN THE BACKPLANE CUTOUT & THE MATING MODULE CONNECTOR, TYCO PART NUMBER 1738960-2: 1mm MAX

4 CONNECTOR RETENTION CLIP IS SHIPPED UNASSEMBLED

5 MINIMUM CLEARANCE AREA ON BOTH SIDES OF THE BACKPLANE BOARD REQUIRED FOR CONNECTOR FLOAT

6 ACCOMMODATES PC BOARD THICKNESS RANGE: 2.03-4.19 mm

7 DATE CODE: YEAR & WEEK (YY WW)

8. RECOMMENDED TERMINI APPLICATION TOOLING:
 INSTALLING TOOL: DANIELS MFG. CORP. P/N DAK83-16
 REMOVAL TOOL: DANIELS MFG. CORP. P/N DRK83-16

9. LuxCis® IS A REGISTERED TRADEMARK OF RADIAL SA.

1738965-1
PART NUMBER

THIS DRAWING IS A CONTROLLED DOCUMENT FOR TYCO ELECTRONICS CORPORATION. IT IS SUBJECT TO CHANGE AND THE CONTROLLING ENGINEERING ORGANIZATION SHOULD BE CONTACTED FOR THE LATEST REVISION.		DWN BH 09MAY2004	Tyco Electronics Harrisburg, PA 17105-3608	
DIMENSIONS: mm		CHK JPM 09MAY2004	NAME CONNECTOR KIT, BACKPLANE, 24 POSITION, FOR LuxCis OPTICAL TERMINI	
TOLERANCES UNLESS OTHERWISE SPECIFIED: 0 PLC ±0.1 1 PLC ±0.1 2 PLC ±0.1 3 PLC ± 4 PLC ± ANGLES ± FINISH		APVD JPM 09MAY2004	DRAWING NO 108-2247	
MATERIAL		PRODUCT SPEC 114-13192	RESTRICTED TO	
		APPLICATION SPEC 114-13192	SIZE A2	
		WEIGHT -	CAGE CODE 00779	
		CUSTOMER DRAWING	DRAWING NO 1738965	
		SCALE 2:1	SHEET 1 OF 1	
			REV A	