



Chipsmall Limited consists of a professional team with an average of over 10 year of expertise in the distribution of electronic components. Based in Hongkong, we have already established firm and mutual-benefit business relationships with customers from,Europe,America and south Asia,supplying obsolete and hard-to-find components to meet their specific needs.

With the principle of "Quality Parts,Customers Priority,Honest Operation,and Considerate Service",our business mainly focus on the distribution of electronic components. Line cards we deal with include Microchip,ALPS,ROHM,Xilinx,Pulse,ON,Everlight and Freescale. Main products comprise IC,Modules,Potentiometer,IC Socket,Relay,Connector.Our parts cover such applications as commercial,industrial, and automotives areas.

We are looking forward to setting up business relationship with you and hope to provide you with the best service and solution. Let us make a better world for our industry!



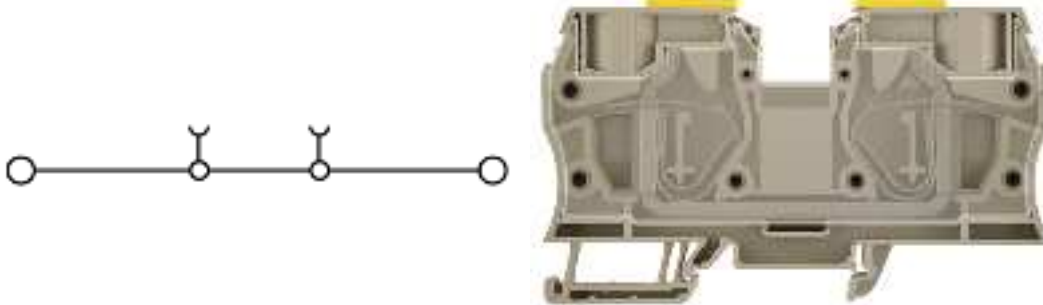
Contact us

Tel: +86-755-8981 8866 Fax: +86-755-8427 6832

Email & Skype: info@chipsmall.com Web: www.chipsmall.com

Address: A1208, Overseas Decoration Building, #122 Zhenhua RD., Futian, Shenzhen, China





General ordering data

Order No.	1739620000
Part designation	ZDU 35
Version	Feed-through terminal, 35 mm ² , Tension clamp connection, Wemid, dark beige, TS 35
EAN	4008190957070
Qty.	10 pc(s).

Product notes

Note, ordering data	End plate is integrated.
Note, technical data	Cross-connection of ZDU 10 and ZDU 35 is possible using the ZQV 35-10. Cross-connection of ZDU 16 and ZDU 35 is possible using the ZQV 35-16.

Product description Z-series standard ranges provide solutions for conductor cross-sections from 0.05 to 35 mm².

PT OKIECEEx/ATEX rating data

EU-type examination certificate	KEMA00ATEX2107U
Download, German	KEMA00ATEX2107U_d.pdf
Download English	KEMA00ATEX2107U_e.pdf
IECEEx Certificate of Conformity	IECEXULD05.0009U
ATEX voltage	690 V
ATEX current	109 A
ATEX conductor cross-section	35 mm ²
IECEEx voltage	550 V
IECEEx current	109 A
IECEEx conductor cross-section	35 mm ²
Voltage when using cross-connections	CrossConnectionGuide.pdf
Operating temperature range	Einsatztemperaturbereich siehe EG-Baumusterprüfbescheinigung/IECEEx-Certificate of Conformity
Marking EN 60079-7	Ex e II
Marking ATEX Directive 94/9/EC	Ex II 2 G D

Additional technical data

Colour of insulating material	dark beige
Connection direction	top
End plate required	No
Explosion-tested version "Ex e"	Yes
Installation advice	TS 35
Insulating material	Wemid
Levels cross-connected internally	No
No. of identical terminals	1
No. of levels	1
No. of terminal strips per level	2
Open sides	closed
Operating temperature range	- 50 °C, + 120 °C
Product family	Z-series
Type of connection	Clamped
Type of mounting	Snap-on
UL 94 flammability rating of insulation material	V-0
Version	Feed-through terminal

CSA rating data

Voltage (CSA)	600 V
CSA current	120 A
Min. cross-section (CSA)	AWG 12
Max. cross-section (CSA)	AWG 2

Conductors for clamping (additional connection)

Flexible with ferrule, min. (DIN 46228 pt 1)	2.5 mm ²
Flexible with ferrule, max. (DIN 46228 pt 1)	35 mm ²

Conductors for clamping (rated connection)

Clamping range, min.	2.5 mm ²
Clamping range, max.	35 mm ²
Type of connection	Tension clamp connection
2nd type of connection	clamped
Connection direction	top
No. of connections	2
Stripping length	25 mm
Blade size	1.0 x 5.5 mm
Gauge to IEC 60947-1	A8
Solid, min.	2.5 mm ²
Solid, max.	16 mm ²
Stranded, min.	2.5 mm ²
Stranded, max.	35 mm ²
Flexible, min.	2.5 mm ²
Flexible, max.	35 mm ²
Flexible with ferrule, min. (DIN 46228/1)	2.5 mm ²
Flexible with ferrule, max. (DIN 46228/1)	35 mm ²
Flexible, min., ferrule with plastic collar (DIN 46228 pt 4)	2.5 mm ²
Flexible, max., ferrule with plastic collar (DIN 46228 pt 4)	35 mm ²

Conductors for clamping (rated connection)

AWG conductor size, min.	AWG 12
AWG conductor size, max.	AWG 2
AWG conductor size, min.	3.31 mm ²
AWG conductor size, max.	33.62 mm ²

Dimensions

Width	16 mm
Height of lowest version	59 mm
Length	100.5 mm
TS 35 offset	47.5 mm

Rating data

Rated cross-section	35 mm ²
Rated voltage	800 V
Rated impulse voltage	8 kV
Rated current	125 A
Standards	IEC 60947-7-1
Current with max. conductor	125 A
Pollution severity	3

UL rating data

Voltage (UL)	600 V
Current (UL)	120 A
Min. cross-section (UL)	AWG 12
Max. cross-section (UL)	AWG 2

Approvals

Approvals institutes



Downloads

STEP	1739620000_28687_ZDU_35_STP.stp
------	---------------------------------

Classifications

eClass 4.1	27-14-11-20
eClass 5.0	27-14-11-20
eClass 5.1	27-14-11-20

Similar products

Order No.	Part designation	Version
-----------	------------------	---------

1739630000 ZDU 35 BL

Feed-through terminal, 35 mm², Tension clamp connection, Wemid, blue, TS 35