



Chipsmall Limited consists of a professional team with an average of over 10 year of expertise in the distribution of electronic components. Based in Hongkong, we have already established firm and mutual-benefit business relationships with customers from,Europe,America and south Asia,supplying obsolete and hard-to-find components to meet their specific needs.

With the principle of “Quality Parts,Customers Priority,Honest Operation,and Considerate Service”,our business mainly focus on the distribution of electronic components. Line cards we deal with include Microchip,ALPS,ROHM,Xilinx,Pulse,ON,Everlight and Freescale. Main products comprise IC,Modules,Potentiometer,IC Socket,Relay,Connector.Our parts cover such applications as commercial,industrial, and automotives areas.

We are looking forward to setting up business relationship with you and hope to provide you with the best service and solution. Let us make a better world for our industry!



Contact us

Tel: +86-755-8981 8866 Fax: +86-755-8427 6832

Email & Skype: info@chipsmall.com Web: www.chipsmall.com

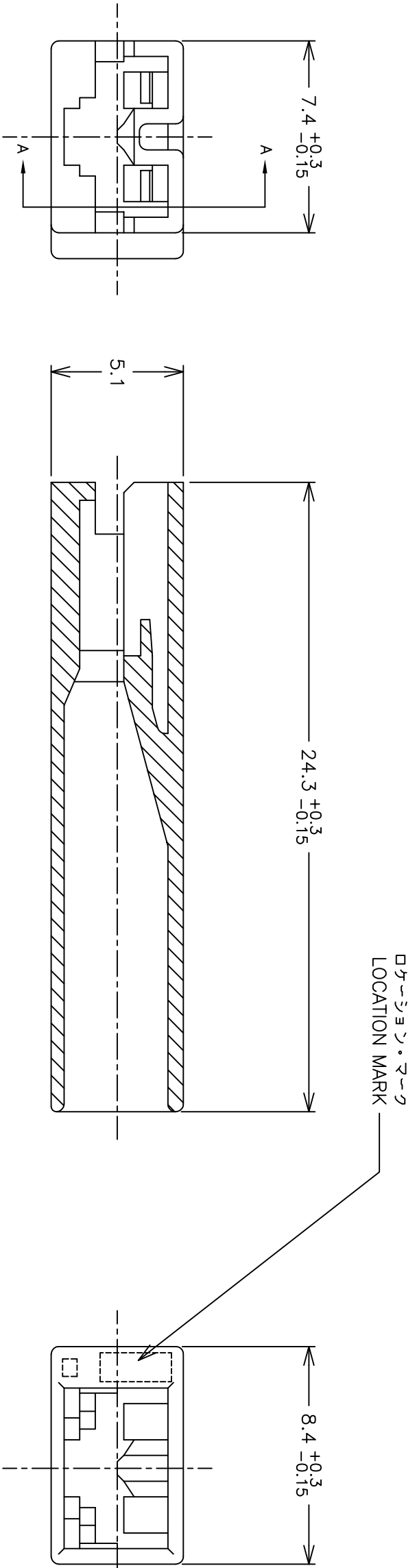
Address: A1208, Overseas Decoration Building, #122 Zhenhua RD., Futian, Shenzhen, China



REV. NO.	DATE	DWN	APVD
08JAN2013	LL	FM	

REV. NO.	DESCRIPTION	DATE	DWN	APVD
K3	REVISED PER ECR-13-000284	08JAN2013	LL	FM

D



断面 A-A
(SECT. A-A)

注:

1. 適用製品規格; 108-5126
2. 本ハウジングに適用するコンタクトは 170324, 170325, 170326である。
3. 適用サイズについては CP78-26022 を参照のこと。
 △ 材料: 6/6ナイロン(UL94V-0)
 △ 材料: 4/6ナイロン(UL94V-2)
 △ 材料: 6/6ナイロンガラス入り(UL94V-0)

NOTES:

1. PRODUCT SPECIFICATION ; 108-5126
 2. APPLICABLE CONTACT P/N; 170324, 170325, 170326
 3. SEE CP78-26022, ABOUT APPLICABLE TAB.
 △ MATERIAL: 6/6NYLON(UL94V-0)
 △ MATERIAL: 4/6NYLON(UL94V-2)
 △ MATERIAL: 6/6NYLON GLASS FILLED(UL94V-0)
- △ COMPLY WITH GLOW WIRE REQUIREMENT FOR PARTS OF NON-METALLIC MATERIAL SUPPORTING A CURRENT CARRYING CONNECTION DETAILED IN IEC 60335-1, SECTION 30 (GWT)
- △ PRELIMINARY - NOT FOR PRODUCTION

1470-19 (3/11)

THIS DRAWING IS A CONTROLLED DOCUMENT.		DWN 06FEB2002		NAME	
DIMENSIONS: 単位: 概 mm		CHK M. SHINDO		187 SERIES 1Pos. POSITIVE LOCK MARK-II HOUSING	
TOLERANCES UNLESS OTHERWISE SPECIFIED: 一般公差		APVD M. SHINDO		187シリーズ 1極 ポジティブロック(マークII)ハウジング	
FINISH 仕上		PRODUCT SPEC SEE NOTE 1		CAGE CODE 187シリーズ	
MATERIAL 材料		APPLICATION SPEC 取付適用規格		DRAWING NO. 173974	
SEE TABLE		WEIGHT		RESTRICTED TO	
		CUSTOMER DRAWING		SCALE 5:1	
				SHEET 1 of 1	
				REV K3	

