



Chipsmall Limited consists of a professional team with an average of over 10 year of expertise in the distribution of electronic components. Based in Hongkong, we have already established firm and mutual-benefit business relationships with customers from,Europe,America and south Asia,supplying obsolete and hard-to-find components to meet their specific needs.

With the principle of “Quality Parts,Customers Priority,Honest Operation,and Considerate Service”,our business mainly focus on the distribution of electronic components. Line cards we deal with include Microchip,ALPS,ROHM,Xilinx,Pulse,ON,Everlight and Freescale. Main products comprise IC,Modules,Potentiometer,IC Socket,Relay,Connector.Our parts cover such applications as commercial,industrial, and automotives areas.

We are looking forward to setting up business relationship with you and hope to provide you with the best service and solution. Let us make a better world for our industry!



## Contact us

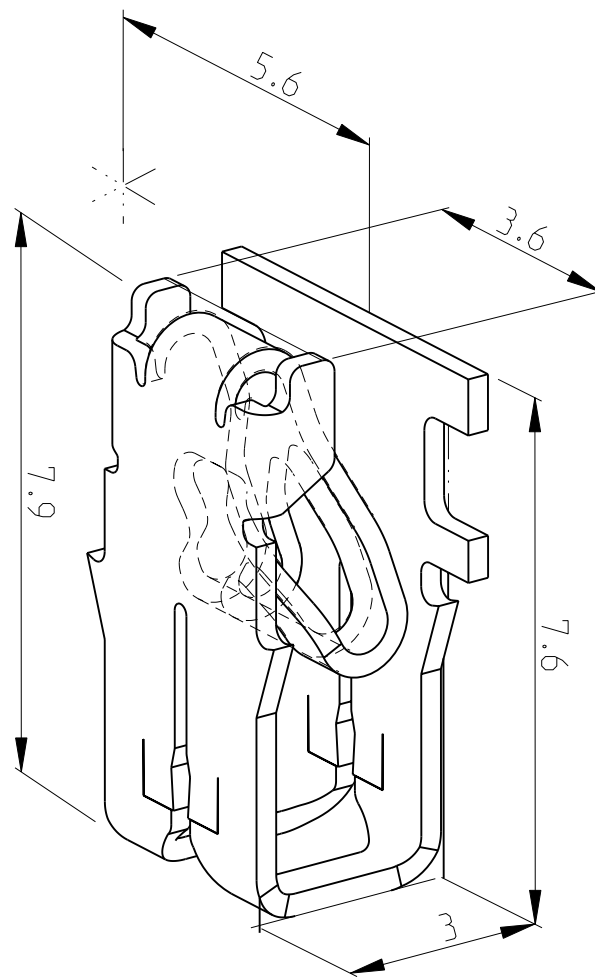
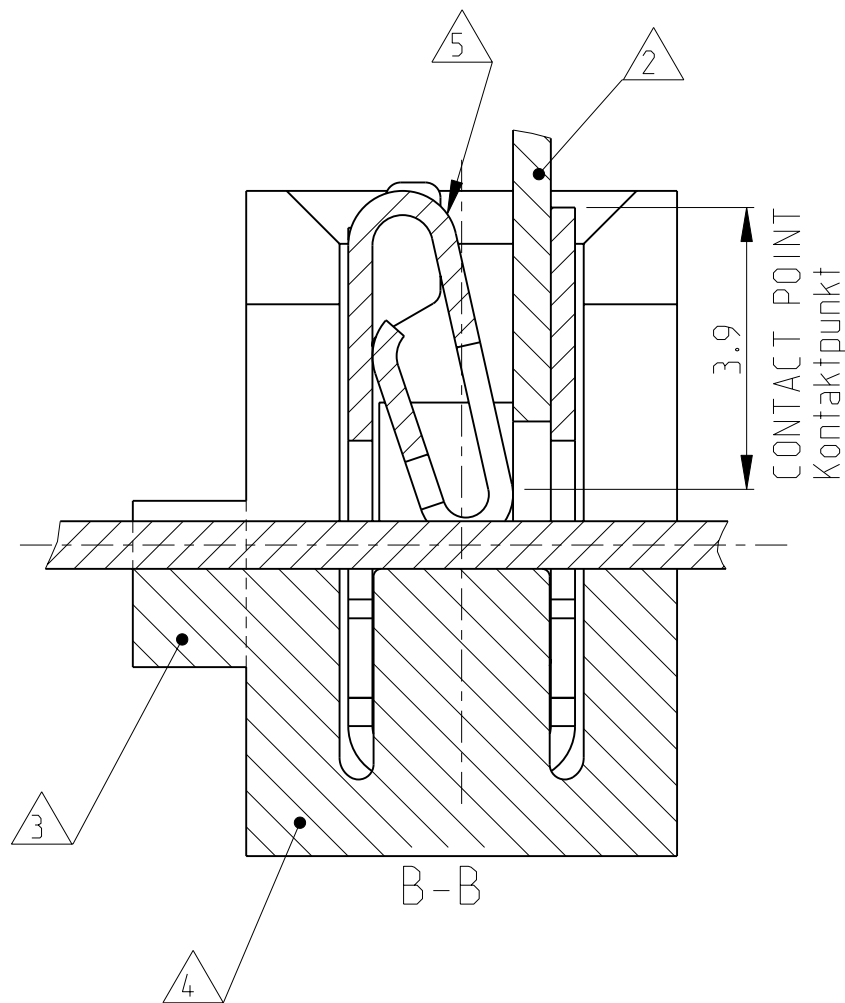
Tel: +86-755-8981 8866 Fax: +86-755-8427 6832

Email & Skype: info@chipsmall.com Web: www.chipsmall.com

Address: A1208, Overseas Decoration Building, #122 Zhenhua RD., Futian, Shenzhen, China

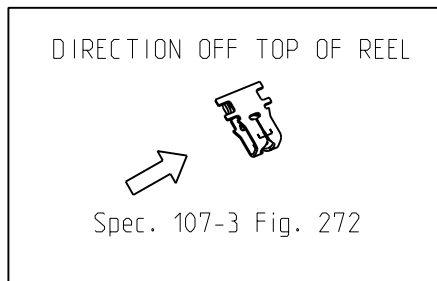



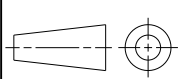
LOC	DIST	REVISIONS					
A1	-	P	LTR	DESCRIPTION	DATE	DWN	APVD
			B1	DWG adapted/Note 4 changed	04-02-2009	DZ	TK
			B2	ECR-09-011231	19MAY2009	SRE	PCH
			B3	ECR-10-026537	18JUN2011	KK	HMR



- 1 SLOT ACCEPTS:  
SINGLE OR DOUBLE MAGNET WIRE  
SAME DIAMETERS (0.40)..0.425...0.63mmDIA  
Kontakt geeignet für Lackdraht:  
Lackdraht  $\varnothing$ (0.40)..0.425...0.63 mm  
(Einzeldraht oder zwei Drähte gleichen Durchmessers)
- 2 POKE IN TAB TERMINAL 3.4x0.5mm  
Poke in Flachstecker 3.4x0.5mm
- 3 AREA WILL BE CUT BY TERMINATION  
Bereich wird beim Kontaktieren abgetrennt
- 4 CAVITY ACCORDING TO TE SPEC. 411-18512  
Kontakt Kammer nach TE Spec. 411-18512
- 5 IDENTIFICATION NO. FOR MAGNET WIRE RANGE (10)  
Kennziffer für Lackdrahtbereich (10)

	1740149-3	A	-	CuZn	PRE TINNED	MAG MATE LEAF TERMINAL	-
	1740149-2	B	-	CuNiSi	PRE TINNED	MAG MATE LEAF TERMINAL	-
OBSOLETE	<del>1740149-1</del>	B	-	CuNiSi	BLANK	MAG MATE LEAF TERMINAL	-
	PART NO	REV.	PCS.	MATERIAL	SURFACE COLOUR	DESCRIPTION	ITEM NO



THIS DRAWING IS A CONTROLLED DOCUMENT.		DWN H. Ballmert 06-02-04	 TE Connectivity	
		CHK H. Ploesser 06-02-04		
DIMENSIONS: mm		TOLERANCES UNLESS OTHERWISE SPECIFIED:		NAME MAG MATE LEAF TERMINAL MARK II
		0 PLC $\pm$ 1 PLC $\pm$ 2 PLC $\pm$ 3 PLC $\pm$ 4 PLC $\pm$ ANGLES $\pm 1^\circ$		PRODUCT SPEC 108-2012 APPLICATION SPEC 114-2046
MATERIAL SEE TABLE		FINISH SEE TABLE		SIZE A3 CAGE CODE 00779 DRAWING NO C-1740149
		WEIGHT -		RESTRICTED TO -
		CUSTOMER DRAWING		SCALE 10:1 SHEET 1 OF 1 REV B3