



Chipsmall Limited consists of a professional team with an average of over 10 year of expertise in the distribution of electronic components. Based in Hongkong, we have already established firm and mutual-benefit business relationships with customers from,Europe,America and south Asia,supplying obsolete and hard-to-find components to meet their specific needs.

With the principle of “Quality Parts,Customers Priority,Honest Operation,and Considerate Service”,our business mainly focus on the distribution of electronic components. Line cards we deal with include Microchip,ALPS,ROHM,Xilinx,Pulse,ON,Everlight and Freescale. Main products comprise IC,Modules,Potentiometer,IC Socket,Relay,Connector.Our parts cover such applications as commercial,industrial, and automotives areas.

We are looking forward to setting up business relationship with you and hope to provide you with the best service and solution. Let us make a better world for our industry!



## Contact us

Tel: +86-755-8981 8866 Fax: +86-755-8427 6832

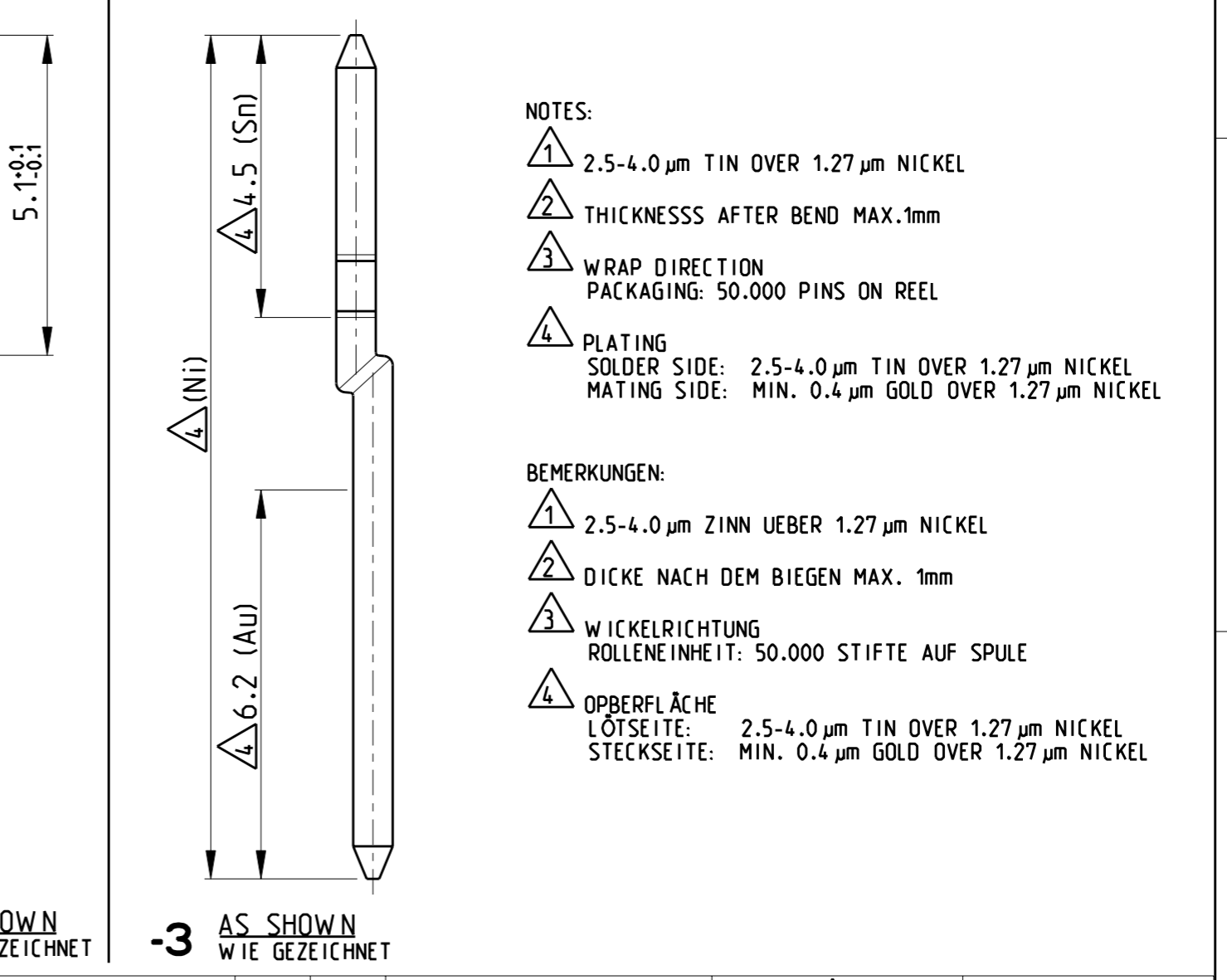
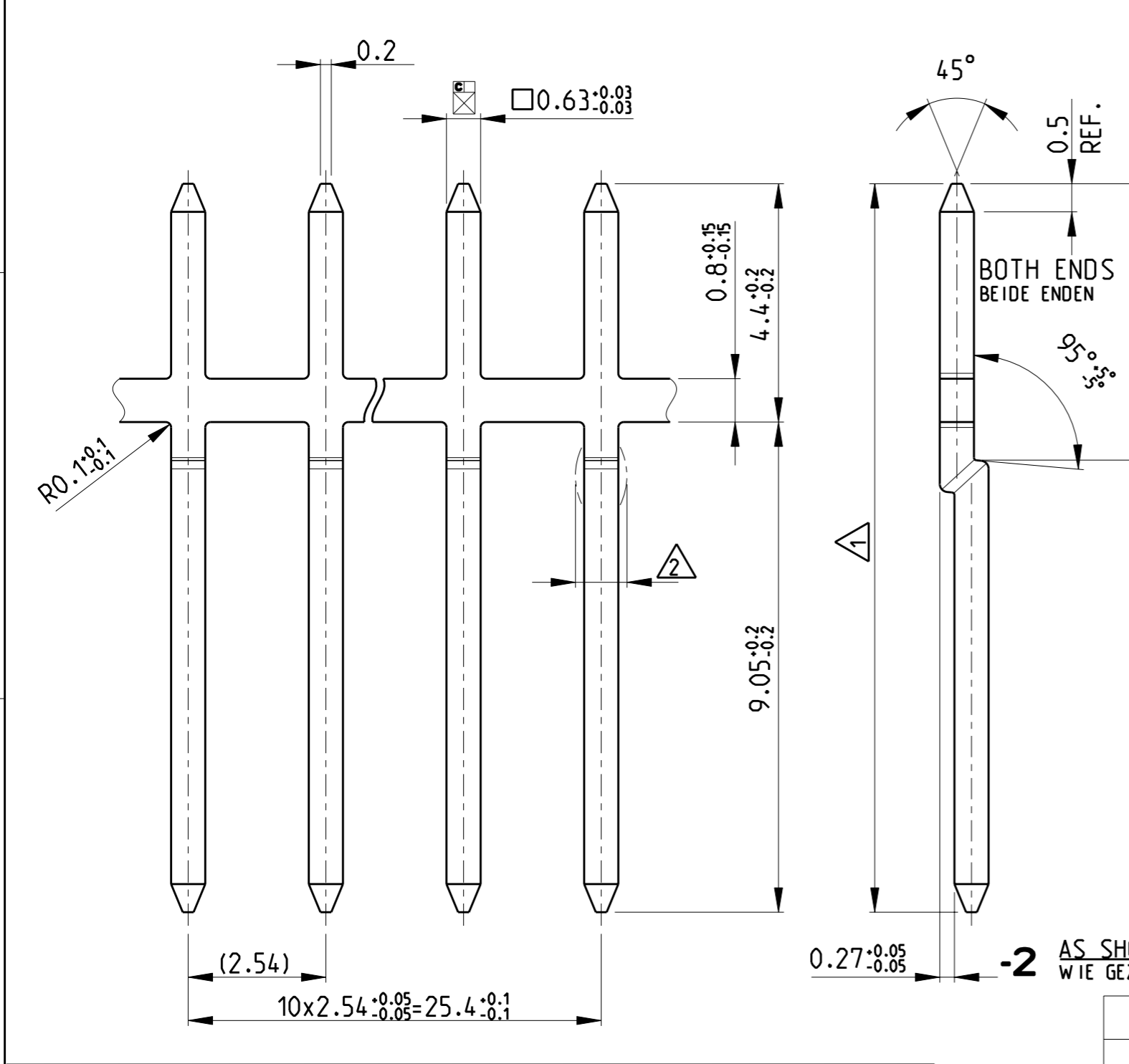
Email & Skype: info@chipsmall.com Web: www.chipsmall.com

Address: A1208, Overseas Decoration Building, #122 Zhenhua RD., Futian, Shenzhen, China



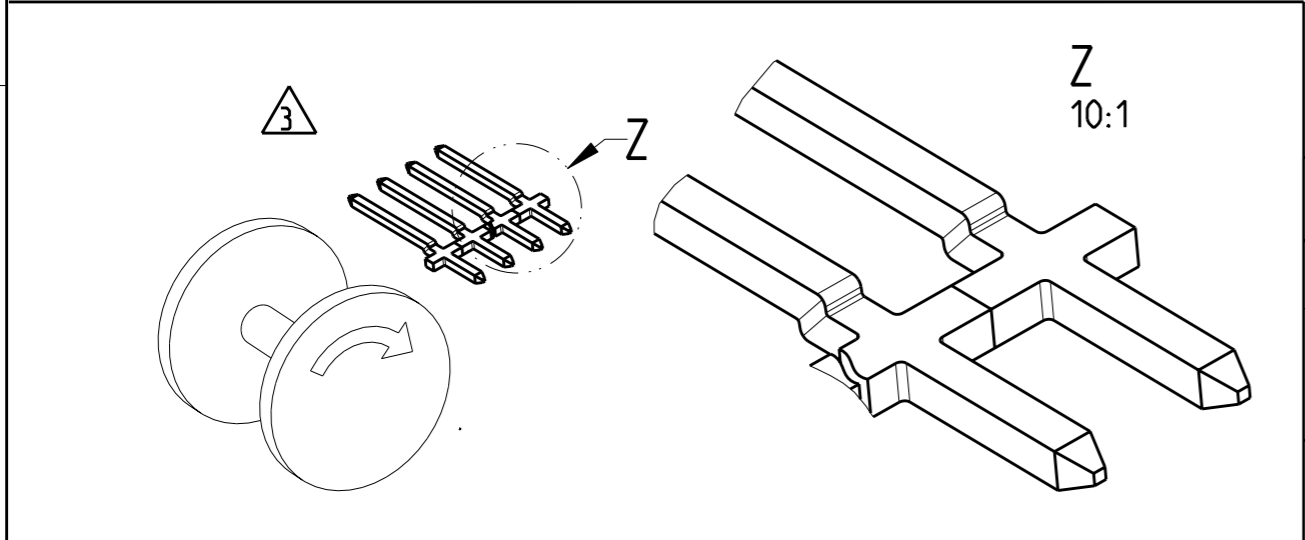
THIS DRAWING IS UNPUBLISHED.  
 VERTRAULICHE UNVERÖFFENTLICHTE ZEICHNUNG  
 © COPYRIGHT 2004 BY TYCO ELECTRONICS CORPORATION. ALL RIGHTS RESERVED.  
 FREI FUER VERÖFFENTLICHUNG  
 06.APR. - 2004  
 RELEASED FOR PUBLICATION  
 FREI FUER VERÖFFENTLICHUNG  
 ALLE RECHTE VORBEHALTEN

LOC	DIST	REVISIONS					
A1	-	P	LTR	DESCRIPTION	DATE	DWN	APVD
PROJEKT NR.: EGGJN04025				BESCHREIBUNG			
		A1		NEW DRAWING	06APR2004	KHH	MS
		A2		ANGLE CHANGED FROM 20°-5 INTO 95°+-5	10MAR2005	KHH	SH
		A3		NEW DASH-NO. ADDED	01SEP2008	KHH	SH



- NOTES:
- 1 2.5-4.0 µm TIN OVER 1.27 µm NICKEL
  - 2 THICKNESS AFTER BEND MAX.1mm
  - 3 WRAP DIRECTION  
PACKAGING: 50.000 PINS ON REEL
  - 4 PLATING  
SOLDER SIDE: 2.5-4.0 µm TIN OVER 1.27 µm NICKEL  
MATING SIDE: MIN. 0.4 µm GOLD OVER 1.27 µm NICKEL

- BEMERKUNGEN:
- 1 2.5-4.0 µm ZINN UEBER 1.27 µm NICKEL
  - 2 DICKE NACH DEM BIEGEN MAX. 1mm
  - 3 WICKELRICHTUNG  
ROLLENEINHEIT: 50.000 STIFTE AUF SPULE
  - 4 OBERFLÄCHE  
LÖTSEITE: 2.5-4.0 µm TIN OVER 1.27 µm NICKEL  
STECKSEITE: MIN. 0.4 µm GOLD OVER 1.27 µm NICKEL



1740 205-3	-	-	CONTACT PIN BENT KONTAKTSTIFT GEBOGEN	4	CuSn4 PHOSPHOR BRONZE
1740 205-2	-	-	CONTACT PIN BENT KONTAKTSTIFT GEBOGEN	1	CuSn4 PHOSPHOR BRONZE
AMP ORDER NO. BESTELL-NR.	POS.	QTY. STK.	DESCRIPTION BENENNUNG	SURFACE OBERFLAECHE COLOUR/FARBE	MATERIAL

THIS DRAWING IS A CONTROLLED DOCUMENT FOR TYCO ELECTRONICS CORPORATION  
 IT IS SUBJECT TO CHANGE AND THE CONTROLLING ENGINEERING ORGANIZATION  
 SHOULD BE CONTACTED FOR THE LATEST REVISION.  
 DIESES ZEICHNUNGSDOKUMENT WIRD DURCH AMP INCORPORATED KONTROLLIERT.  
 AENDERUNGEN, DIE DEM TECHNISCHEN FORTSCHRITT DIENEN, SIND VORBEHALTEN.  
 DEN JEWELIGS LETZTUEBLICHEN AENDERUNGSSTAND ERFAHREN SIE AUF ANFRAGE.

DIMENSIONS:  
MASSE IN METERN:  
MM

TOLERANCES UNLESS  
OTHERWISE SPECIFIED:  
ALLGEMEINTOLERANZEN

0 PLC	±
1 PLC	±
2 PLC	±
3 PLC	±
4 PLC	±
ANGLES/WINKEL	±1°

MATERIAL - FINISH/OBERFLAECHE/FARBE -

DWN K.-H. HESS 06APR2004  
 CHK SCHAARSCHMIDT 06APR2004  
 APVD G. FELDMAYER 06APR2004

tyco Electronics AMP GmbH  
 D - 64625 Bensheim

NAME  
 AMPMODU II CONTACT PIN BENT  
 AMPMODU II KONTAKTSTIFT GEBOGEN

SIZE A3 CAGE CODE 00779 DRAWING NO. ZEICHNUNGS-NR. C=1740205 RESTRICTED TO NUR FUER -

CUSTOMER DRAWING /KUNDENZEICHNUNG SCALE MASSSTAB 10:1 SHEET BLATT 1 OF VON 1 REV A3