



Chipsmall Limited consists of a professional team with an average of over 10 year of expertise in the distribution of electronic components. Based in Hongkong, we have already established firm and mutual-benefit business relationships with customers from,Europe,America and south Asia,supplying obsolete and hard-to-find components to meet their specific needs.

With the principle of "Quality Parts,Customers Priority,Honest Operation,and Considerate Service",our business mainly focus on the distribution of electronic components. Line cards we deal with include Microchip,ALPS,ROHM,Xilinx,Pulse,ON,Everlight and Freescale. Main products comprise IC,Modules,Potentiometer,IC Socket,Relay,Connector.Our parts cover such applications as commercial,industrial, and automotives areas.

We are looking forward to setting up business relationship with you and hope to provide you with the best service and solution. Let us make a better world for our industry!



Contact us

Tel: +86-755-8981 8866 Fax: +86-755-8427 6832

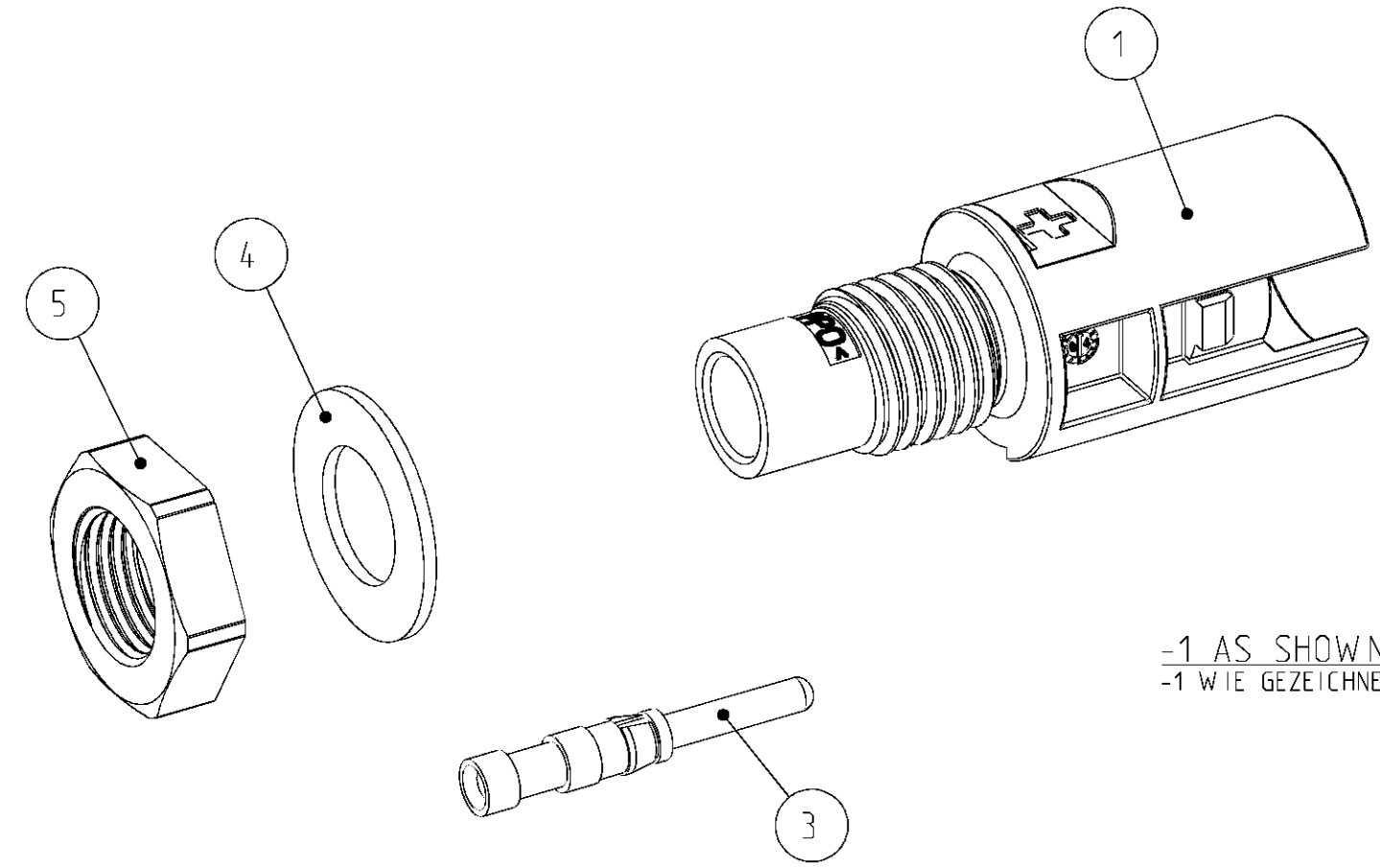
Email & Skype: info@chipsmall.com Web: www.chipsmall.com

Address: A1208, Overseas Decoration Building, #122 Zhenhua RD., Futian, Shenzhen, China



THIS DRAWING IS UNPUBLISHED
 VERTRÄGLICHE UNVERÖFFENTLICHTE ZEICHNUNG
 RELEASED FOR PUBLICATION
 FREI FÜR VERÖFFENTLICHUNG
 ALL RIGHTS RESERVED.
 ALLE RECHTE VORBEHALTEN
 MATED WITH
 PASSEND ZU:

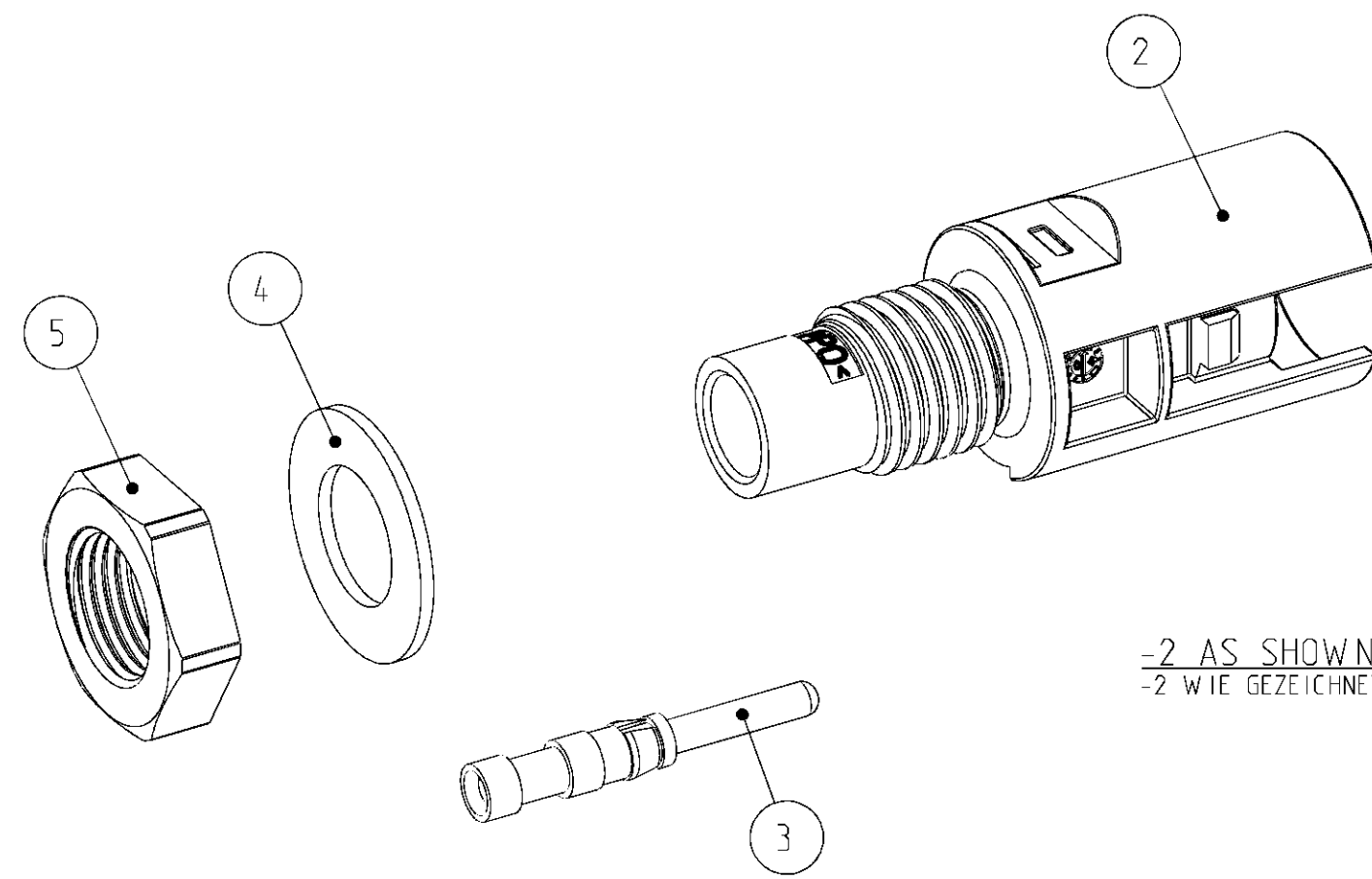
LOC A1	DIST -	REVISIONS ÄNDERUNGEN			DATE	DWN	APVD
PROJEKT NR.: EGGMNO4034		P	LTR	DESCRIPTION BESCHREIBUNG	16MAY11	RK	HMR
		D3 REVISED PER ECO-11-005150					



-1 AS SHOWN
 -1 WIE GEZEICHNET

- ① PACKAGING INSTRUCTION: 100 PIECES OF EACH PART PACKAGED IN MINIGRIP BAG (ITEM NO. 6)
- ② PACKAGING INSTRUCTION: 100 PIECES OF EACH PART PACKAGED IN PLASTIC BAG (ITEM NO. 7)
- ③ PACKAGING UNIT: ALL COMPONENTS OF EACH DASH-NUMBER PACKAGED ACCORDING TO ① OR ② PACKAGED IN CORRUGATED SHIPPING BOX
- ④ MINIGRIP BAG (ITEM NO. 6) AND PLASTIC BAG (ITEM NO. 7) NOT SHOWN
- ⑤ ITEM NO. 4, 5, 10 AND 11 ENCLOSE LOOSELY
- ⑥ RECOMMENDED TIGHTENING TORQUE FOR NUT (ITEM NO. 5) WHEN ASSEMBLING AT HOUSING WALL 1.3^{+0.2} Nm
- ⑦ USE ONLY WITH CABLE PN 956299

- ① VERPACKUNGSANWEISUNG: 100 STÜCK VON JEDEM TEIL IM MINIGRIP-BEUTEL (POS. 6) VERPACKT
- ② VERPACKUNGSANWEISUNG: 100 STÜCK VON JEDEM TEIL IM KUNSTSTOFF-BEUTEL (POS. 7) VERPACKT
- ③ VERPACKUNGSEINHEIT: ALLE KOMPONENTEN EINER STRICHVARIANTE VERPACKT GEMÄSS ① BZW. ② IM VERSANDKARTON VERPACKT
- ④ MINIGRIP-BEUTEL (POS. 6) UND KUNSTSTOFF-BEUTEL (POS. 7) NICHT DARGESTELLT
- ⑤ POS. 4, 5, 10 UND 11 LOSE BEIGELEGT
- ⑥ EMPFOHLENES ANZUGSDREHMOMENT FÜR BEFESTIGUNGSMUTTER (POS. 5) BEI MONTAGE AN GEHÄUSEWAND 1.3^{+0.2} Nm
- ⑦ NUR MIT KABEL PN 956299 NUTZEN

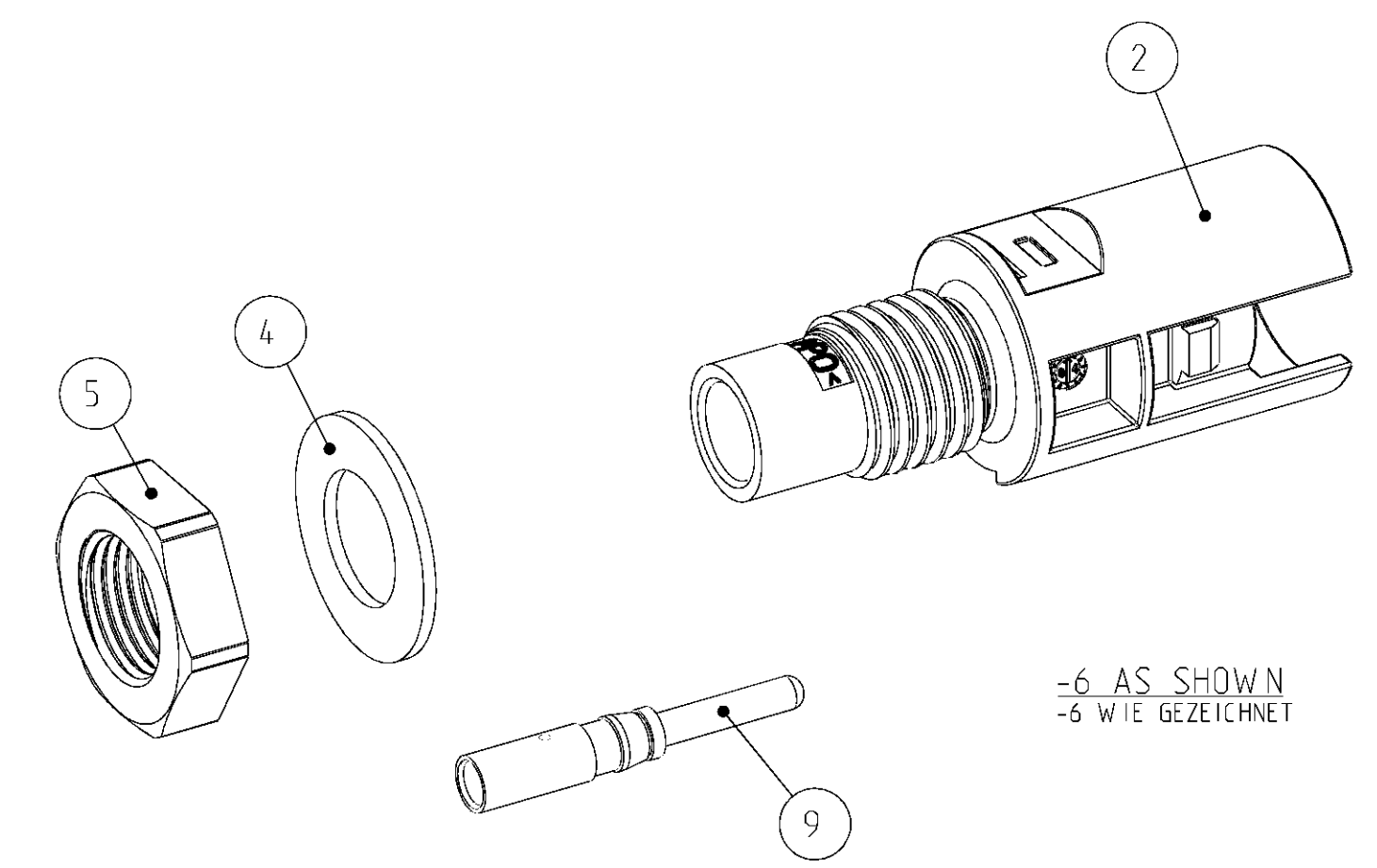
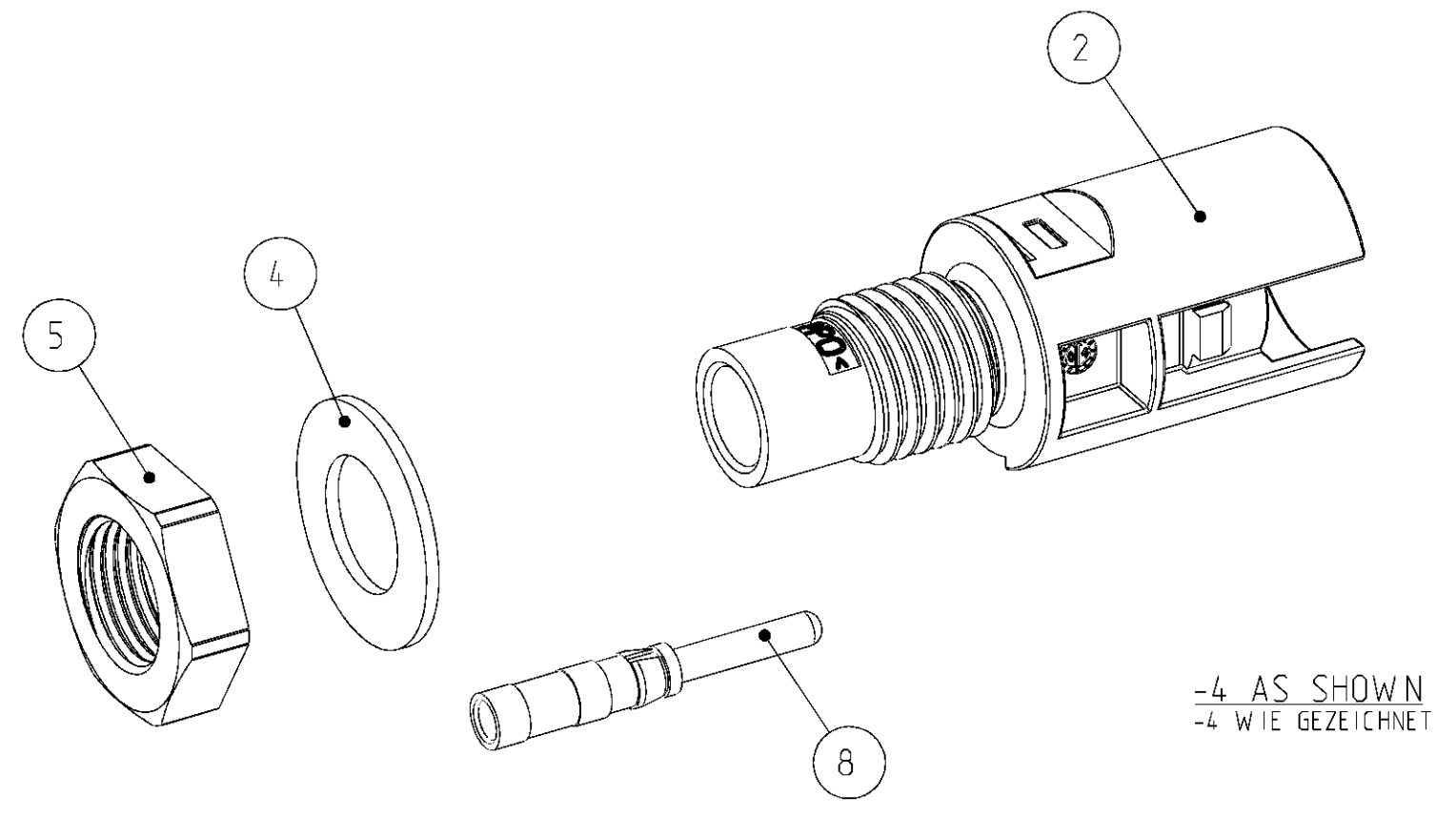
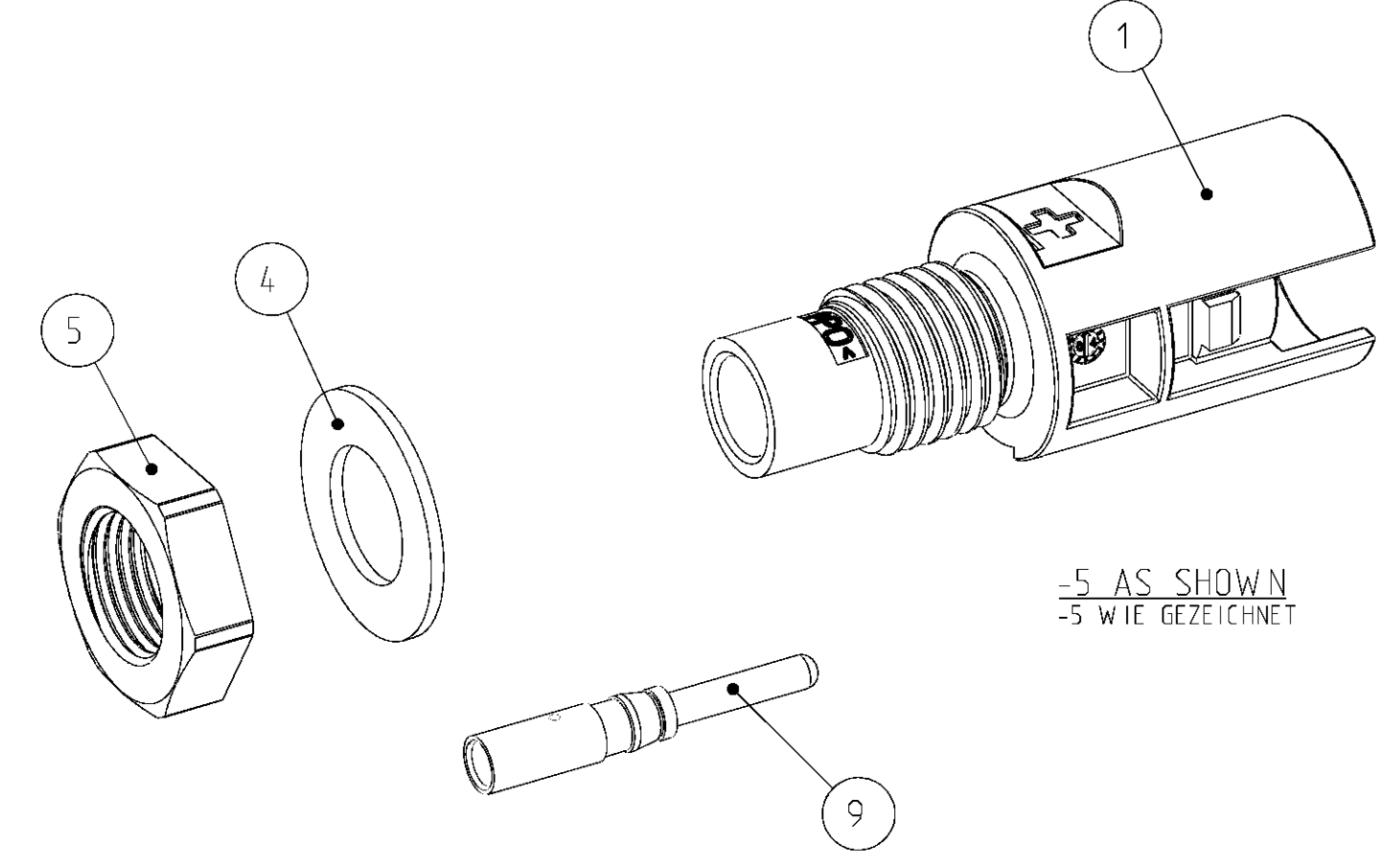
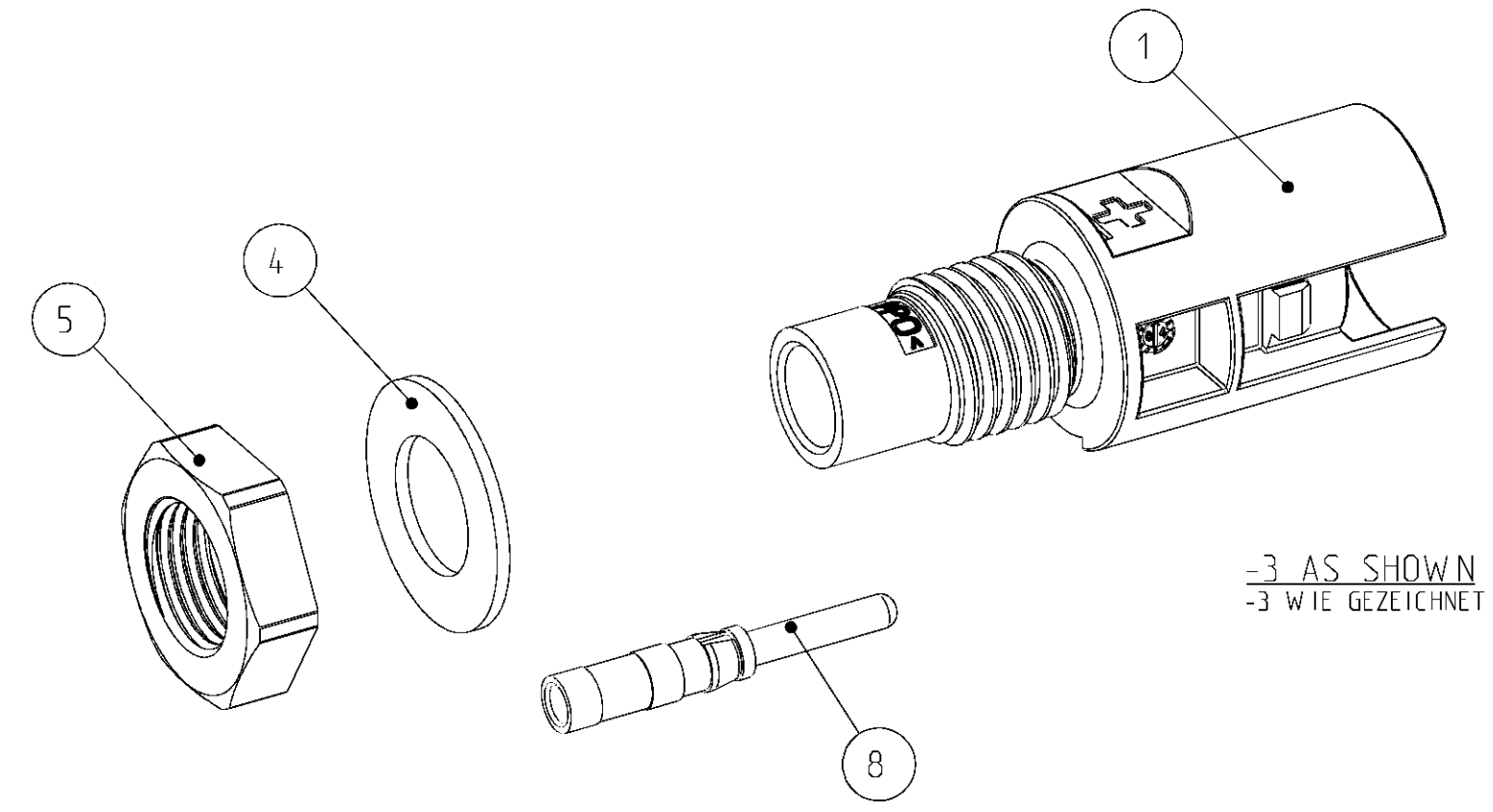



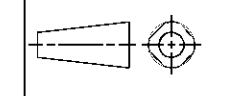
-2 AS SHOWN
 -2 WIE GEZEICHNET

ORDER-NO. BESTELL-NR.																	
③	③	③	③	③	③	③	③	③	③	③	③	③	③	③			
1-1740210-4	-	1	-	1	-	1	-	-	-	-	-	-	-	11			
1-1740210-3	-	1	-	1	-	1	-	-	-	-	-	-	-	10			
1-1740210-2	-	1	1	-	-	-	-	1	1	-	-	-	-	9			
1-1740210-1	-	-	-	1	1	-	-	-	-	1	1	-	-	8			
1-1740210-0	-	-	-	-	-	-	-	-	-	-	-	-	-	7			
1740210-9	-	-	-	-	-	-	-	-	-	-	-	-	-	6			
1740210-8	-	-	-	-	-	-	-	-	-	-	-	-	-	5			
1740210-7	-	-	-	-	-	-	-	-	-	-	-	-	-	4			
1740210-6	-	-	-	-	-	-	-	-	-	-	-	-	-	3			
1740210-5	-	-	-	-	-	-	-	-	-	-	-	-	-	2			
1740210-4	-	-	-	-	-	-	-	-	-	-	-	-	-	1			
1740210-3	-	-	-	-	-	-	-	-	-	-	-	-	-	1			
1740210-2	-	-	-	-	-	-	-	-	-	-	-	-	-	1			
1740210-1	-	-	-	-	-	-	-	-	-	-	-	-	-	1			
QUANTITY STÜCK														ITEM-NO. POS.	DESCRIPTION BENENNUNG	SURFACE OBERFLÄCHE	MATERIAL
															FLAT SEAL FLACHDICHTUNG	BLUE BLAU	-
															FLAT SEAL FLACHDICHTUNG	RED ROT	-
															PIN CONTACT ASSY HVT 6mm ² / AWG 10 KONTAKTSTIFT ASSY HVT 6mm ² / AWG 10	Ag Ag	CuZn CuZn
															PIN CONTACT ASSY HVT 4mm ² / AWG 12 KONTAKTSTIFT ASSY HVT 4mm ² / AWG 12	Ag Ag	CuZn CuZn
															PLASTIC BAG KUNSTSTOFF-BEUTEL	TRANSPARENT TRANSPARENT	-
															MINIGRIP BAG MINIGRIP-BEUTEL	TRANSPARENT TRANSPARENT	-
															PLASTIC NUT M12x1.5 PLASTIK MUTTER M12x1.5	BLACK SCHWARZ	PA PA
															FLAT SEAL FLACHDICHTUNG	BLACK SCHWARZ	-
															PIN CONTACT ASSY HVT 2.5mm ² / AWG 14 KONTAKTSTIFT ASSY HVT 2.5mm ² / AWG 14	Ag Ag	CuZn CuZn
															PIN HOUSING MINUS CODING STIFTGEHÄUSE MINUSKODIERUNG	BLACK SCHWARZ	PP0 PP0
															PIN HOUSING PLUS CODING STIFTGEHÄUSE PLUSKODIERUNG	BLACK SCHWARZ	PP0 PP0
																COLOR/FARBE	

DIMENSIONS: MASSE IN EINHEITEN: (MM)		TOLERANCES UNLESS OTHERWISE SPECIFIED: ALLGEMEINTOLERANZEN		DWN S. HASS 01-JUN-04	 TE Connectivity CONNECTION FOR INVERTED CONVERTER ANSCHLUSS FÜR WECHSELRICHTER
MATERIAL		ANGLE/S/WINKEL FINISH/OBERFLÄCHE/FARBE		CHK A. WÖBER 01-JUN-04	
APVD G. FELDMEIER 01-JUN-04		PRODUCT SPEC 108-18701		APVD G. FELDMEIER 01-JUN-04	
APPLICATION SPEC 114-18488		WEIGHT GEWICHT		NAME G. FELDMEIER	
CUSTOMER DRAWING		SCALE MASSSTAB 2:1		SIZE A2	RESTRICTED TO NUR FÜR
/KUNDENZEICHNUNG		SHEET BLATT 1 OF 2		DRAWING NO. ZEICHNUNGS-NR. 1740210	REV D3

LOC	DIST	REVISIONS					
A1	-	P	LTR	DESCRIPTION	DATE	DWN	APVD
PROJEKT NR.: EGGMN04.034		-	-	SEE SHEET 1	-	-	-



DIMENSIONS: MASSE IN MM		TOLERANCES UNLESS OTHERWISE SPECIFIED: ALLGEMEINTOLERANZEN		DWN S. HASS 01-JUN-04	 STE TE Connectivity			
		0 PLC ± 1 PLC ± 2 PLC ± 3 PLC ± 4 PLC ± ANGLES/WINKEL ± FINISH/OBERFLÄCHE/FARBE -		CHK A. WÖBER 01-JUN-04				NAME CONNECTION FOR INVERTED CONVERTER ANSCHLUSS FÜR WECHSELRICHTER
MATERIAL				APVD G. FELDMEIER 01-JUN-04	SIZE A2	CAGE CODE 00779	DRAWING NO. ZEICHNUNGS-NR. 1740210	RESTRICTED TO NUR FÜR
				PRODUCT SPEC PRODUKTSPEZ.	SCALE MASSSTAB 2:1		SHEET BLATT 2	OF VON 2
				APPLICATION SPEC VERARBEITUNGSSPEZ.	CUSTOMER DRAWING		REV D3	