



Chipsmall Limited consists of a professional team with an average of over 10 year of expertise in the distribution of electronic components. Based in Hongkong, we have already established firm and mutual-benefit business relationships with customers from,Europe,America and south Asia,supplying obsolete and hard-to-find components to meet their specific needs.

With the principle of “Quality Parts,Customers Priority,Honest Operation,and Considerate Service”,our business mainly focus on the distribution of electronic components. Line cards we deal with include Microchip,ALPS,ROHM,Xilinx,Pulse,ON,Everlight and Freescale. Main products comprise IC,Modules,Potentiometer,IC Socket,Relay,Connector.Our parts cover such applications as commercial,industrial, and automotives areas.

We are looking forward to setting up business relationship with you and hope to provide you with the best service and solution. Let us make a better world for our industry!



## Contact us

Tel: +86-755-8981 8866 Fax: +86-755-8427 6832

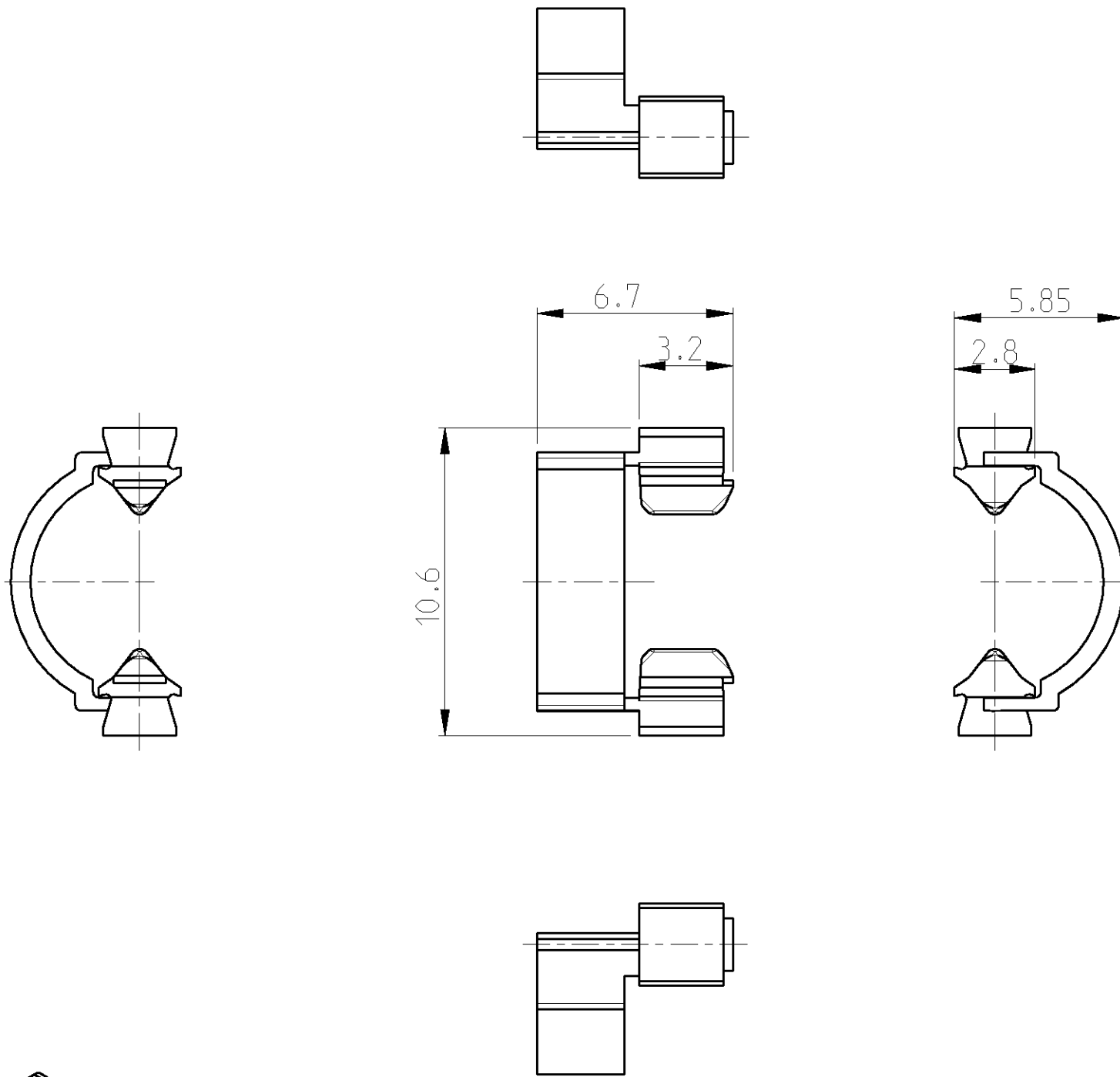
Email & Skype: info@chipsmall.com Web: www.chipsmall.com

Address: A1208, Overseas Decoration Building, #122 Zhenhua RD., Futian, Shenzhen, China

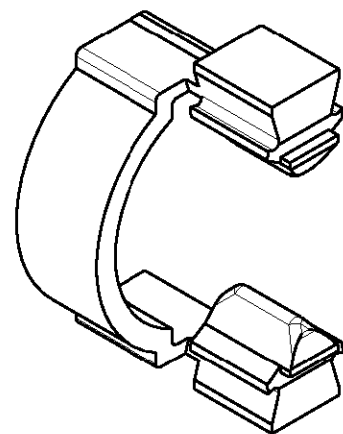


THIS DRAWING IS UNPUBLISHED. RELEASED FOR PUBLICATION 2005  
 © COPYRIGHT 2005 BY TYCO ELECTRONICS CORPORATION. ALL RIGHTS RESERVED.

LOC	DIST	REVISIONS					
A1	-	P	LTR	DESCRIPTION	DATE	DWN	APVD
			D	Series geometry	23MAY2007	SKA	TG



- Notes:
1. Ring Clip used for Tube PN 1740260-x
  2. Tool needed for assembling Tube and Ring Clip (see Application Spec.) Half ring will be sheared off



0-1740261-2	D	BLACK (ANTHRACITE)
0-1740261-1	D	NATURAL (WHITE)
PN	REV.	COLOR

<small>THIS DRAWING IS A CONTROLLED DOCUMENT FOR TYCO ELECTRONICS CORPORATION IT IS SUBJECT TO CHANGE AND THE CONTROLLING ENGINEERING ORGANIZATION SHOULD BE CONTACTED FOR THE LATEST REVISION.</small>		DWN H.ATZMANN 08FEB2005 CHK M.OFENLOCH 08FEB2005 APVD T.GERLACH 08FEB2005	<b>tyco</b> <b>Electronics</b>	tyco Electronics AMP GmbH D - 64625 Bensheim
DIMENSIONS: mm 		TOLERANCES UNLESS OTHERWISE SPECIFIED: 0 PLC ±0.2 1 PLC ±0.2 2 PLC ±0.2 3 PLC ± 4 PLC ± ANGLES ±1°	NAME 7.5mm MiniHVL Connector System Ring Clip	
MATERIAL PA 6		FINISH -	PRODUCT SPEC 108-94018 APPLICATION SPEC 114-18751 WEIGHT 0,1 g	SIZE A3 CAGE CODE 00779 DRAWING NO C=1740261 RESTRICTED TO -
CUSTOMER DRAWING			SCALE 5:1	SHEET 1 OF 1 REV D