



Chipsmall Limited consists of a professional team with an average of over 10 year of expertise in the distribution of electronic components. Based in Hongkong, we have already established firm and mutual-benefit business relationships with customers from,Europe,America and south Asia,supplying obsolete and hard-to-find components to meet their specific needs.

With the principle of "Quality Parts,Customers Priority,Honest Operation,and Considerate Service",our business mainly focus on the distribution of electronic components. Line cards we deal with include Microchip,ALPS,ROHM,Xilinx,Pulse,ON,Everlight and Freescale. Main products comprise IC,Modules,Potentiometer,IC Socket,Relay,Connector.Our parts cover such applications as commercial,industrial, and automotives areas.

We are looking forward to setting up business relationship with you and hope to provide you with the best service and solution. Let us make a better world for our industry!



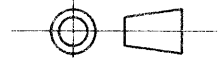
## Contact us

Tel: +86-755-8981 8866 Fax: +86-755-8427 6832

Email & Skype: info@chipsmall.com Web: www.chipsmall.com

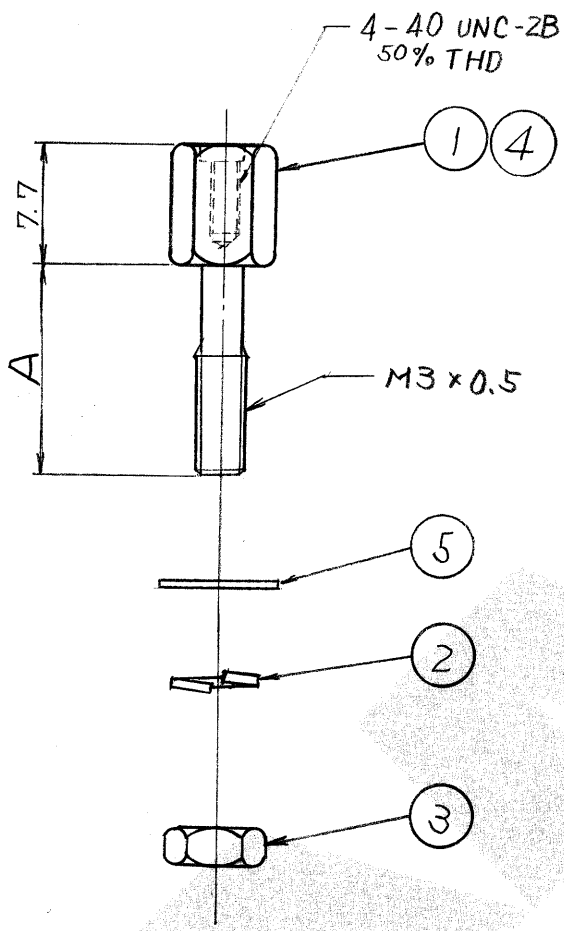
Address: A1208, Overseas Decoration Building, #122 Zhenhua RD., Futian, Shenzhen, China





番号 (NUMBER)  
174028

Proj No. 551-080 (85-25499)



注記

1. 全々の寸法は参考である。
2. 材料、及び仕上げ  
 スクリュー・マウンティング: 炭素鋼, ニッケルメッキ  
 スプリングワッシャー: 黄銅, ニッケルメッキ  
 ナット: 燐青銅, ニッケルメッキ  
 フレーンワッシャー: 炭素鋼, ニッケルメッキ

NOTES

1. ALL DIMENSIONS IS REF.
2. MATERIAL, FINISH  
 ○ SCREW MOUNTING: STEEL, NICKEL PL.  
 ○ SPRING WASHER: BRASS, NICKEL PL.  
 ○ HEXAGON NUT: PHOSPHOR BRONZE, NICKEL PL.  
 ○ PLANE WASHER: STEEL, NICKEL PL.
3. OBSOLETE PARTS: OBSOLETE CIS STREAMLINING PER D.RENAUD/D.SINISI

3	OBSLOETE	10.2	4
		15.0	-2
B2	OBSLOETE	15.0	174028-1
		A	型番

3  
OBSOLETE

B2  
OBSOLETE

+	+	1	2	173758-1	平ワッシャー	PLAIN WASHER	5
1	+	+	+	174025-2	スクリューマウンティング (17.9mm)	SCREW MOUNTING	4
1	2	1	2	171998-1	ナット M3X0.5	NUT M3X0.5	3
1	2	1	2	172966-1	スプリングワッシャー M3X0.5	SPRING WASHER M3X0.5	2
+	+	1	2	174025-1	スクリューマウンティング	SCREW MOUNTING	1
A	B	-2	A	型番	名称		7/14 No.

B2	ECR-12-013664	K.M	E.T	28MAR13
B1	ECO-10-000444	KK	AEG	JAN10
B	変更 J-12712	H.A	T.Sa	9-5
A	変更 J-10989	H.A	T.Sa	7-19
0	作成 J85-9139	K.S	7.7	1-29
LTR.	変更 (REVISION RECORD)	DR.	CHK.	DATE
DR.	9-17-85	DE.		
CHK.	11-28-85	APP.	1-29-86	

包含電線断面積 (WIRE RANGE) — # mm <sup>2</sup> (AWG)	尺度 (SCALE) — #	一般公差 10以下 ±0.2 10を超え 30以下 ±0.25 30を超え 100以下 ±0.3 角 度 ±3°		
被覆外径 (INSULATION DIA.) — # mm				
材料 (MATERIAL) 2				
仕上 (FINISH) 2	LOC	SIZE	番号 (NO.)	REV.
	J	A	174028	B2
名称 (NAME)	KIT HARDWARE SCREW LOCK FOR ACTION PIN TYPE			

PRINT DIST

単位: 耗 DIMENSIONS IN MM. DO NOT SCALE PRINT