



Chipsmall Limited consists of a professional team with an average of over 10 year of expertise in the distribution of electronic components. Based in Hongkong, we have already established firm and mutual-benefit business relationships with customers from,Europe,America and south Asia,supplying obsolete and hard-to-find components to meet their specific needs.

With the principle of "Quality Parts,Customers Priority,Honest Operation,and Considerate Service",our business mainly focus on the distribution of electronic components. Line cards we deal with include Microchip,ALPS,ROHM,Xilinx,Pulse,ON,Everlight and Freescale. Main products comprise IC,Modules,Potentiometer,IC Socket,Relay,Connector.Our parts cover such applications as commercial,industrial, and automotives areas.

We are looking forward to setting up business relationship with you and hope to provide you with the best service and solution. Let us make a better world for our industry!



Contact us

Tel: +86-755-8981 8866 Fax: +86-755-8427 6832

Email & Skype: info@chipsmall.com Web: www.chipsmall.com

Address: A1208, Overseas Decoration Building, #122 Zhenhua RD., Futian, Shenzhen, China



THIS DRAWING IS UNPUBLISHED.

RELEASED FOR PUBLICATION

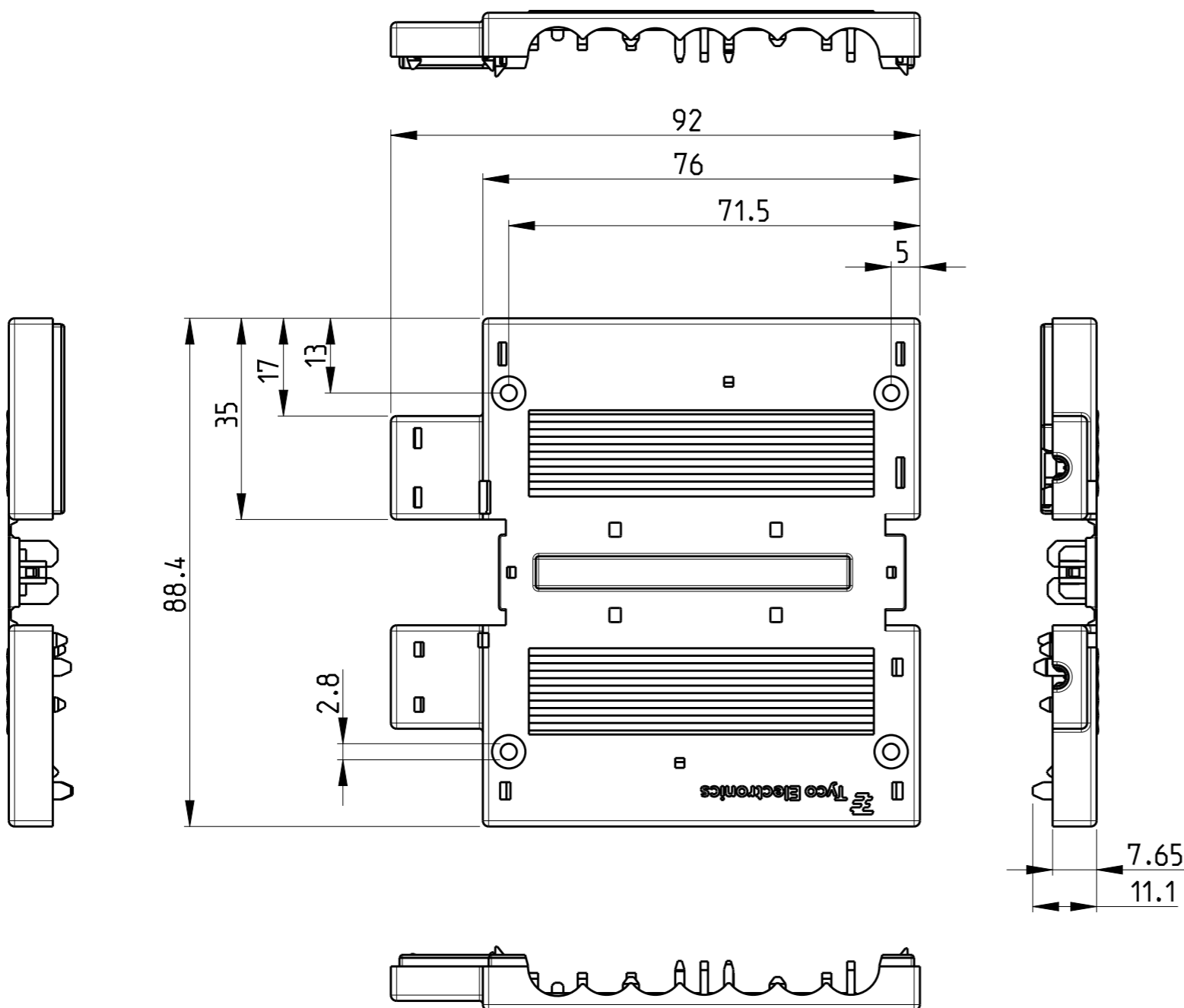
2007

© COPYRIGHT 2007 BY -

ALL RIGHTS RESERVED.

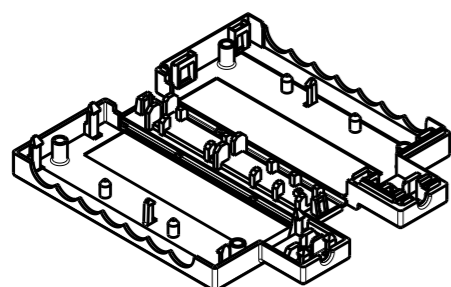
REVISIONS

P	LTR	DESCRIPTION	DATE	DWN	APVD
E		inner geometry update	05MAY2008	SKA	TG
F		NEW TYCO ELECTRONICS LOGO	25JUN2010	AV	GT
F1		ADDED PART NUMBERS -1.-2	22OCT2010	AV	GT
G		ECR-16-003641	12MAY2016	RS	JL




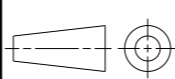
NOTES:

1. Counterpart is Distributor PN 1740317-x



1:2

1740315-2	F	BLACK
1740315-1	F	WHITE
PN	REV.	COLOR

THIS DRAWING IS A CONTROLLED DOCUMENT.		DWN S. Skade 06 JUL 2007	 TE Connectivity		
DIMENSIONS: mm		CHK P. Kraemer 06 JUL 2007			
TOLERANCES UNLESS OTHERWISE SPECIFIED:		APVD T. Gerlach 06 JUL 2007			
		PRODUCT SPEC 108-94019	NAME 7.5mm MiniHVL CONNECTOR SYSTEM COVER FOR DISTRIBUTOR		
MATERIAL PA6		FINISH -	APPLICATION SPEC 114-18752	SIZE A3	RESTRICTED TO -
		WEIGHT 14.7 g	CAGE CODE 00779	DRAWING NO C-1740315	
CUSTOMER DRAWING			SCALE 1:1	SHEET 1 OF 1	REV G