



Chipsmall Limited consists of a professional team with an average of over 10 year of expertise in the distribution of electronic components. Based in Hongkong, we have already established firm and mutual-benefit business relationships with customers from,Europe,America and south Asia,supplying obsolete and hard-to-find components to meet their specific needs.

With the principle of “Quality Parts,Customers Priority,Honest Operation,and Considerate Service”,our business mainly focus on the distribution of electronic components. Line cards we deal with include Microchip,ALPS,ROHM,Xilinx,Pulse,ON,Everlight and Freescale. Main products comprise IC,Modules,Potentiometer,IC Socket,Relay,Connector.Our parts cover such applications as commercial,industrial, and automotives areas.

We are looking forward to setting up business relationship with you and hope to provide you with the best service and solution. Let us make a better world for our industry!



Contact us

Tel: +86-755-8981 8866 Fax: +86-755-8427 6832

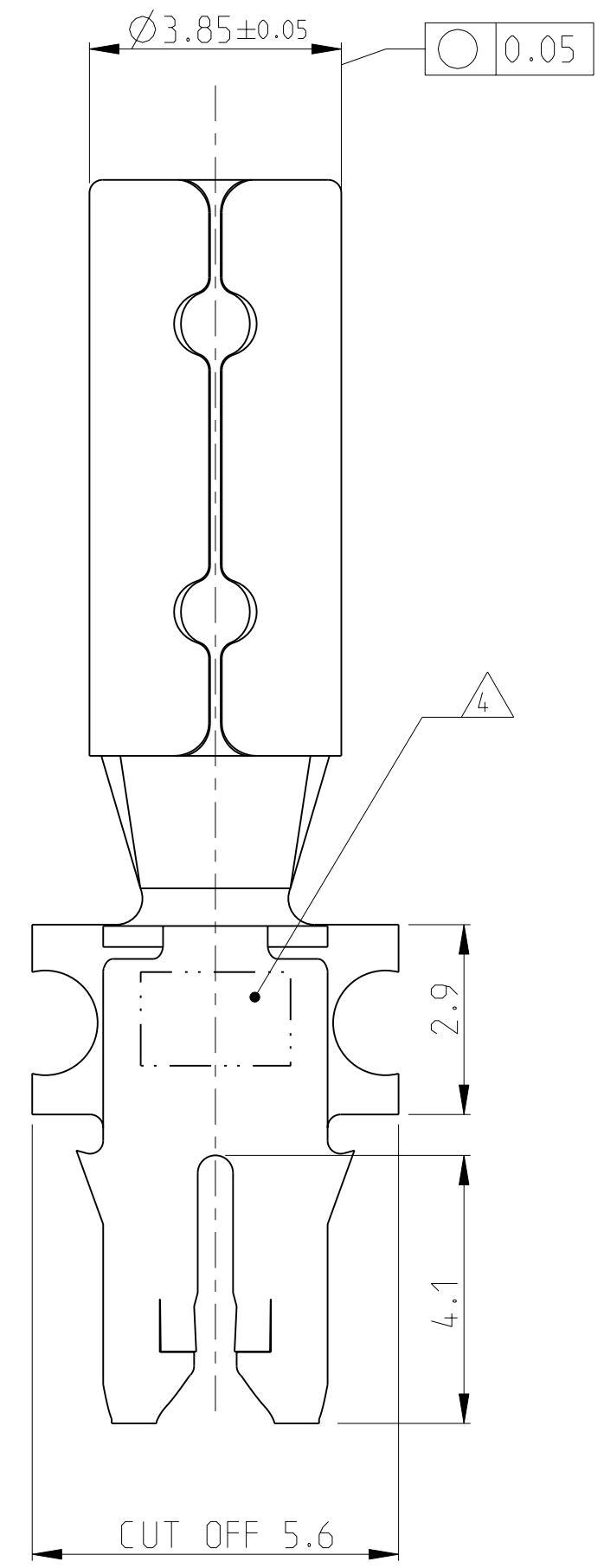
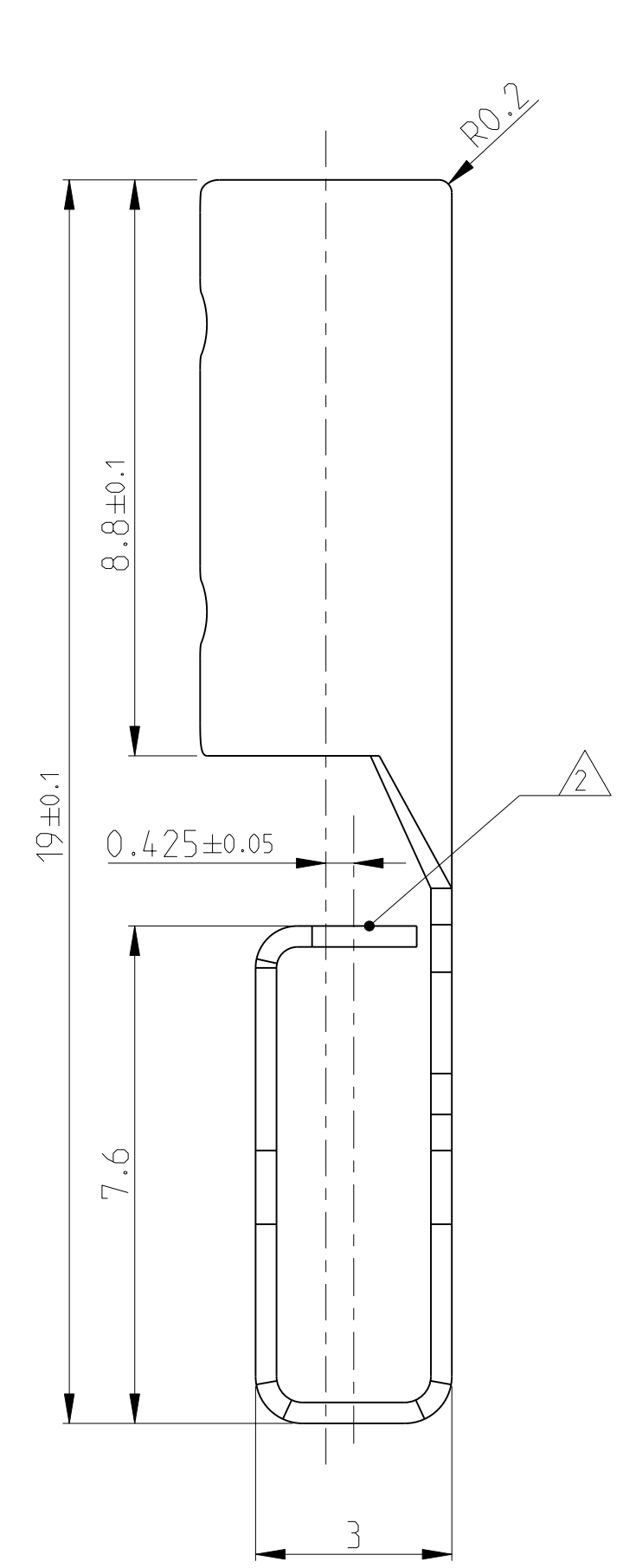
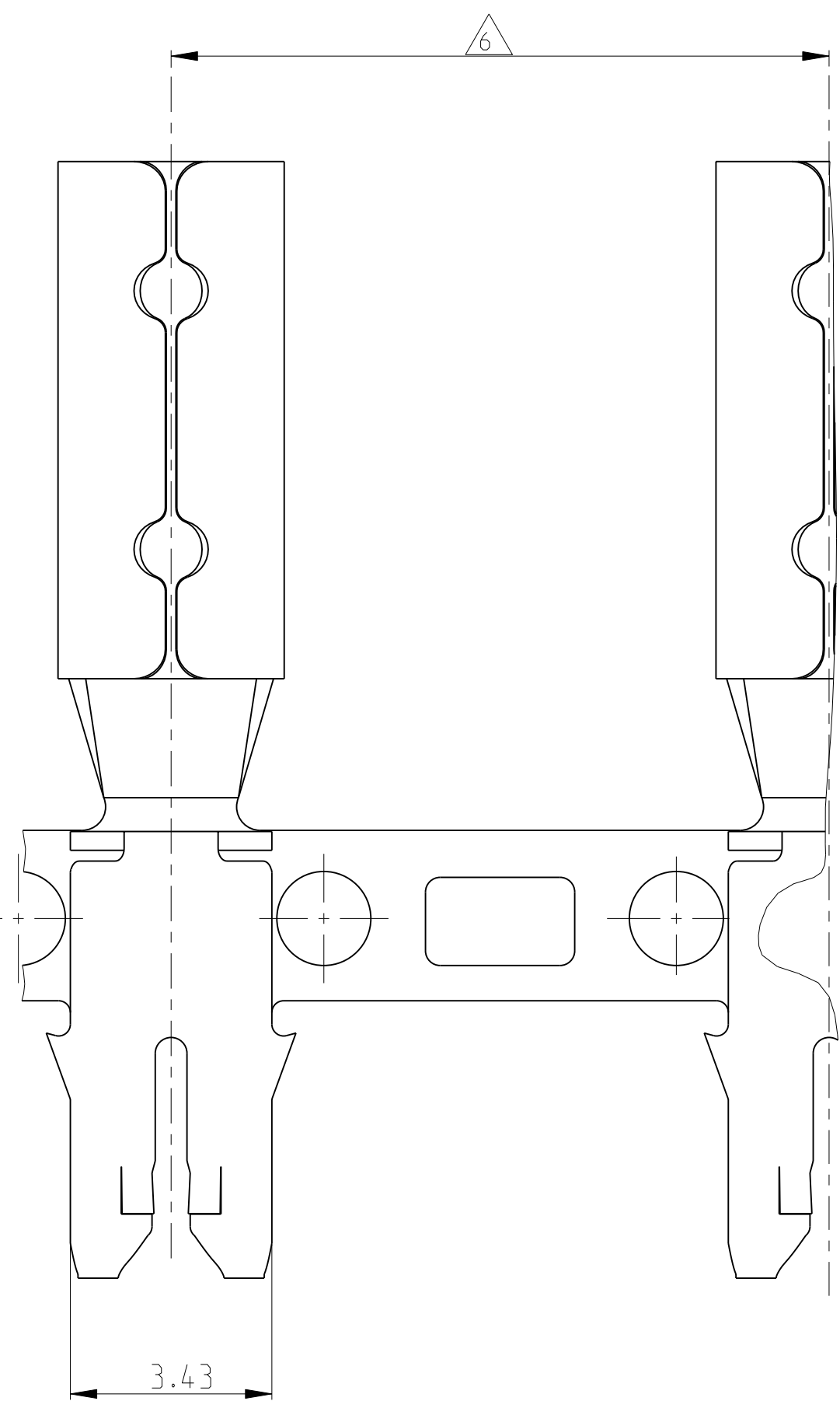
Email & Skype: info@chipsmall.com Web: www.chipsmall.com

Address: A1208, Overseas Decoration Building, #122 Zhenhua RD., Futian, Shenzhen, China

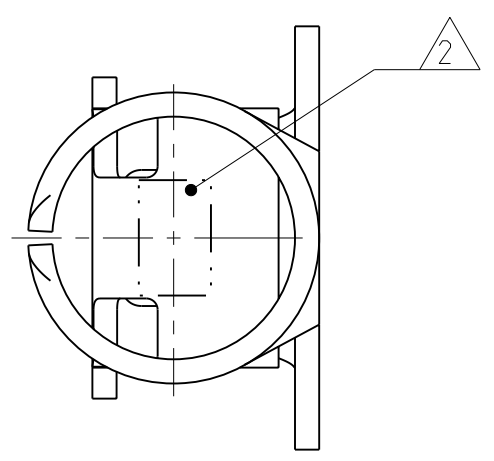


THIS DRAWING IS UNPUBLISHED. RELEASED FOR PUBLICATION 2011
 © COPYRIGHT 2011 ALL RIGHTS RESERVED.

LOC		DIST		REVISIONS			
P	LTR	DESCRIPTION	DATE	DWN	APVD		
	B	FIRST ISSUE	21OCT2011	PKS	RRP		



- 1 SLOT ACCEPTS SINGLE/ DOUBLE MAGNET WIRE (SEE TABLE FOR SIZE)
Schlitz geeignet fuer Lackdraht einfach/doppelt gemaess Tabelle
- 2 IDENTIFICATION NO. (SEE TABLE) FOR MAGNET WIRE RANGE
Kennziffer (siehe Tabelle) fuer Drahtgroessenbereich
- 3 Kontakt-Kammer nach TE Spec.411-18515
CAVITY ACCORDING TE SPEC.411-18515
- 4 Markenzeichen TE
TRADE MARK TE
- 5 Materialdicke und -breite } 0.32±0.01 x 44±0.05
STOCK THICKNESS AND WIDTH
- 6 DIE FEED 11.2



16	Ø0.72mm	Ø0.72-1.0mm	BRASS	B	1740419-1
ID MARK	DOUBLE WIRE	SINGLE WIRE	MATERIAL	REV	PART NO
	WIRE RANGE 1				
THIS DRAWING IS A CONTROLLED DOCUMENT.			DWN SENTHIL 200CT2011 CHK SENTHIL 200CT2011 APVD RAJENDRA 21OCT2011 PRODUCT SPEC		
DIMENSIONS: mm 		TOLERANCES UNLESS OTHERWISE SPECIFIED: 0 PLC ± 1 PLC ± 2 PLC ±0.2 3 PLC ± 4 PLC ± ANGLES ±° FINISH		NAME STE TE Connectivity MAG MATE EDGE-LEFT CONTACT DIAMETER 3.8mm	
MATERIAL	SEE TABLE	WEIGHT	SIZE	CAGE CODE	DRAWING NO
			A2	00779	1740419
CUSTOMER DRAWING			SCALE	SHEET	REV
			10:1	1 OF 1	B