



Chipsmall Limited consists of a professional team with an average of over 10 year of expertise in the distribution of electronic components. Based in Hongkong, we have already established firm and mutual-benefit business relationships with customers from,Europe,America and south Asia,supplying obsolete and hard-to-find components to meet their specific needs.

With the principle of “Quality Parts,Customers Priority,Honest Operation,and Considerate Service”,our business mainly focus on the distribution of electronic components. Line cards we deal with include Microchip,ALPS,ROHM,Xilinx,Pulse,ON,Everlight and Freescale. Main products comprise IC,Modules,Potentiometer,IC Socket,Relay,Connector.Our parts cover such applications as commercial,industrial, and automotives areas.

We are looking forward to setting up business relationship with you and hope to provide you with the best service and solution. Let us make a better world for our industry!



Contact us

Tel: +86-755-8981 8866 Fax: +86-755-8427 6832

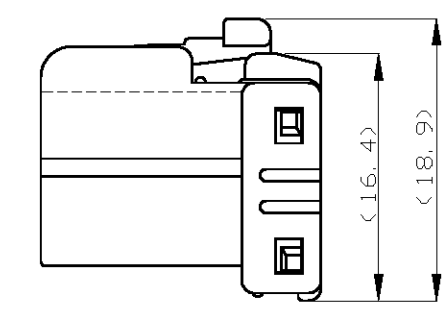
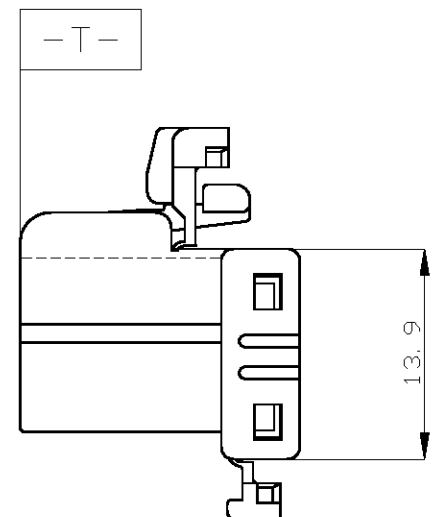
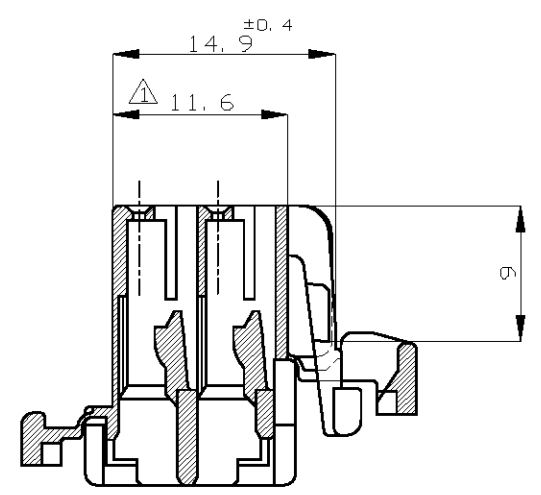
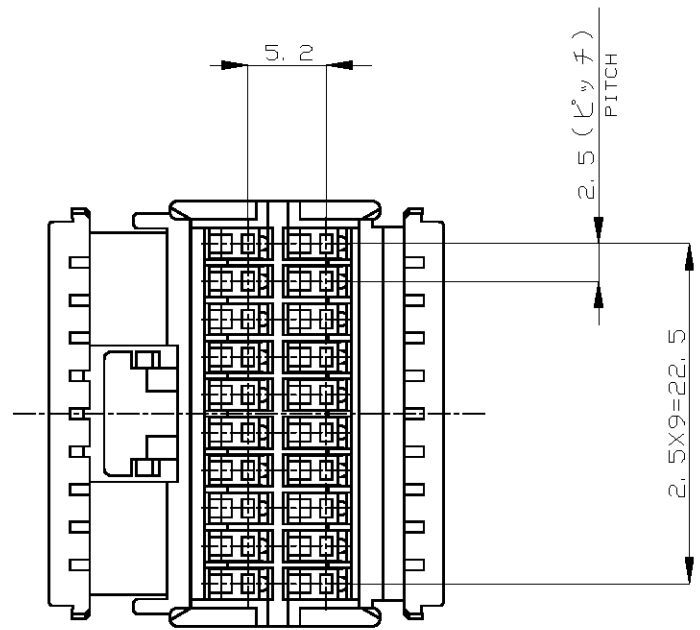
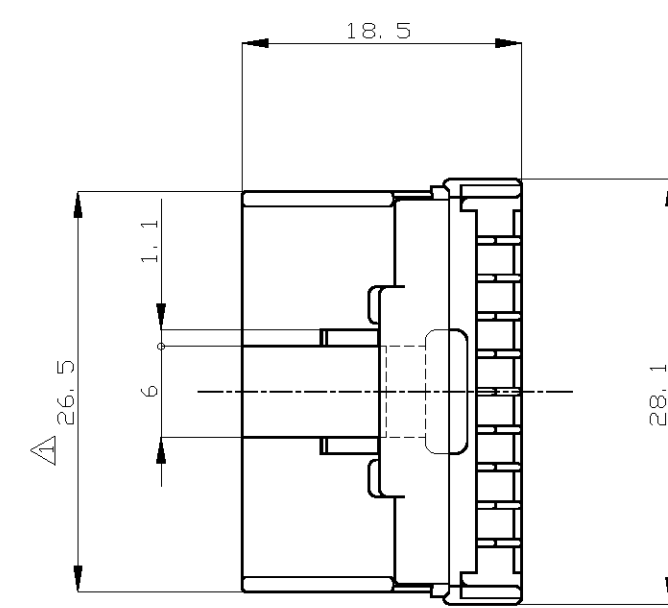
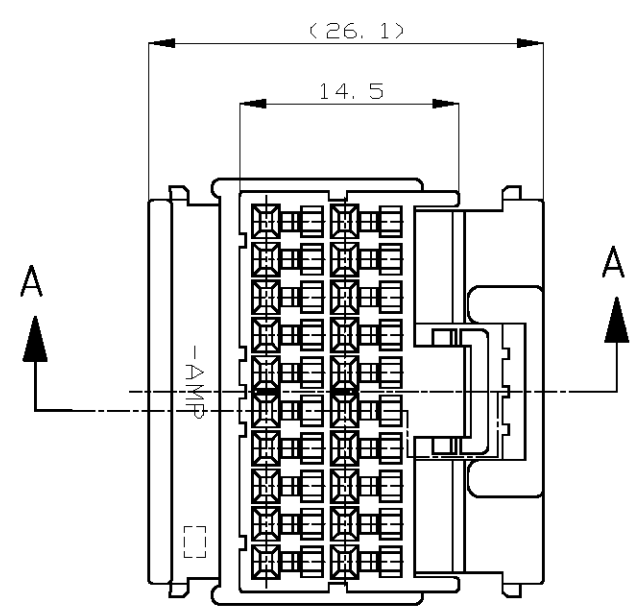
Email & Skype: info@chipsmall.com Web: www.chipsmall.com

Address: A1208, Overseas Decoration Building, #122 Zhenhua RD., Futian, Shenzhen, China



THIS DRAWING IS UNPUBLISHED. RELEASED FOR PUBLICATION
 © COPYRIGHT - By - ALL RIGHTS RESERVED.

LOC	DIST	REVISIONS					
		P	LTR	DESCRIPTION	DATE	DWN	APVD
J	-	G3	REVISED	ECR-13-018510	08JAN2014	TS	KB



二重ロック時
DOUBLE LOCKED


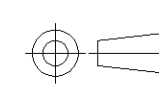
A-A

OBSOLETE	色 (COLOR)	製品型番 (PART NO.)
	オレンジ (ORANGE)	174047-8
	青 (BLUE)	174047-5
	緑 (GREEN)	174047-4
	黒 (BLACK)	174047-2
	白 (WHITE)	174047-1
	色 (COLOR)	製品型番 (PART NO.)

- △ TO BE MEASURED WITHIN 2mm FROM [-T-]
- △ APPLICABLE PRODUCT SPEC. NO. 108-5244, 108-5352
- 3. THE MATING CAP HOUSING NUMBERS: 174977, 174055, 175652, 174146, 178460, 174149, AND 174151
- 4. APPLIED CONTACT PART NUMBER: 173681, 175180

- △ [-T-] 面より2mmの範囲で測定
- △ 適用製品規格番号 108-5244, 108-5352
- 3. 嵌合相手ハウジング型番; 174977, 174055, 175652, 174146, 178460, 174149 AND 174151
- 4. 内装するコンタクト型番: 173681, 175180

TOLERANCE UNLESS OTHERWISE SPECIFIED: 一般公差	
0 < x ≤ 10	: ±0.2
10 < x ≤ 30	: ±0.25
30 < x ≤ 100	: ±0.3
ANGLE ; 角度	: ±3°

THIS DRAWING IS A CONTROLLED DOCUMENT.		DWN M.SUGAWARA 07AUG06		 TE Connectivity	
DIMENSIONS: 単位: 耗 mm		CHK T.SHINOHARA 07AUG06			
TOLERANCES UNLESS OTHERWISE SPECIFIED: 一般公差		APVD K.BETSUI 07AUG06		NAME 名称	
		PRODUCT SPEC 製品規格		20POSITION PLUG HOUSING	
MATERIAL 材料 PBT		APPLICATION SPEC 取付適用規格		040SERIES MULTI-LOCK CONNECTOR	
FINISH 仕上		WEIGHT 4.2 g		SIZE A3	CAGE CODE 00779
		CUSTOMER DRAWING		DRAWING NO 番号 C-174047	RESTRICTED TO
				SCALE 尺度 2:1	SHEET 1 OF 1
				REV G3	