



Chipsmall Limited consists of a professional team with an average of over 10 year of expertise in the distribution of electronic components. Based in Hongkong, we have already established firm and mutual-benefit business relationships with customers from,Europe,America and south Asia,supplying obsolete and hard-to-find components to meet their specific needs.

With the principle of “Quality Parts,Customers Priority,Honest Operation,and Considerate Service”,our business mainly focus on the distribution of electronic components. Line cards we deal with include Microchip,ALPS,ROHM,Xilinx,Pulse,ON,Everlight and Freescale. Main products comprise IC,Modules,Potentiometer,IC Socket,Relay,Connector.Our parts cover such applications as commercial,industrial, and automotives areas.

We are looking forward to setting up business relationship with you and hope to provide you with the best service and solution. Let us make a better world for our industry!



Contact us

Tel: +86-755-8981 8866 Fax: +86-755-8427 6832

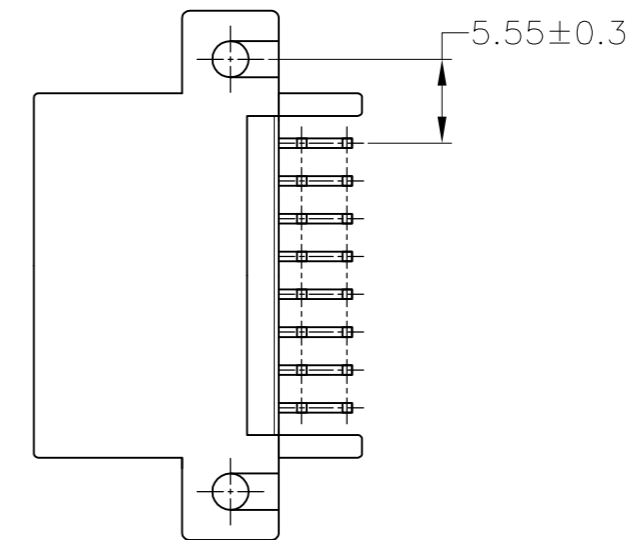
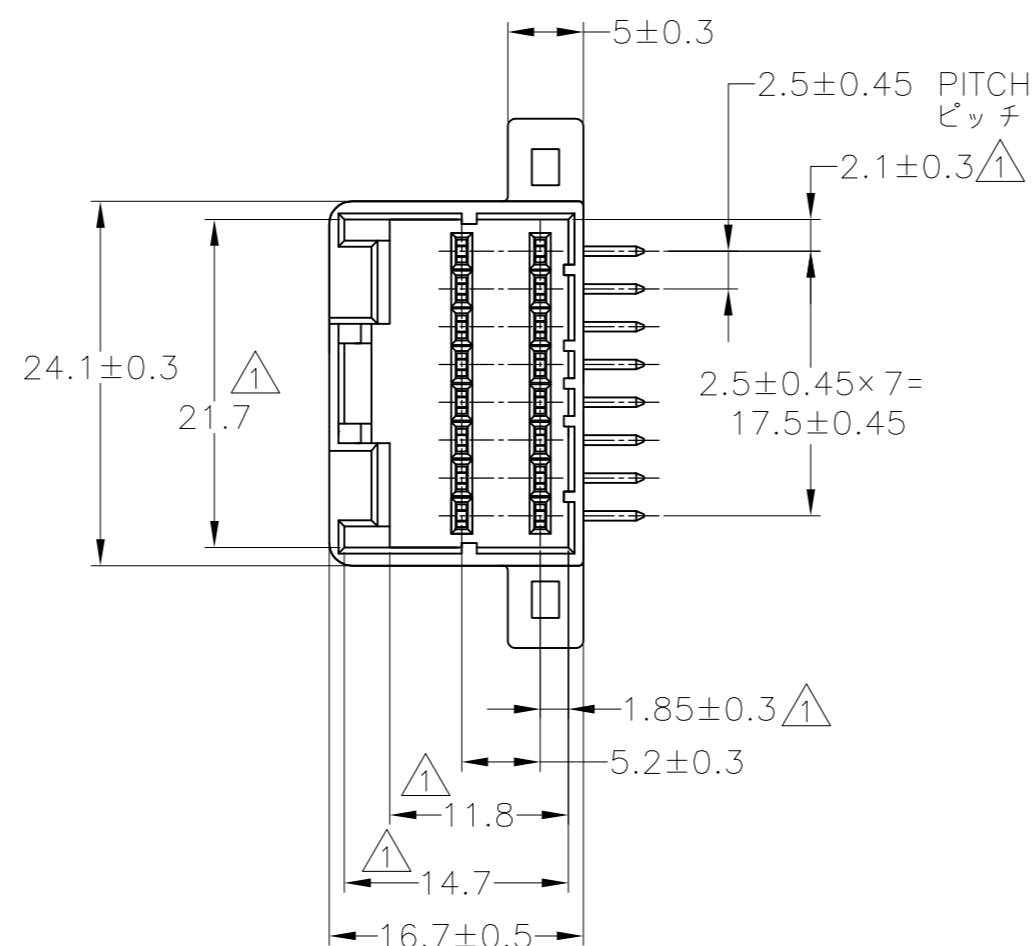
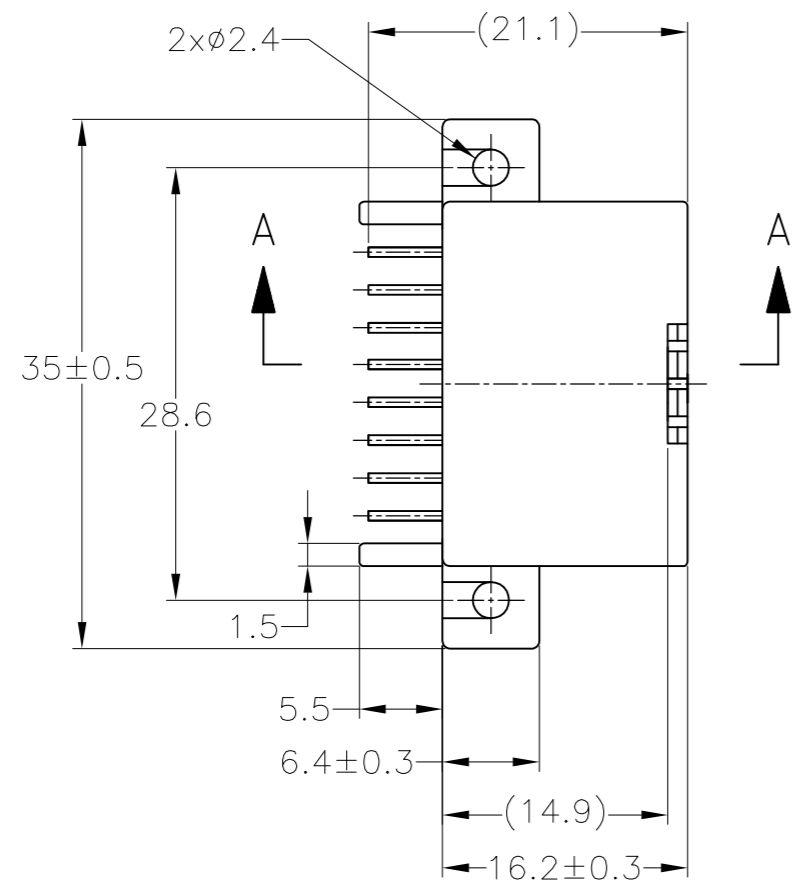
Email & Skype: info@chipsmall.com Web: www.chipsmall.com

Address: A1208, Overseas Decoration Building, #122 Zhenhua RD., Futian, Shenzhen, China



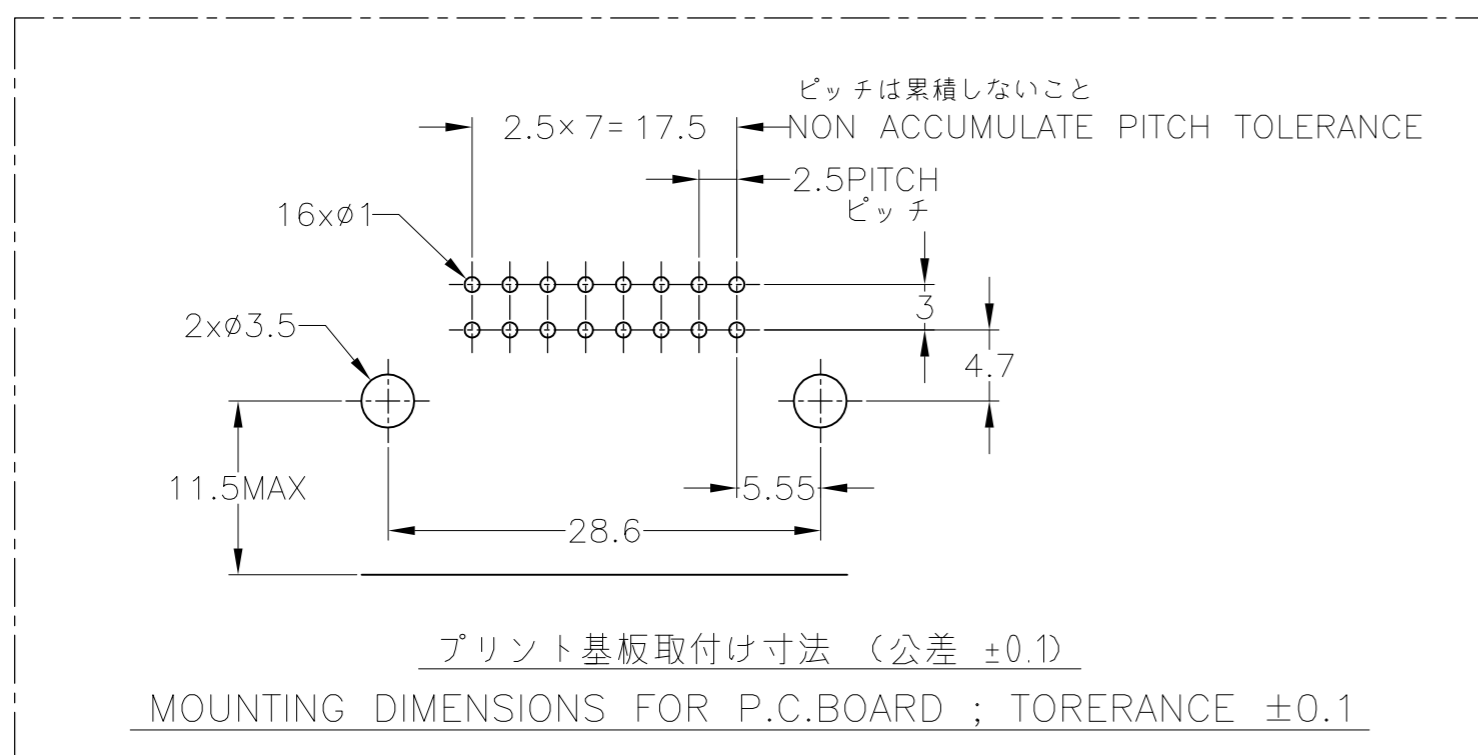
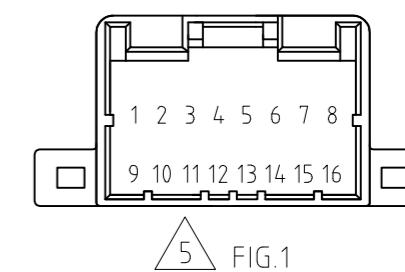
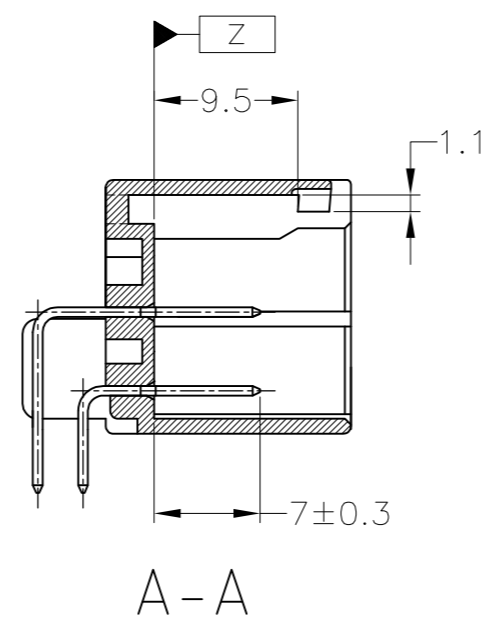
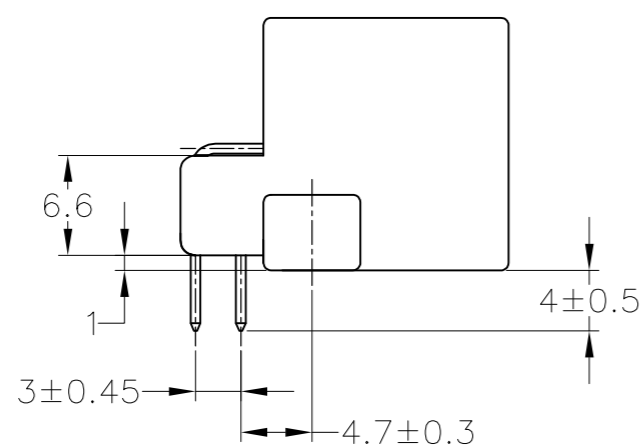
THIS DRAWING IS UNPUBLISHED. RELEASED FOR PUBLICATION
 © COPYRIGHT 2016 By Tyco Electronics Japan G.K. ALL RIGHTS RESERVED.

REVISIONS					
P	LTR	DESCRIPTION	DATE	DWN	APVD
H5	REVISED	ECR-17-002468	06MAR2017	TS	KB



- △ Z面より2mmの範囲で測定。
- 2. 適用プリント基板厚: 1.6mm
- 3. 嵌合相手ハウジング型番: 174046
- 4. 推奨取付けねじ: JIS B1115, B1122 タッピンねじ, なべ2種 呼び径3, 長さ7mm以上 (締付けトルク: 0.4N-m以下)
- △ 回路番号: FIG.1 参照
- 6. 製品規格番号: 108-5244, 取扱説明書: 411-5883

- △ TO BE MEASURED WITHIN 2mm FROM Z
- 2. APPLICABLE P.C.BOARD THICKNESS: 1.6mm
- 3. THE MATING PLUG HOUSING PART NUMBER: 174046
- 4. RECOMMENDED MOUNTING SCREW: 3mm DIA, 7mm LENGTH (MIN.) PAN HEAD, CLASS 2 TAPPING SCREW SPECIFIED IN JIS B1115, B1122 (TIGHTENING TORQUE: 0.4N-m MAX.)
- △ CIRCUIT NUMBER: SEE FIG.1
- 6. PRODUCT SPECIFICATION: 108-5244 INSTRUCTION SHEET: 411-5883



TOLERANCE UNLESS OTHERWISE SPECIFIED:
 一般公差

0 < x ≤ 10	: ±0.2
10 < x ≤ 30	: ±0.25
30 < x ≤ 100	: ±0.3
ANGLE	: ±3°

THIS DRAWING IS A CONTROLLED DOCUMENT.

DIMENSIONS: mm	TOLERANCES UNLESS OTHERWISE SPECIFIED:
0 PLC ±	1 PLC ± -
2 PLC ± -	3 PLC ± -
4 PLC ± -	ANGLES ± -
MATERIAL: HOUSING: PBT CONTACT: BRASS	FINISH: SEE TABLE

SELECTIVE TIN (MATTE)	SELECTIVE GOLD x 16	1~16	BLACK 黒色	1-5174053-2
TIN-LEAD	SELECTIVE GOLD x 2	5,6	BLACK 黒色	3-174053-2
PRE-TIN x 14				2-174053-2
SEE DWG 2-174053-2				
OBSOLETE	TIN-LEAD	SELECTIVE GOLD x 16	1~16	BLACK 黒色 1-174053-2
	PRE-TIN x 16		BLUE 青色	174053-5
	PRE-TIN x 16		GREEN 緑色	174053-4
	PRE-TIN x 16		BLACK 黒色	174053-2
SOLDERING SIDE 半田付け部	CONTACT SIDE 接触部	△ GOLD PLATED CIRCUIT NO. 金めっき回路番号		COLOR 色
CONTACT FINISH コンタクト仕上		PART NUMBER 製品型番		
TE Connectivity				
040 SERIES MULTI-LOCK I/O CONNECTOR 16POSITION CAP HOUSING ASSEMBLY				
WEIGHT 8.4 g	SIZE A2	CAGE CODE 00779	DRAWING NO. C=174053	RESTRICTED TO -
CUSTOMER DRAWING		SCALE 2:1	SHEET 1 of 1	REV H5

174053

B

A