



Chipsmall Limited consists of a professional team with an average of over 10 year of expertise in the distribution of electronic components. Based in Hongkong, we have already established firm and mutual-benefit business relationships with customers from,Europe,America and south Asia,supplying obsolete and hard-to-find components to meet their specific needs.

With the principle of “Quality Parts,Customers Priority,Honest Operation,and Considerate Service”,our business mainly focus on the distribution of electronic components. Line cards we deal with include Microchip,ALPS,ROHM,Xilinx,Pulse,ON,Everlight and Freescale. Main products comprise IC,Modules,Potentiometer,IC Socket,Relay,Connector.Our parts cover such applications as commercial,industrial, and automotives areas.

We are looking forward to setting up business relationship with you and hope to provide you with the best service and solution. Let us make a better world for our industry!



## Contact us

Tel: +86-755-8981 8866 Fax: +86-755-8427 6832

Email & Skype: info@chipsmall.com Web: www.chipsmall.com

Address: A1208, Overseas Decoration Building, #122 Zhenhua RD., Futian, Shenzhen, China



THIS DRAWING IS UNPUBLISHED.

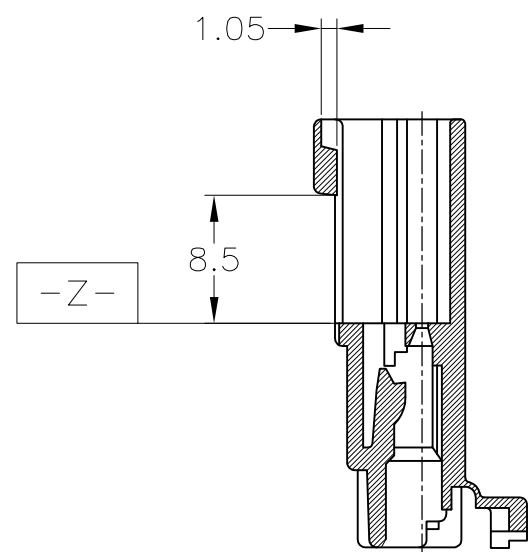
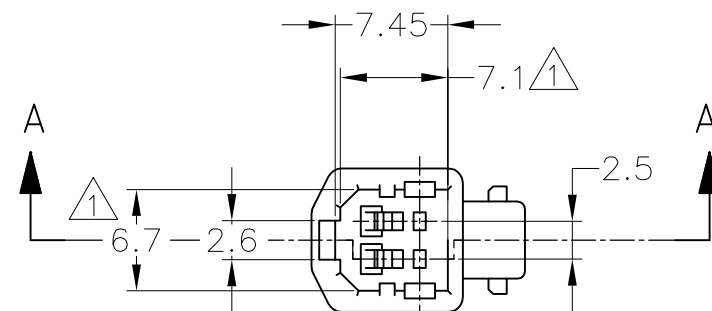
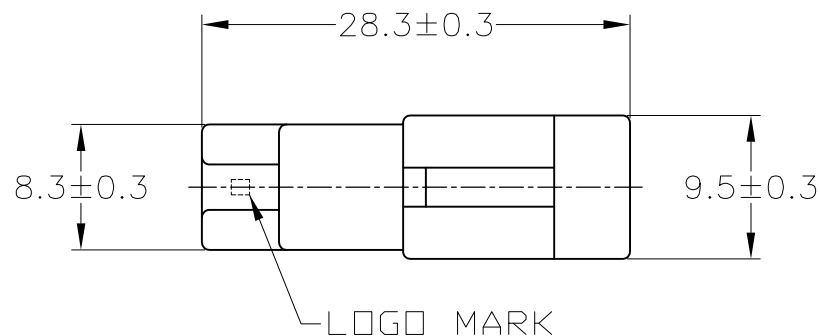
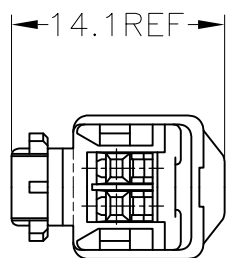
RELEASED FOR PUBLICATION

-. -. .

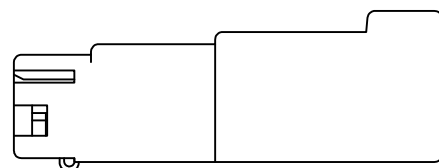
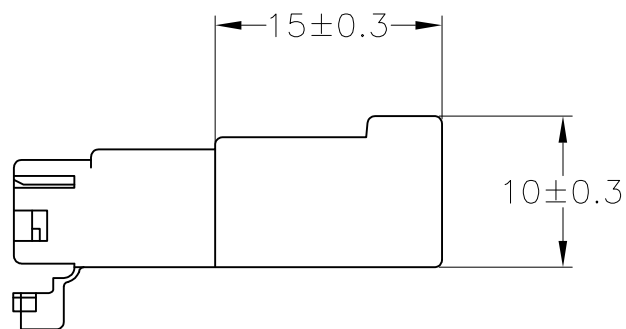
© COPYRIGHT - By -

ALL RIGHTS RESERVED.

LOC	DIST	REVISIONS					
J	-	P	LTR	DESCRIPTION	DATE	DWN	APVD
			C2	REVISED PER ECO-11-005140	28MAR11	RK	HMR



A-A



二重ロック時  
DOUBLE LOCKED

△ TO BE MEASURED WITHIN 2mm FROM -Z-  
 2. APPLICABLE CONTACT PART NUMBER: 173682, 175206

△ -Z- 面から 2mm の範囲で測定  
 2. 適用端子型番: 173682, 175206

青 (BLUE)	174057-5
緑 (GREEN)	174057-4
黒 (BLACK)	174057-2
色 (COLOR)	製品型番 (PART NO.)

TOLERANCE UNLESS OTHERWISE SPECIFIED:  
一般公差

0 < x ≤ 10	: ±0.2
10 < x ≤ 30	: ±0.25
30 < x ≤ 100	: ±0.3
ANGLE ; 角度	: ±3°

THIS DRAWING IS A CONTROLLED DOCUMENT.

DIMENSIONS: 単位: 耗 mm	TOLERANCES UNLESS OTHERWISE SPECIFIED: 一般公差
	0 PLC ± - 1 PLC ± - 2 PLC ± - 3 PLC ± - 4 PLC ± - ANGLES ± -
MATERIAL 材料	FINISH 仕上
PBT	-

DWN M.SUGAWARA	02AUG06	TE Connectivity 2POSITION CAP HOUSING 040SERIES MULTI-LOCK CONNECTOR		RESTRICTED TO		
CHK K.BETSUI	02AUG06			NAME 名称	-	
APVD K.BETSUI	02AUG06			PRODUCT SPEC 製品規格	-	
APPLICATION SPEC 取付適用規格	-			SIZE	CAGE CODE	DRAWING NO 番号
CUSTOMER DRAWING		WEIGHT	-	A300779	G-174057	
		SCALE 尺度	2:1	SHEET 1 OF 1	REV C2	