



Chipsmall Limited consists of a professional team with an average of over 10 year of expertise in the distribution of electronic components. Based in Hongkong, we have already established firm and mutual-benefit business relationships with customers from,Europe,America and south Asia,supplying obsolete and hard-to-find components to meet their specific needs.

With the principle of “Quality Parts,Customers Priority,Honest Operation,and Considerate Service”,our business mainly focus on the distribution of electronic components. Line cards we deal with include Microchip,ALPS,ROHM,Xilinx,Pulse,ON,Everlight and Freescale. Main products comprise IC,Modules,Potentiometer,IC Socket,Relay,Connector.Our parts cover such applications as commercial,industrial, and automotives areas.

We are looking forward to setting up business relationship with you and hope to provide you with the best service and solution. Let us make a better world for our industry!



## Contact us

Tel: +86-755-8981 8866 Fax: +86-755-8427 6832

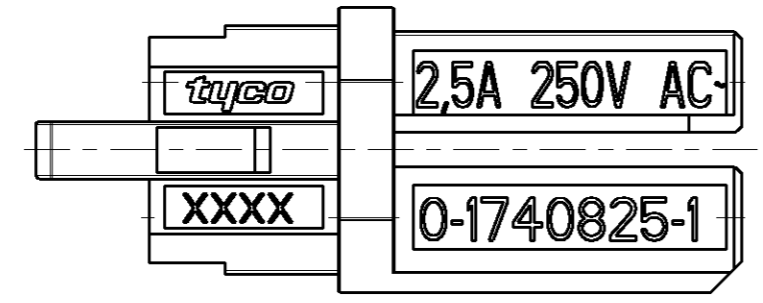
Email & Skype: info@chipsmall.com Web: www.chipsmall.com

Address: A1208, Overseas Decoration Building, #122 Zhenhua RD., Futian, Shenzhen, China



THIS DRAWING IS UNPUBLISHED. RELEASED FOR PUBLICATION 2006  
 © COPYRIGHT 2006 BY TYCO ELECTRONICS CORPORATION. ALL RIGHTS RESERVED.

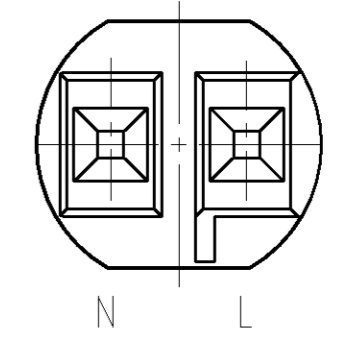
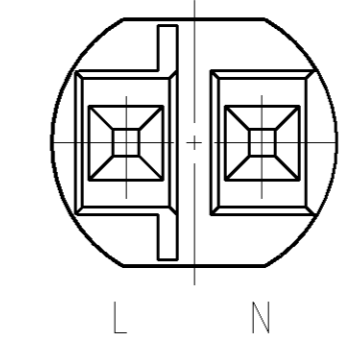
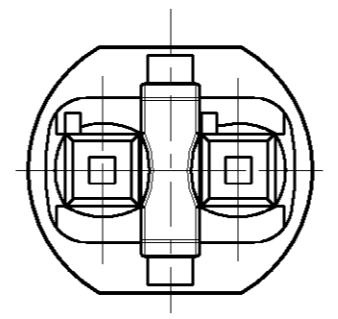
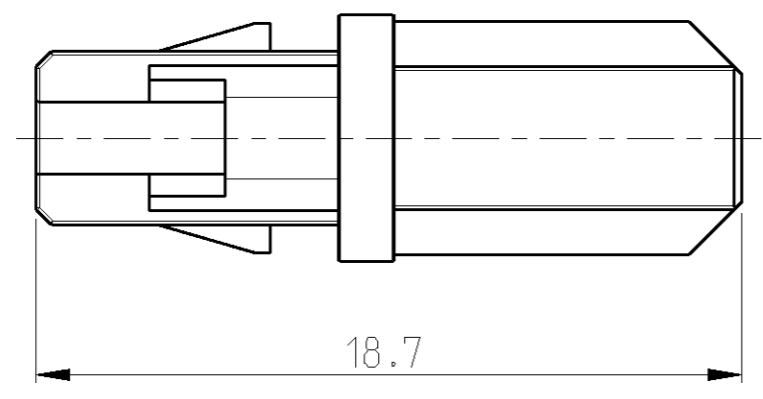
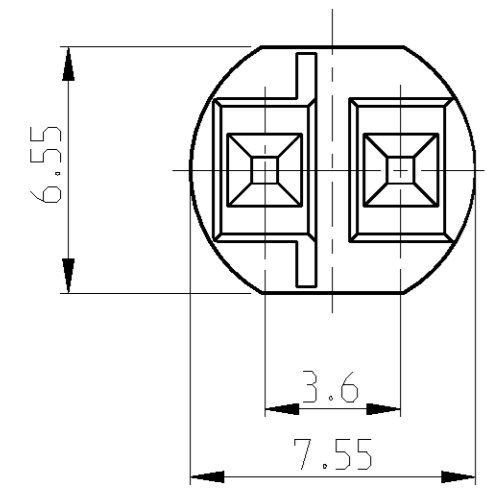
LOC	DIST	REVISIONS					
		P	LTR	DESCRIPTION	DATE	DWN	APVD
A1	-			NEW	02AUG2006	SKA	TG
A2	-			L-N marking of HV-5 changed	30OCT2006	SKA	TG
A3	-			PN correction in table	02NOV2006	SKA	TG



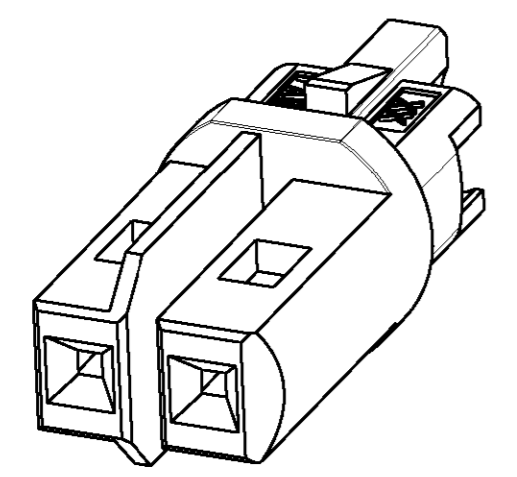
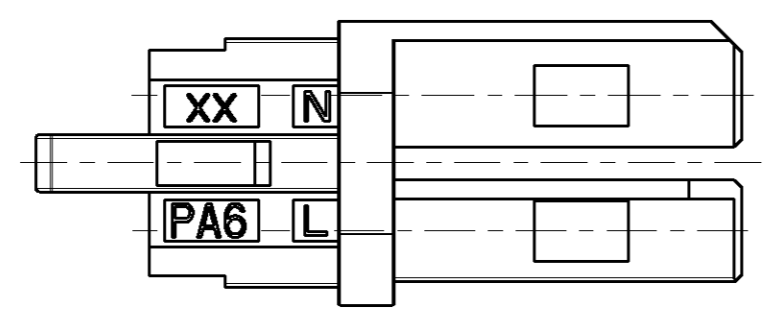
HIGH-VOLTAGE

Keying HV-4

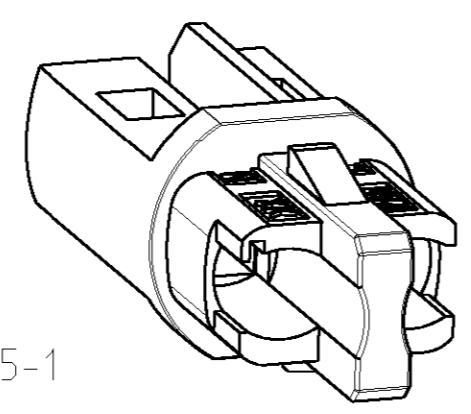
Keying HV-5



Material: PA6  
 Volume appr. 273cm<sup>3</sup>



PN 1740825-1 shown



HV-5	0-1740825-4	A	HIGH-VOLTAGE 250 V	2.5A/250V AC~	BLACK
HV-5	0-1740825-3	A	HIGH-VOLTAGE 250 V	2.5A/250V AC~	NATURAL (WHITE)
HV-4	0-1740825-2	A	HIGH-VOLTAGE 250 V	2.5A/250V AC~	BLACK
HV-4	0-1740825-1	A	HIGH-VOLTAGE 250 V	2.5A/250V AC~	NATURAL (WHITE)
Keying	PN	Rev.	BEMERKUNGEN/REMARKS	Marking	Farbe/COLOR

<small>THIS DRAWING IS A CONTROLLED DOCUMENT FOR TYCO ELECTRONICS CORPORATION. IT IS SUBJECT TO CHANGE AND THE CONTROLLING ENGINEERING ORGANIZATION SHOULD BE CONTACTED FOR THE LATEST REVISION.</small>		DWN H.K.ÜC.ÜK 02AUG2006 CHK S.SKADE 02AUG2006 APVD T.GERLACH 02AUG2006	<b>tyco</b> Electronics tyco Electronics AMP GmbH D - 64625 Bensheim
DIMENSIONS: mm	TOLERANCES UNLESS OTHERWISE SPECIFIED: 1. PL ±0.2 2. PAC ± 3. PAC ± 4. PL ± ANGLES ±° FINISH	PRODUCT SPEC APPLICATION SPEC WEIGHT	NAME MINI HVL LIGHTING SYSTEM 7.5mm PLUG SIZE A2 CAGE CODE 00779 DRAWING NO. C-1740825 RESTRICTED TO
MATERIAL PA 6		CUSTOMER DRAWING	SCALE 5:1 SHEET 1 OF 1 REV A3