



Chipsmall Limited consists of a professional team with an average of over 10 year of expertise in the distribution of electronic components. Based in Hongkong, we have already established firm and mutual-benefit business relationships with customers from,Europe,America and south Asia,supplying obsolete and hard-to-find components to meet their specific needs.

With the principle of “Quality Parts,Customers Priority,Honest Operation,and Considerate Service”,our business mainly focus on the distribution of electronic components. Line cards we deal with include Microchip,ALPS,ROHM,Xilinx,Pulse,ON,Everlight and Freescale. Main products comprise IC,Modules,Potentiometer,IC Socket,Relay,Connector.Our parts cover such applications as commercial,industrial, and automotives areas.

We are looking forward to setting up business relationship with you and hope to provide you with the best service and solution. Let us make a better world for our industry!



Contact us

Tel: +86-755-8981 8866 Fax: +86-755-8427 6832

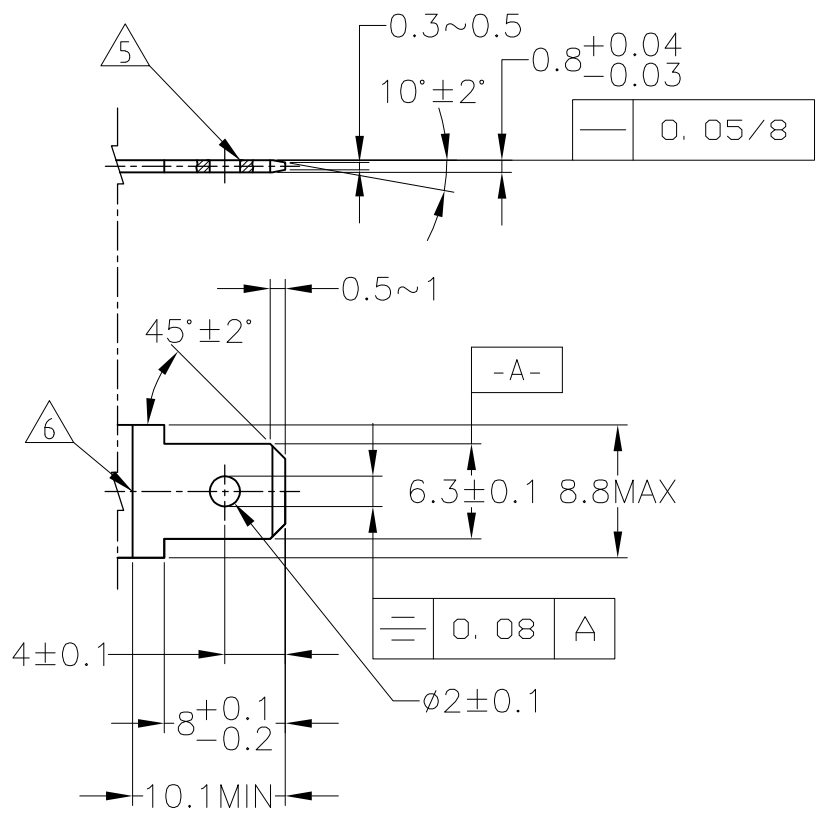
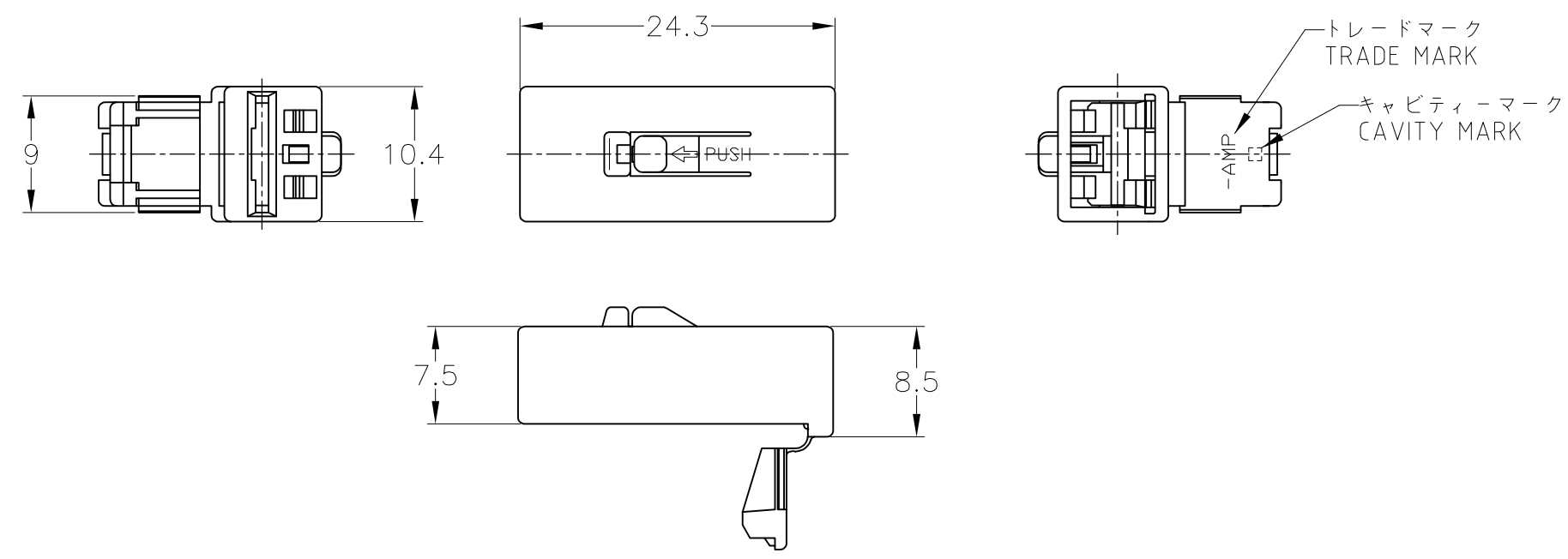
Email & Skype: info@chipsmall.com Web: www.chipsmall.com

Address: A1208, Overseas Decoration Building, #122 Zhenhua RD., Futian, Shenzhen, China

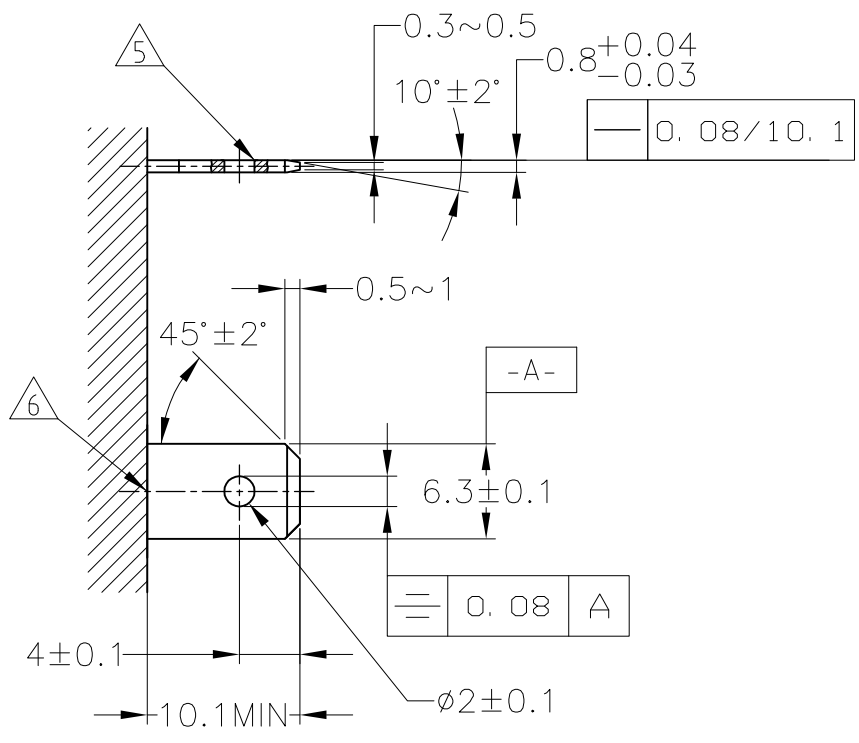


THIS DRAWING IS UNPUBLISHED. RELEASED FOR PUBLICATION
 © COPYRIGHT - By - ALL RIGHTS RESERVED.

LOC	DIST	REVISIONS					
J	-	P	LTR	DESCRIPTION	DATE	DWN	APVD
			C1	REVISED PER ECO-11-005140	28MAR11	RK	HMR



ショルダーを突き当てとする時



樹脂等を突き当てとする時

1. PRODUCT SPEC NO. 108-5150
2. APPLICATION SPEC NO. 114-5060
3. CUSTOMER MANUAL NO. CM154J
4. APPLIDE CONTACT PN 170452, 170454
5. WORKMANSHIP OF THE TAB HOLE EDGES MUST BE SUCH THAT EDGES MUST BE FREE FROM THE BURRS, WITH THE SHEAR DROOP NOT EXCEEDING 0.1 MILLIMETER
6. CLEARANCE LINE FOR TAB TO MATE WITH COUNTERPART HOUSING

1. 製品規格番号：108-5150
2. 取付適用規格番号：114-5060
3. 取扱説明書番号：CM-154J
4. 適用コンタクト型番：170452, 170454
5. タブ穴加工の際、バリがなく穴のダレは0.1を越えないこと
6. この部分迄ハウジングが挿入されるための必要スペース

茶 / BROWN	174090-3
黒 / BLACK	174090-2
自然色 / NATURAL	174090-1
色 / COLOR	型番 / PART NUMBER

タブ寸法推奨図
 RECOMMENDED MATING TAB DESIGN

仕上げ：メッキなし又は錫メッキ
 FINISH: PLAIN OR ELECTRO-TIN
 材料：7/3黄銅 0.8t JIS-3100C-2600P-1/2H
 MATERIAL: 70/30 BRASS, t=0.8

一般公差 (GENERAL TOLERANCE)	
10以下	±0.2
10を超え 30以下	±0.25
30を超え 100以下	±0.3
角 度	±3°

THIS DRAWING IS A CONTROLLED DOCUMENT.	
DIMENSIONS: mm	TOLERANCES UNLESS OTHERWISE SPECIFIED:
	0 PLC ±-
	1 PLC ±-
	2 PLC ±-
	3 PLC ±-
	4 PLC ±-
ANGLES ±-	
FINISH	
MATERIAL	66 ナイロン 66 NYLON

DWN T.SHINOHARA 17AUG09	STE TE Connectivity		
CHK K.BETSUI 17AUG09			
APVD K.BETSUI 17AUG09	NAME		
PRODUCT SPEC	250 POSITIVE LOCK 1POS. PLUG HOUSING LOW PRO TYPE CONNECTOR		
APPLICATION SPEC	SIZE	CAGE CODE	DRAWING NO
WEIGHT -	A3	00779	C-174090
CUSTOMER DRAWING		SCALE 2:1	SHEET 1 OF 1
		RESTRICTED TO -	REV C1