



Chipsmall Limited consists of a professional team with an average of over 10 year of expertise in the distribution of electronic components. Based in Hongkong, we have already established firm and mutual-benefit business relationships with customers from,Europe,America and south Asia,supplying obsolete and hard-to-find components to meet their specific needs.

With the principle of “Quality Parts,Customers Priority,Honest Operation,and Considerate Service”,our business mainly focus on the distribution of electronic components. Line cards we deal with include Microchip,ALPS,ROHM,Xilinx,Pulse,ON,Everlight and Freescale. Main products comprise IC,Modules,Potentiometer,IC Socket,Relay,Connector.Our parts cover such applications as commercial,industrial, and automotives areas.

We are looking forward to setting up business relationship with you and hope to provide you with the best service and solution. Let us make a better world for our industry!



Contact us

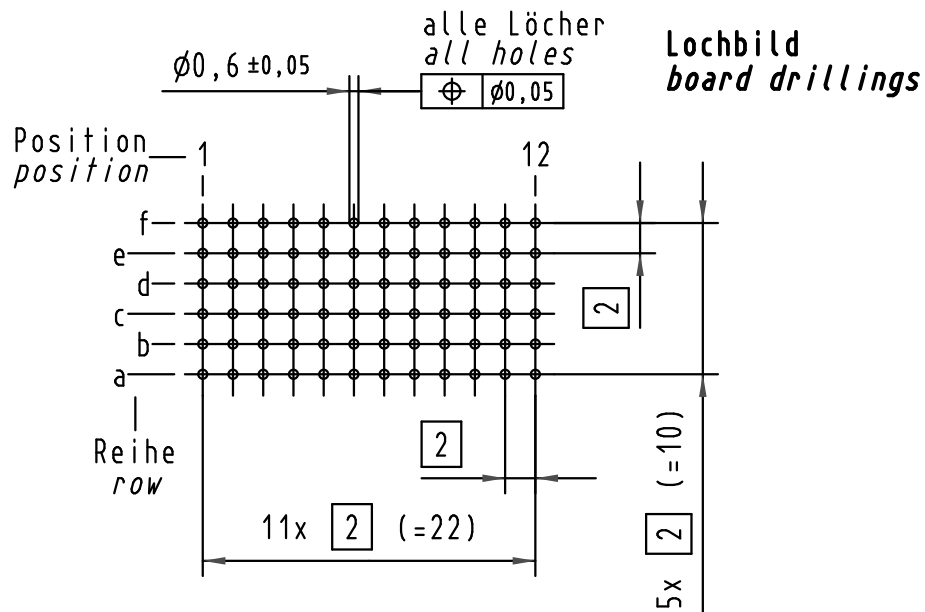
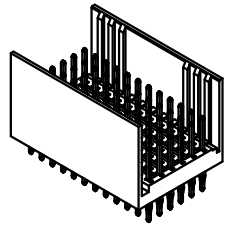
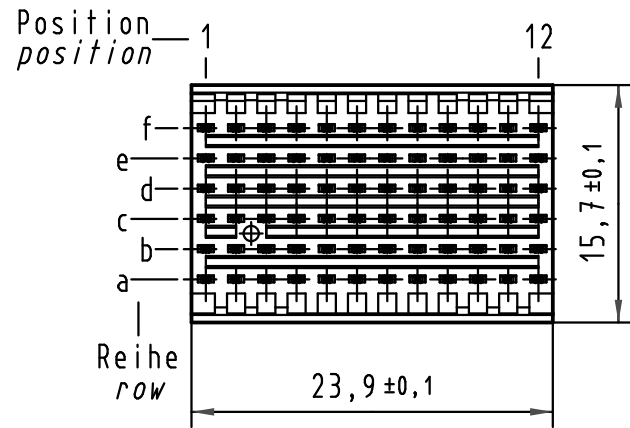
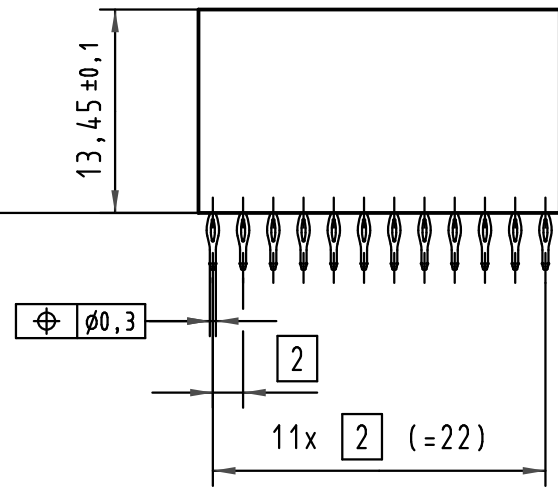
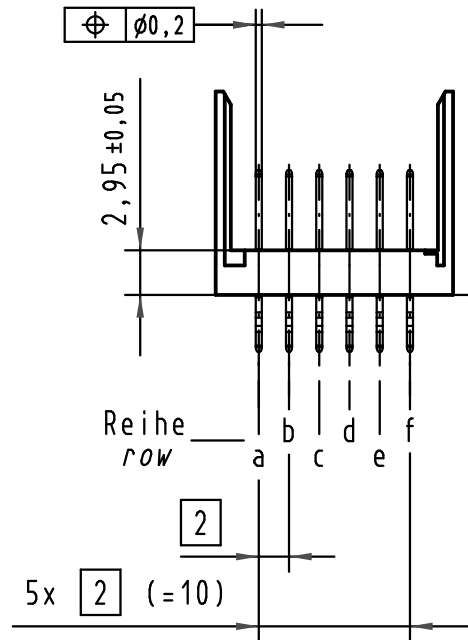
Tel: +86-755-8981 8866 Fax: +86-755-8427 6832

Email & Skype: info@chipsmall.com Web: www.chipsmall.com

Address: A1208, Overseas Decoration Building, #122 Zhenhua RD., Futian, Shenzhen, China



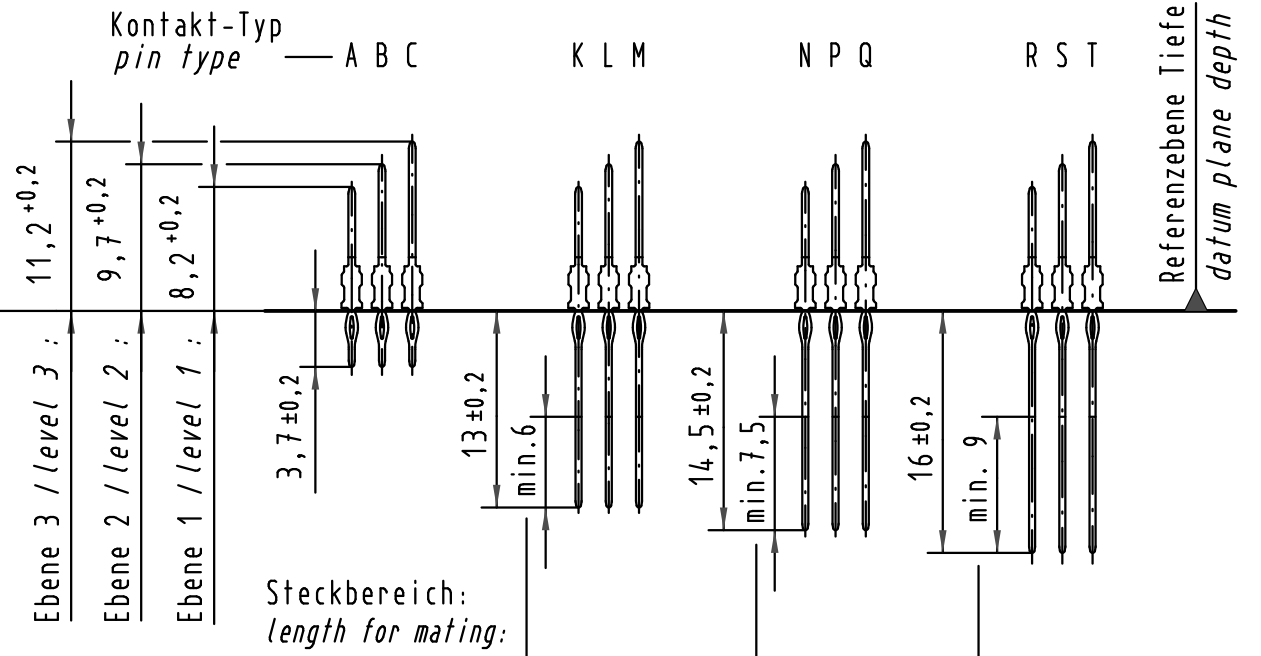
Alle Rechte vorbehalten/ All rights reserved



Bohrlochdurchmesser: $\varnothing 0,7 \pm 0,02$
 Lochdurchmesser (mit Oberfläche): $\varnothing 0,6 \pm 0,05$
 drill hole dia.: $\varnothing 0,7 \pm 0,02$
 finished hole dia. (after plating): $\varnothing 0,6 \pm 0,05$

Kontakt-Maße contact dimensions

(Längen der Steck- und Anschlußseite gelten für eingepreßte Steckverbinder)
 (mating and termination length of contacts apply to pressed in connectors)



f	A	A	A	A	A	A	A	A	A	A	A	A	A	A	A
e	A	A	A	A	A	A	A	A	A	A	A	A	A	A	A
d	A	A	A	A	A	A	A	A	A	A	A	A	A	A	A
c	A	A	A	A	A	A	A	A	A	A	A	A	A	A	A
b	A	A	A	A	A	A	A	A	A	A	A	A	A	A	A
a	A	A	A	A	A	A	A	A	A	A	A	A	A	A	A
	1	2	3	4	5	6	7	8	9	10	11	12			

Kontaktbelegung
contact loading

17 41 072 4204	-	min. 0,127µm Au over min. 0,635µm (25µin) PdNi over min. 1,27µm (50µin) Ni
17 41 072 2204	2	Au flash over PdNi over Ni
17 41 072 1204	1	Au flash over PdNi over Ni
Bestell-Nr. part-no.	Anforderungsstufe nach IEC performance level acc. to IEC	Kontaktoberfläche contact plating

All Dimensions in mm Original Size DIN A 3		Techn. Character.		Nicht tolerierte Maß/Free size tolerances	
		Dat.	Name	har-bus HM Messerleiste 6-reihig 72 pol., Anschlußlänge 3,7 mm har-bus HM male connector 6-row 72 pol., termination length 3,7 mm	
		Detail.	23.03.04 Buß.		
		Insp.	23.03.04 Ko		
		Stand.			
34337	10.05.07	Hage.		TB 17 41 072 x204	
31807					
Mod.	Dat.	Name			
HARTING Electronics GmbH & Co. KG D-32339 ESPELKAMP				Blatt/page Sub.	