



Chipsmall Limited consists of a professional team with an average of over 10 year of expertise in the distribution of electronic components. Based in Hongkong, we have already established firm and mutual-benefit business relationships with customers from,Europe,America and south Asia,supplying obsolete and hard-to-find components to meet their specific needs.

With the principle of “Quality Parts,Customers Priority,Honest Operation,and Considerate Service”,our business mainly focus on the distribution of electronic components. Line cards we deal with include Microchip,ALPS,ROHM,Xilinx,Pulse,ON,Everlight and Freescale. Main products comprise IC,Modules,Potentiometer,IC Socket,Relay,Connector.Our parts cover such applications as commercial,industrial, and automotives areas.

We are looking forward to setting up business relationship with you and hope to provide you with the best service and solution. Let us make a better world for our industry!



Contact us

Tel: +86-755-8981 8866 Fax: +86-755-8427 6832

Email & Skype: info@chipsmall.com Web: www.chipsmall.com

Address: A1208, Overseas Decoration Building, #122 Zhenhua RD., Futian, Shenzhen, China



4

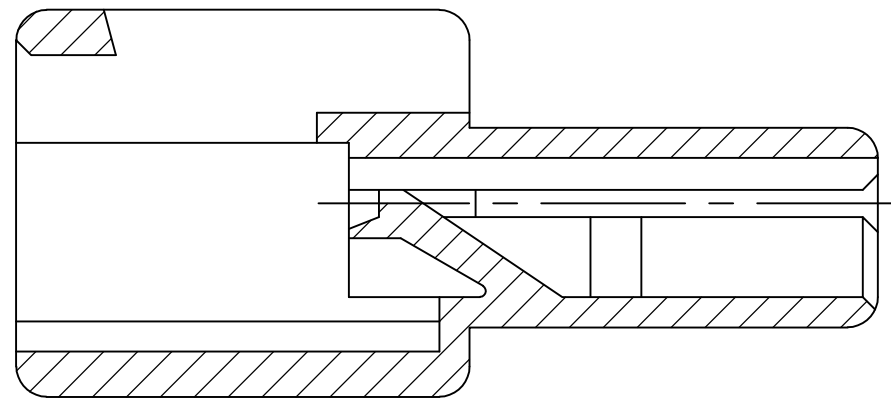
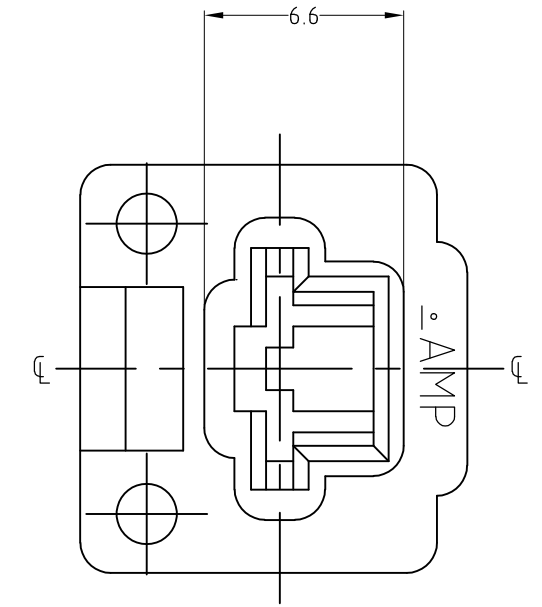
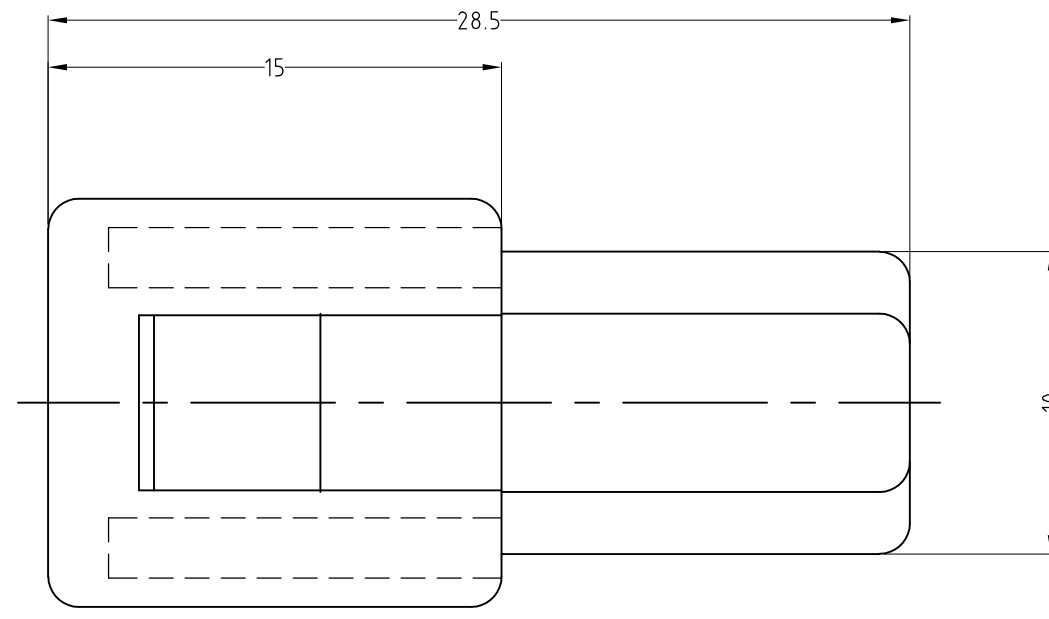
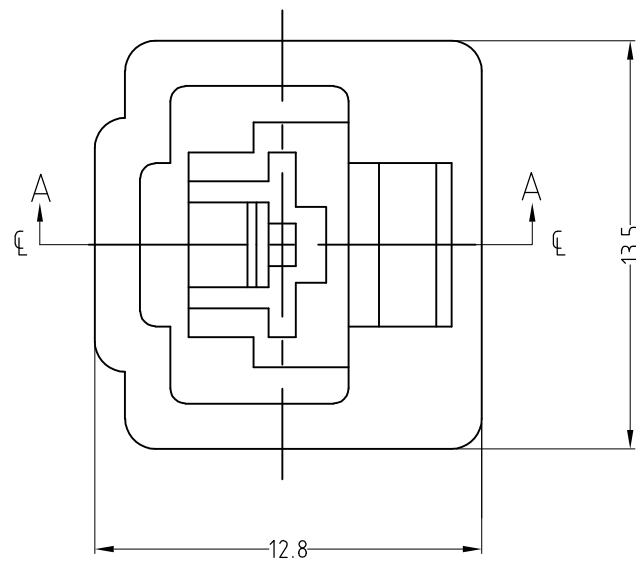
3

2

1

THIS DRAWING IS UNPUBLISHED. RELEASED FOR PUBLICATION
 © COPYRIGHT BY TYCO ELECTRONICS CORPORATION. ALL RIGHTS RESERVED.

LOC	DIST	REVISIONS			
P	LTR	DESCRIPTION	DATE	DWN	APVD
	0	RELEASED FJD0-0013-03	22FEB2003	T.H	M.S
	01	REVISED PER ECO-09-024717	02DEC09	KK	AEG



SECTION A-A

RED	174195-9
ORANGE	174195-8
YELLOW	174195-7
GRAY	174195-6
3 OBSOLETE	BLUE 174195-5
GREEN	174195-4
BROWN	174195-3
BLACK	174195-2
NATURAL	174195-1
COLOR	PARTS NUMBER

- NOTES.
 1. THE MATING PLUG HOUSING PART NUMBER : 174196
 2. APPLICABLE CONTACT PART NUMBER : 170349 , 170340, 170341
3 OBSOLETE PARTS: OBSOLETE CIS STREAMLINING PER D.RENAUD/D.SINISI

THIS DRAWING IS A CONTROLLED DOCUMENT.		DWN : BH CHO 09JAN2003	Tyco Electronics AMP K.K. Kawasaki, Japan			
DIMENSIONS: MM		CHK : BW KANG 09JAN2003				
TOLERANCES UNLESS OTHERWISE SPECIFIED: ±0.3		APVD : CS LEE 09JAN2003	NAME			
		PRODUCT SPEC	1 P CAP HOUSING			
		APPLICATION SPEC	250 SERIES HOUSING LANCE CONNECTOR			
MATERIAL: 66 NYLON	FINISH: -	WEIGHT: -	SIZE: A3	CAGE CODE: 00779	DRAWING NO: 174195	RESTRICTED TO: -
CUSTOMER DRAWING			SCALE: 4:1	SHEET: 1 OF 1	REV: 01	