



Chipsmall Limited consists of a professional team with an average of over 10 year of expertise in the distribution of electronic components. Based in Hongkong, we have already established firm and mutual-benefit business relationships with customers from,Europe,America and south Asia,supplying obsolete and hard-to-find components to meet their specific needs.

With the principle of “Quality Parts,Customers Priority,Honest Operation,and Considerate Service”,our business mainly focus on the distribution of electronic components. Line cards we deal with include Microchip,ALPS,ROHM,Xilinx,Pulse,ON,Everlight and Freescale. Main products comprise IC,Modules,Potentiometer,IC Socket,Relay,Connector.Our parts cover such applications as commercial,industrial, and automotives areas.

We are looking forward to setting up business relationship with you and hope to provide you with the best service and solution. Let us make a better world for our industry!



Contact us

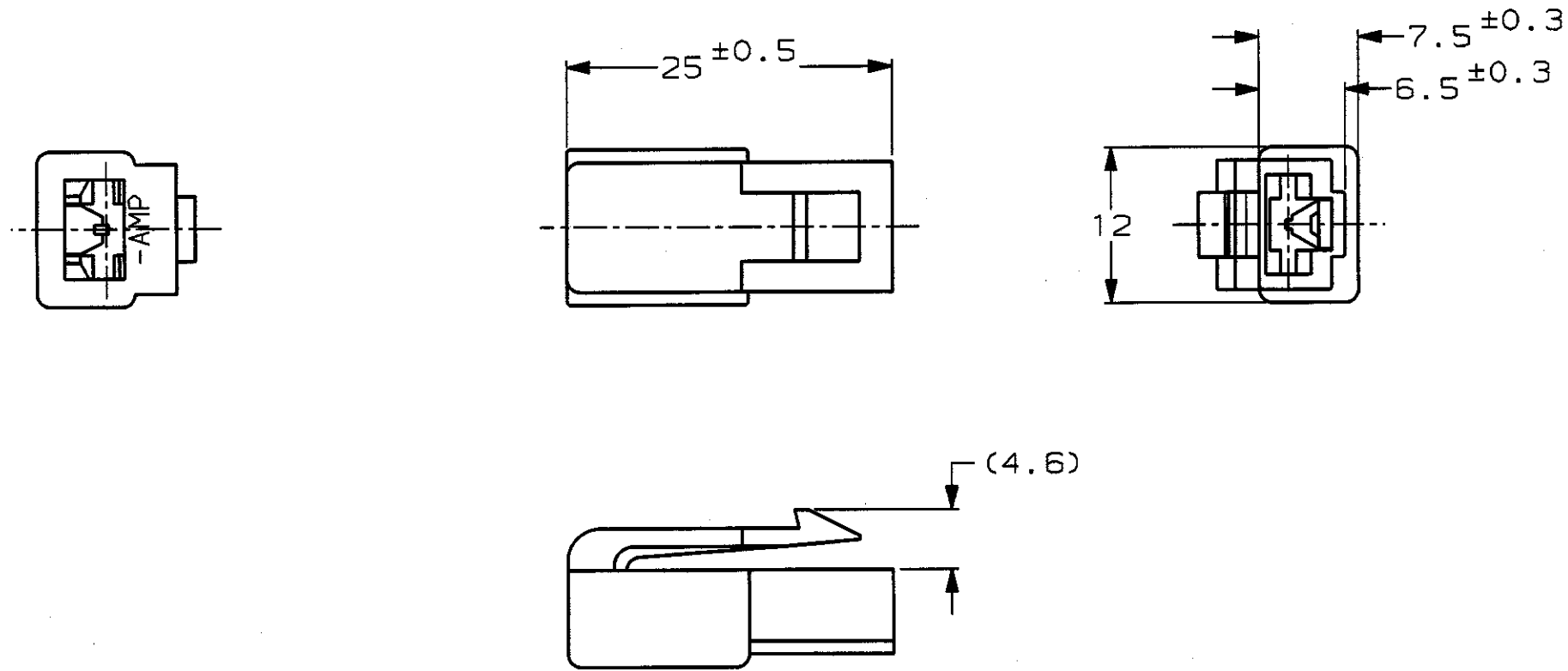
Tel: +86-755-8981 8866 Fax: +86-755-8427 6832

Email & Skype: info@chipsmall.com Web: www.chipsmall.com

Address: A1208, Overseas Decoration Building, #122 Zhenhua RD., Futian, Shenzhen, China



LOC	DIST	REVISIONS						
		P	LTR	DESCRIPTION	ECN	DATE	DWN	APVD
J		0		RELEASED	FJ00-0603-99	08APR99	TS	KB



1. 嵌合する相手ハウジングは型番 ; 174195
2. 使用端子は型番 ; 170032, 170258, 170384

1. THE MATING CAP HOUSING PART NUMBER ; 174195
2. APPLICABLE CONTACT PART NUMBER ; 170032, 170258, 170384

RED 赤	174196-9
ORANGE 橙	174196-8
YELLOW 黄	174196-7
GRAY 灰	174196-6
BLUE 青	174196-5
GREEN 緑	174196-4
BROWN 茶	174196-3
BLACK 黒	174196-2
NATURAL 自然色	174196-1
COLOR 色	PARTS NUMBER 型番

THIS DRAWING IS A CONTROLLED DOCUMENT FOR AMP INCORPORATED. IT IS SUBJECT TO CHANGE AND THE CONTROLLING ENGINEERING ORGANIZATION SHOULD BE CONTACTED FOR THE LATEST REVISION.		DWN T. SHINOHARA 08APR99	WIRE RANGE 挿合電線断面積		INSULATION DIA 被覆外径
DIMENSIONS 単位: 純 mm		CHK K. BETSUI 08APR99	AMP 日本エー・エム・ピー株式会社 Kawasaki, Japan		
TOLERANCES UNLESS OTHERWISE SPECIFIED 一般公差 10% : ±0.2 30% : ±0.25 100% : ±0.3 ANGLE : ±3°		APVD K. BETSUI	NAME 名称 1Pos PLUG HOUSING 250 SERIES HOUSING LANCE CONNECTOR		
MATERIAL 材料 66 NYLON 66 ナイロン		PRODUCT SPEC 製品規格 108-5147-2	APPLICATION SPEC 取付適用規格 —		
COLOR 色 SEE TABLE 表参照		WEIGHT 1g	SIZE A3	CAGE CODE 00779	DRAWING NO 番号 C= 174196
CUSTOMER DRAWING			RESTRICTED TO —	SCALE 尺度 2:1	SHEET 1 OF 1 REV 0

参考図面