



Chipsmall Limited consists of a professional team with an average of over 10 year of expertise in the distribution of electronic components. Based in Hongkong, we have already established firm and mutual-benefit business relationships with customers from,Europe,America and south Asia,supplying obsolete and hard-to-find components to meet their specific needs.

With the principle of “Quality Parts,Customers Priority,Honest Operation,and Considerate Service”,our business mainly focus on the distribution of electronic components. Line cards we deal with include Microchip,ALPS,ROHM,Xilinx,Pulse,ON,Everlight and Freescale. Main products comprise IC,Modules,Potentiometer,IC Socket,Relay,Connector.Our parts cover such applications as commercial,industrial, and automotives areas.

We are looking forward to setting up business relationship with you and hope to provide you with the best service and solution. Let us make a better world for our industry!



## Contact us

Tel: +86-755-8981 8866 Fax: +86-755-8427 6832

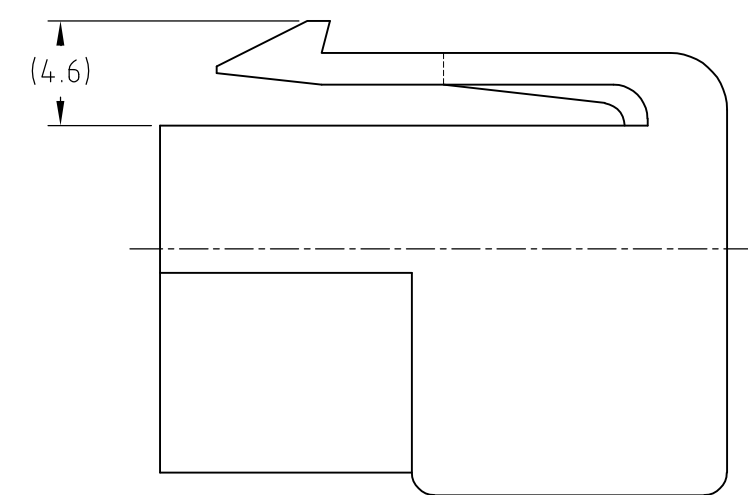
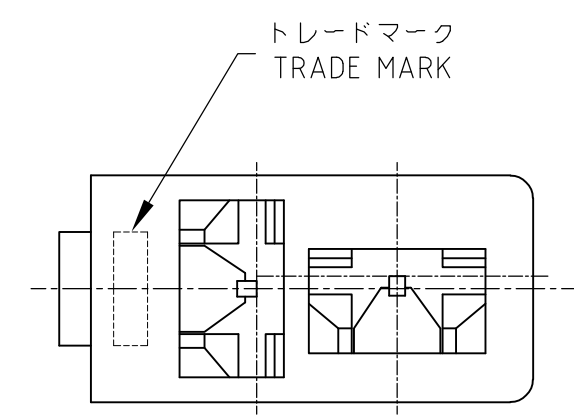
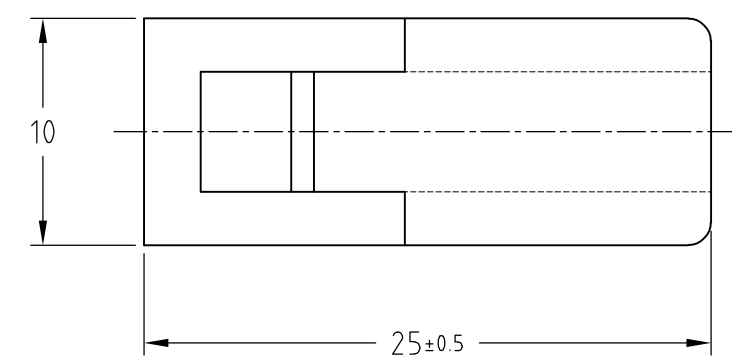
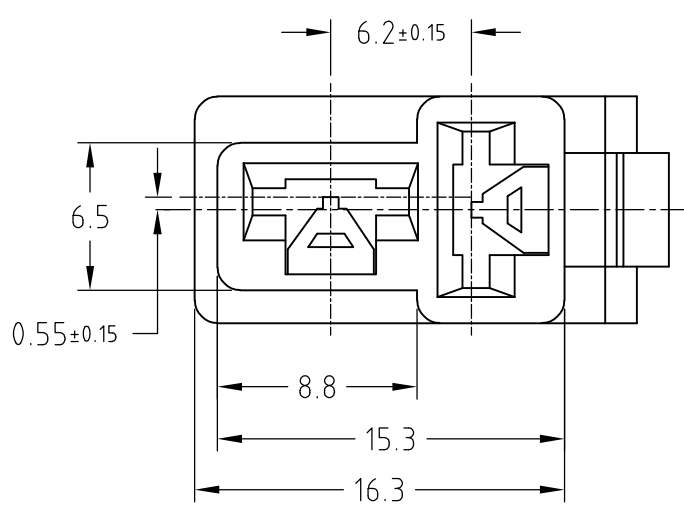
Email & Skype: info@chipsmall.com Web: www.chipsmall.com

Address: A1208, Overseas Decoration Building, #122 Zhenhua RD., Futian, Shenzhen, China



THIS DRAWING IS UNPUBLISHED. RELEASED FOR PUBLICATION  
 © COPYRIGHT - By - ALL RIGHTS RESERVED.


LOC	DIST	REVISIONS 変更					
J	-	P	LTR	DESCRIPTION	DATE	DWN	APVD
			A1	REVISED PER ECO-11-005030	11MAR11	RK	HMR



注記；  
 1.かん合相手ハウジング型番:174197-X  
 2.使用端子型番:170342-X,1376071-X  
 3.製品規格：108-78328

NOTE;  
 1.THE MATING CAP HOUSING P/N;174197-X  
 2.APPLIED CONTACT P/N;170342-X,1376071-X  
 3.PRODUCT SPECIFICATION:108-78328

赤 (RED)	174198-9
だいだい (ORANGE)	174198-8
黄 (YELLOW)	174198-7
灰 (GRAY)	174198-6
青 (BLUE)	174198-5
緑 (GREEN)	174198-4
茶 (BROWN)	174198-3
黒 (BLACK)	174198-2
自然色 (NATURAL)	174198-1
色 (COLOR)	型番 (PART NUMBER)

THIS DRAWING IS A CONTROLLED DOCUMENT.		DWN J.SATO 20NOV2006	 TE Connectivity			
DIMENSIONS: 単位: 耗 mm		CHK N.YAMASAKI 26AUG2005				
TOLERANCES UNLESS OTHERWISE SPECIFIED: 一般公差		APVD N.YAMASAKI 26AUG2005	NAME 名称 250 SERIES HOUSING LANCE CONNECTOR 2POS PLUG HOUSING			
10以下 ± 0.2		PRODUCT SPEC 製品規格	SIZE	CAGE CODE	DRAWING NO 番号	RESTRICTED TO
100以下 ± 0.25		APPLICATION SPEC 取付適用規格	A3	00779	G-174198	-
1000以下 ± 0.3		FINISH 仕上	SCALE 尺度	3:1	SHEET 1 OF 1	REV A1
MATERIAL 材料 66NYLON (UL94V-2)		WEIGHT	CUSTOMER DRAWING			