



Chipsmall Limited consists of a professional team with an average of over 10 year of expertise in the distribution of electronic components. Based in Hongkong, we have already established firm and mutual-benefit business relationships with customers from,Europe,America and south Asia,supplying obsolete and hard-to-find components to meet their specific needs.

With the principle of “Quality Parts,Customers Priority,Honest Operation,and Considerate Service”,our business mainly focus on the distribution of electronic components. Line cards we deal with include Microchip,ALPS,ROHM,Xilinx,Pulse,ON,Everlight and Freescale. Main products comprise IC,Modules,Potentiometer,IC Socket,Relay,Connector.Our parts cover such applications as commercial,industrial, and automotives areas.

We are looking forward to setting up business relationship with you and hope to provide you with the best service and solution. Let us make a better world for our industry!



Contact us

Tel: +86-755-8981 8866 Fax: +86-755-8427 6832

Email & Skype: info@chipsmall.com Web: www.chipsmall.com

Address: A1208, Overseas Decoration Building, #122 Zhenhua RD., Futian, Shenzhen, China



THIS DRAWING IS UNPUBLISHED.

RELEASED FOR PUBLICATION

© COPYRIGHT - By -

ALL RIGHTS RESERVED.

LOC

DIST

REVISIONS

A1

-

P

LTR

DESCRIPTION

DATE

DWN

APVD

A

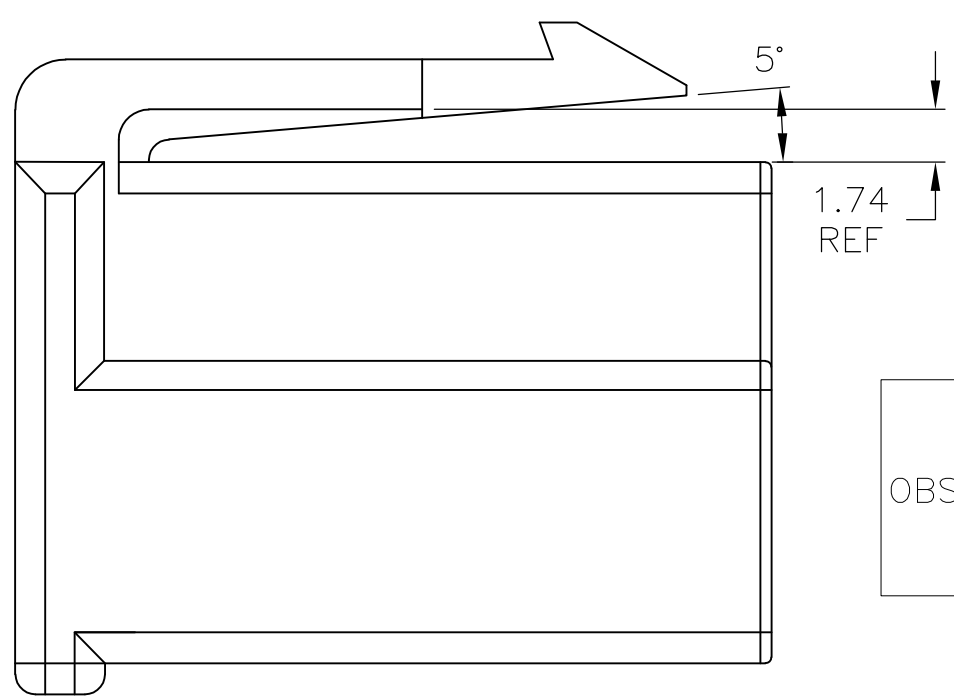
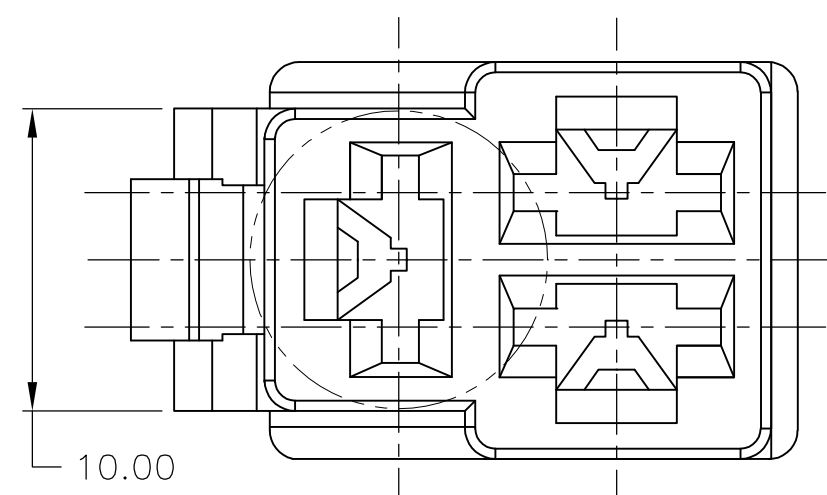
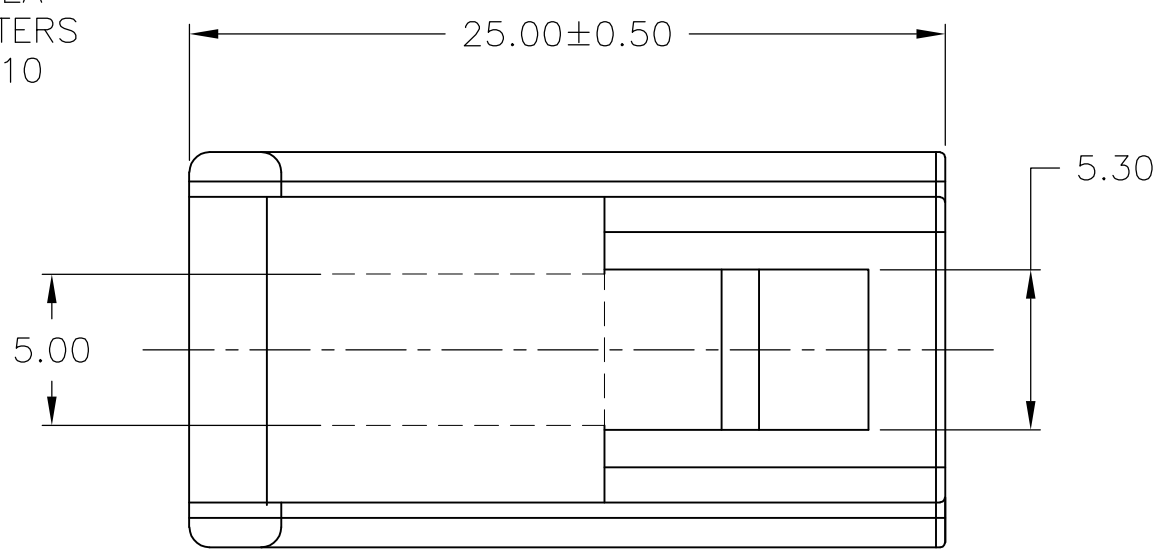
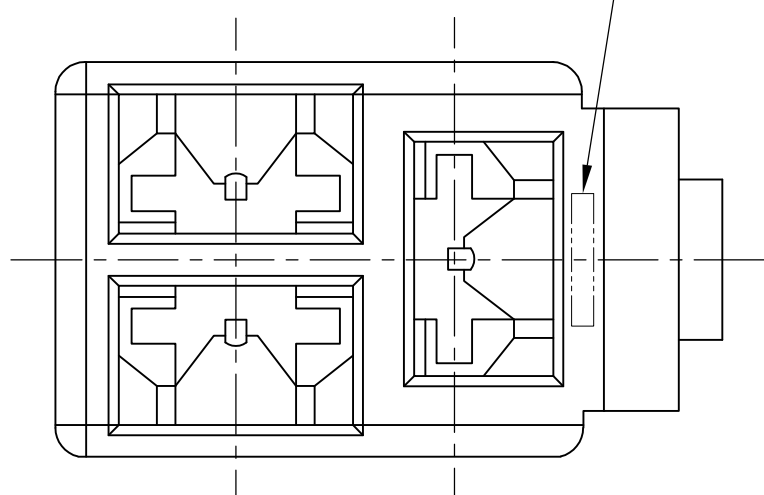
NEW DRAWING

09DEC2014

NK

LP

TRADE MARK IN THIS AREA CHARACTERS 0.02~0.10



OBSOLETE	-250 FASTON 3P PLUG HOUSING	174200-7
	-250 FASTON 3P PLUG HOUSING	174200-5
	-250 FASTON 3P PLUG HOUSING	174200-2
	250 FASTON 3P PLUG HOUSING	174200-1
	DESCRIPTION	PART NUMBER

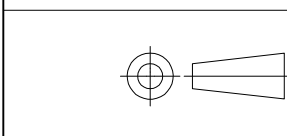
THIS DRAWING IS A CONTROLLED DOCUMENT.

DWN 09DEC2014 NAGALAKSHMI K



DIMENSIONS: mm

TOLERANCES UNLESS OTHERWISE SPECIFIED:



- 0 PLC ± -
- 1 PLC ± -
- 2 PLC ± 0.30
- 3 PLC ± -
- 4 PLC ± -
- ANGLES ± 1°

MATERIAL -

FINISH -

CHK 09DEC2014 PAN, LEI

APVD 09DEC2014 PAN, LEI

PRODUCT SPEC -

APPLICATION SPEC -

WEIGHT -

CUSTOMER DRAWING

NAME

250 FASTON PLUG 3P BLACK

SIZE

CAGE CODE

DRAWING NO

RESTRICTED TO

A3

00779

C-174200

SCALE 4:1

SHEET 1 OF 1

REV A