



Chipsmall Limited consists of a professional team with an average of over 10 year of expertise in the distribution of electronic components. Based in Hongkong, we have already established firm and mutual-benefit business relationships with customers from,Europe,America and south Asia,supplying obsolete and hard-to-find components to meet their specific needs.

With the principle of “Quality Parts,Customers Priority,Honest Operation,and Considerate Service”,our business mainly focus on the distribution of electronic components. Line cards we deal with include Microchip,ALPS,ROHM,Xilinx,Pulse,ON,Everlight and Freescale. Main products comprise IC,Modules,Potentiometer,IC Socket,Relay,Connector.Our parts cover such applications as commercial,industrial, and automotives areas.

We are looking forward to setting up business relationship with you and hope to provide you with the best service and solution. Let us make a better world for our industry!



Contact us

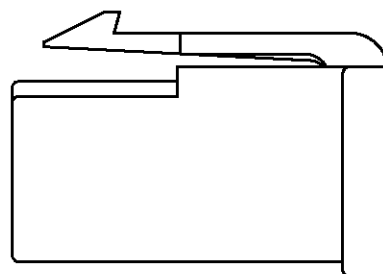
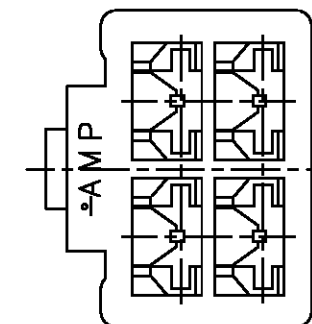
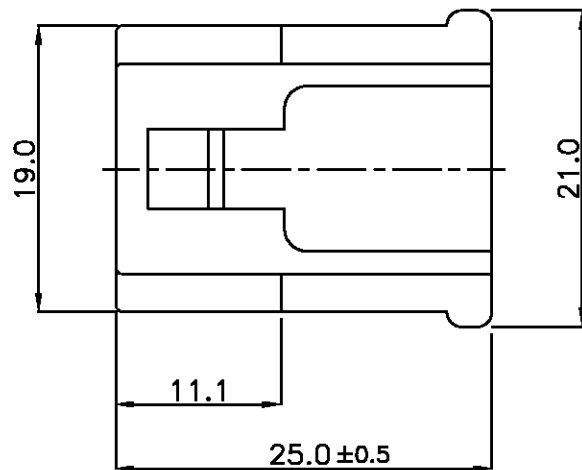
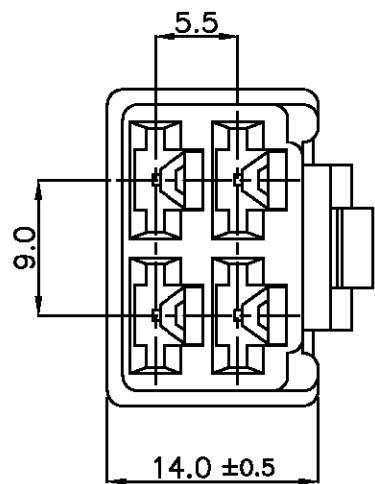
Tel: +86-755-8981 8866 Fax: +86-755-8427 6832

Email & Skype: info@chipsmall.com Web: www.chipsmall.com

Address: A1208, Overseas Decoration Building, #122 Zhenhua RD., Futian, Shenzhen, China



P	LTR	DESCRIPTION	DATE	DWN	APVD
	0	RELEASED			



NOTES:

1. GENERAL TOLERANCES ARE $\pm 0.2, \pm 1^\circ$
2. APPLIED CONTACT P/N: 170384, 170032, 170258

174202-9	RED
174202-8	
174202-7	YELLOW
174202-6	GREY
174202-5	BLUE
174202-4	GREEN
174202-3	
174202-2	BLACK
174202-1	NATURAL
PART NO	COLOR

THIS DRAWING IS A CONTROLLED DOCUMENT FOR AMP INCORPORATED. IT IS SUBJECT TO CHANGE AND THE CONTROLLING ENGINEERING ORGANIZATION SHOULD BE CONTACTED FOR THE LATEST REVISION.		DWN	AMP AMP KOREA. kyungsan, korea		
DIMENSIONS: MM		CHK			
TOLERANCES UNLESS OTHERWISE SPECIFIED: SEE NOTE		APVD	NAME 250 4P PLUG HSG		
3rd ANGLE PROJECTION		PRODUCT SPEC	DRAWING NO		
MATERIAL: PA66		APPLICATION SPEC: 114-5052	SIZE: A3	CAGE CODE: 00779	DRAWING NO: 174202
FINISH		WEIGHT	SCALE: 2/1 SHEET 1 OF 1 REV 0		