



Chipsmall Limited consists of a professional team with an average of over 10 year of expertise in the distribution of electronic components. Based in Hongkong, we have already established firm and mutual-benefit business relationships with customers from,Europe,America and south Asia,supplying obsolete and hard-to-find components to meet their specific needs.

With the principle of "Quality Parts,Customers Priority,Honest Operation,and Considerate Service",our business mainly focus on the distribution of electronic components. Line cards we deal with include Microchip,ALPS,ROHM,Xilinx,Pulse,ON,Everlight and Freescale. Main products comprise IC,Modules,Potentiometer,IC Socket,Relay,Connector.Our parts cover such applications as commercial,industrial, and automotives areas.

We are looking forward to setting up business relationship with you and hope to provide you with the best service and solution. Let us make a better world for our industry!



Contact us

Tel: +86-755-8981 8866 Fax: +86-755-8427 6832

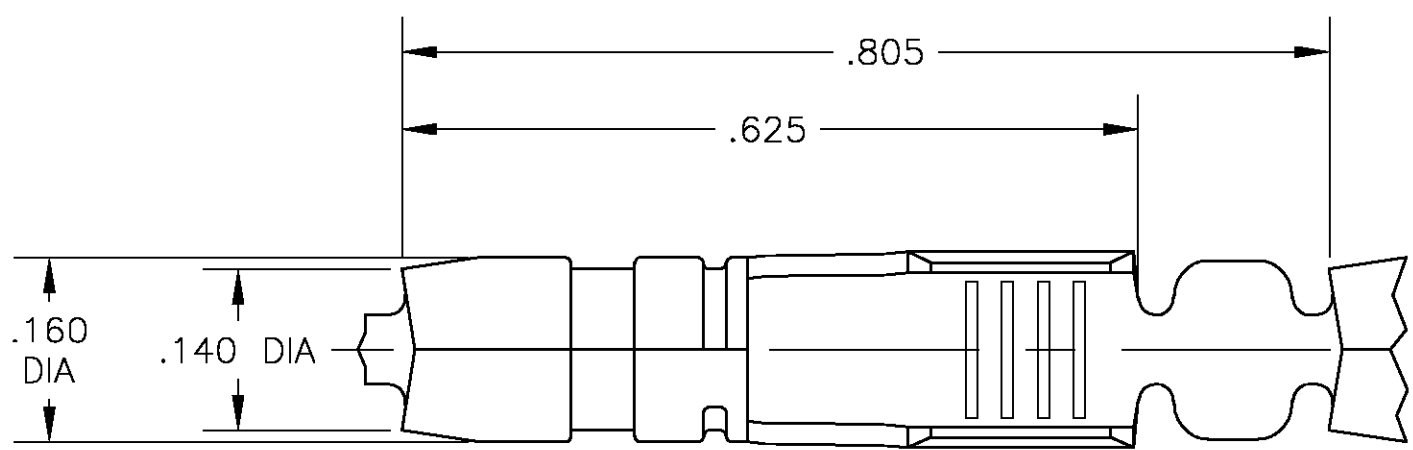
Email & Skype: info@chipsmall.com Web: www.chipsmall.com

Address: A1208, Overseas Decoration Building, #122 Zhenhua RD., Futian, Shenzhen, China

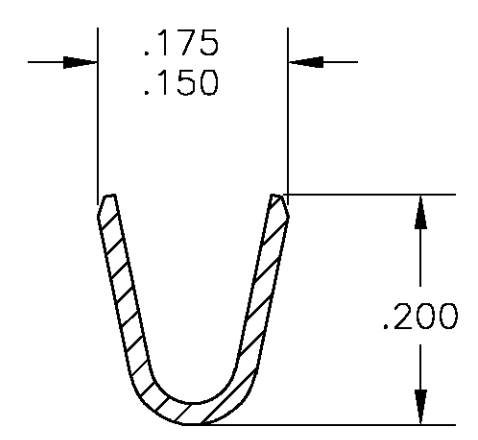
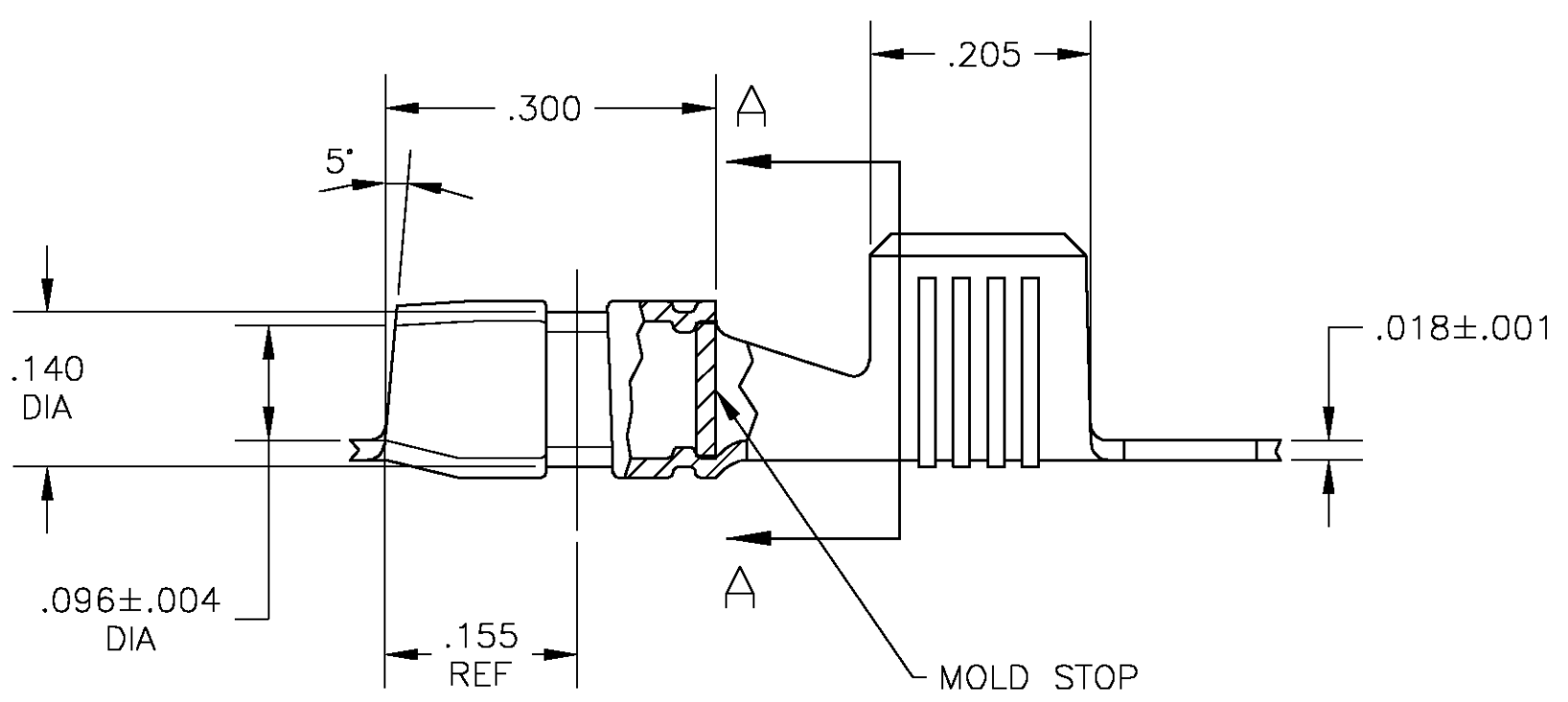


THIS DRAWING IS UNPUBLISHED. RELEASED FOR PUBLICATION
 © COPYRIGHT BY TYCO ELECTRONICS CORPORATION. ALL RIGHTS RESERVED.

LOC	DIST	REVISIONS			
P	LTR	DESCRIPTION	DATE	DWN	APVD
AF	50	C	REL PER 0G3A-0098-05	09MAR05	JR DD



- 1 CONTINUOUS STRIP ON REELS
- 2 WIRE SIZE IS #10-#14 (9600 CMA MAX)
OR TWO #14'S
- △ .000130 MAX PRE-TIN



1742039-1
PART NO

THIS DRAWING IS A CONTROLLED DOCUMENT.		DWN JR RUTH 19DEC2003	Tyco Electronics Corporation Harrisburg, Pa 17105-3608		
DIMENSIONS: INCHES		CHK D DECKER 19DEC03			
		APVD D DECKER 19DEC03	NAME SHUR PLUG, .156 DIA		
TOLERANCES UNLESS OTHERWISE SPECIFIED:		PRODUCT SPEC	SIZE A3		
0 PLC ± -		APPLICATION SPEC	CAGE CODE 00779	DRAWING NO C-1742039	RESTRICTED TO
1 PLC ± -		WEIGHT	SCALE 1:1		
2 PLC ± -		FINISH △ 3	SHEET 1 OF 1		
3 PLC ± .010			REV C		
4 PLC ± -		CUSTOMER DRAWING			
ANGLES ± 1'		SCALE 1:1 SHEET 1 OF 1 REV C			
MATERIAL 081 BRASS					