



Chipsmall Limited consists of a professional team with an average of over 10 year of expertise in the distribution of electronic components. Based in Hongkong, we have already established firm and mutual-benefit business relationships with customers from,Europe,America and south Asia,supplying obsolete and hard-to-find components to meet their specific needs.

With the principle of “Quality Parts,Customers Priority,Honest Operation,and Considerate Service”,our business mainly focus on the distribution of electronic components. Line cards we deal with include Microchip,ALPS,ROHM,Xilinx,Pulse,ON,Everlight and Freescale. Main products comprise IC,Modules,Potentiometer,IC Socket,Relay,Connector.Our parts cover such applications as commercial,industrial, and automotives areas.

We are looking forward to setting up business relationship with you and hope to provide you with the best service and solution. Let us make a better world for our industry!



Contact us

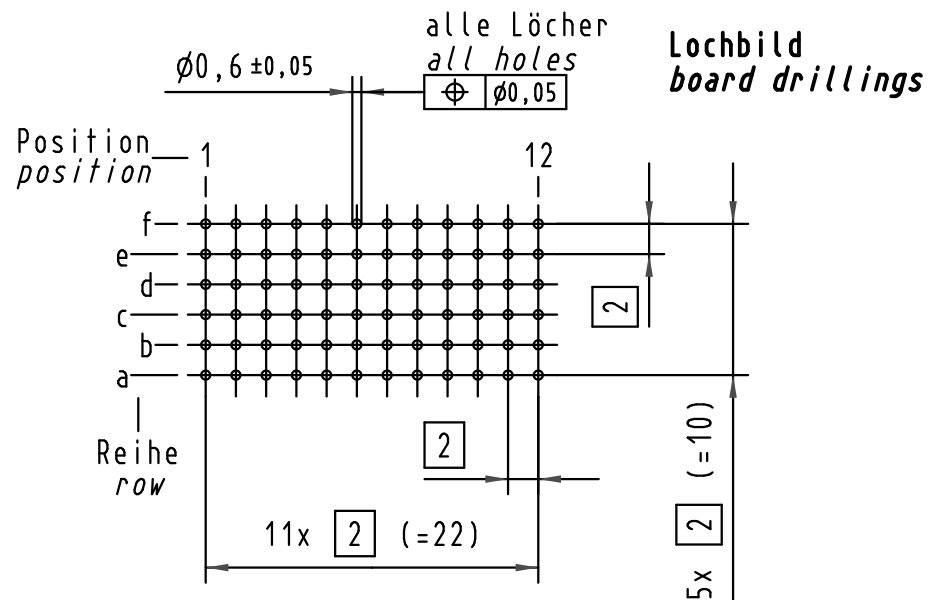
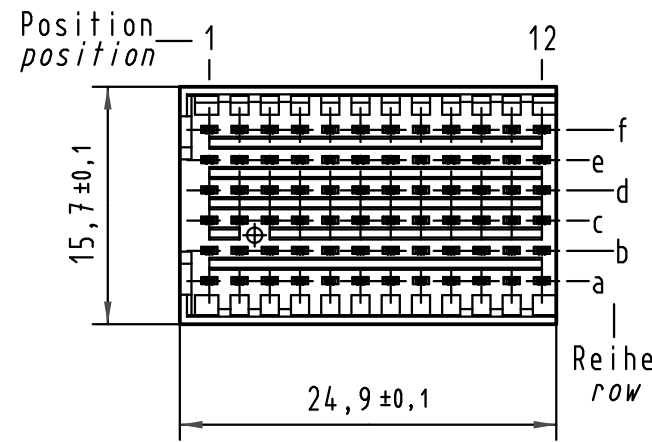
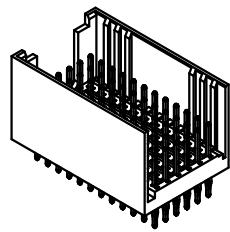
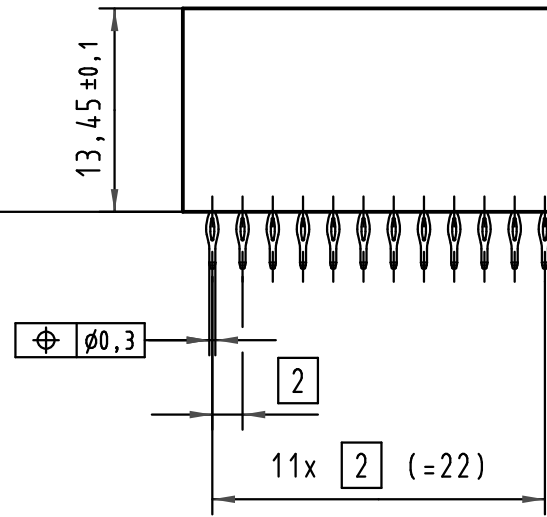
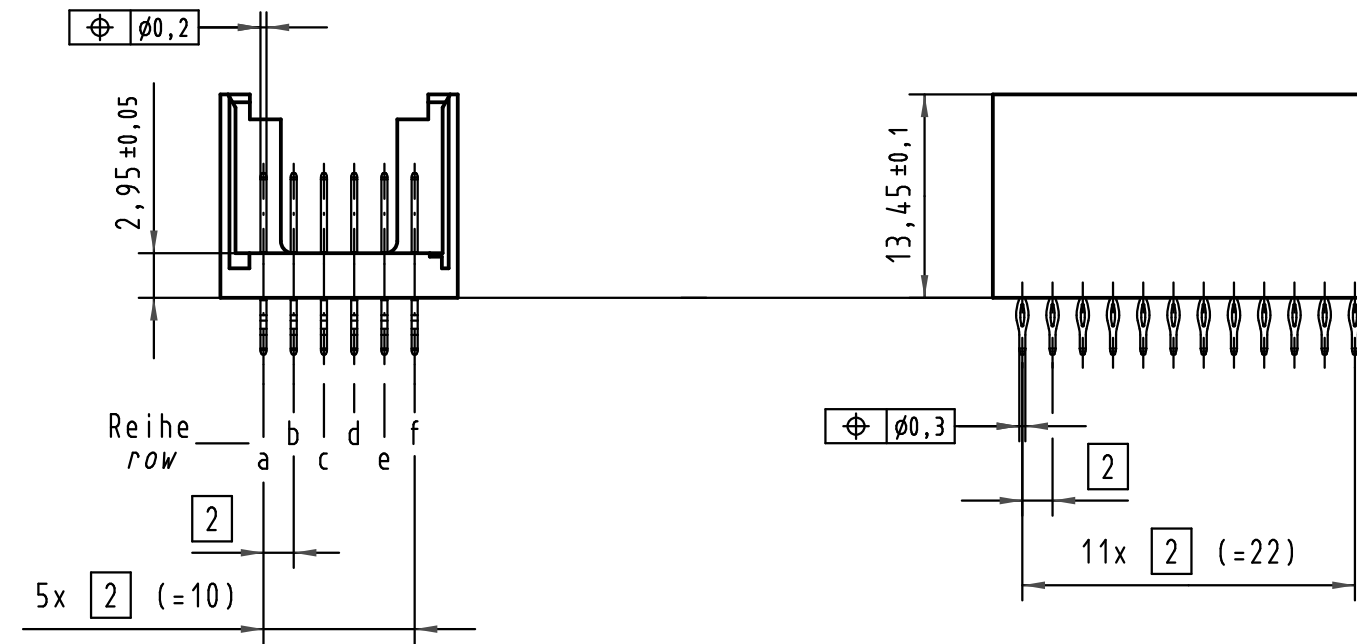
Tel: +86-755-8981 8866 Fax: +86-755-8427 6832

Email & Skype: info@chipsmall.com Web: www.chipsmall.com

Address: A1208, Overseas Decoration Building, #122 Zhenhua RD., Futian, Shenzhen, China



Alle Rechte vorbehalten/ All rights reserved



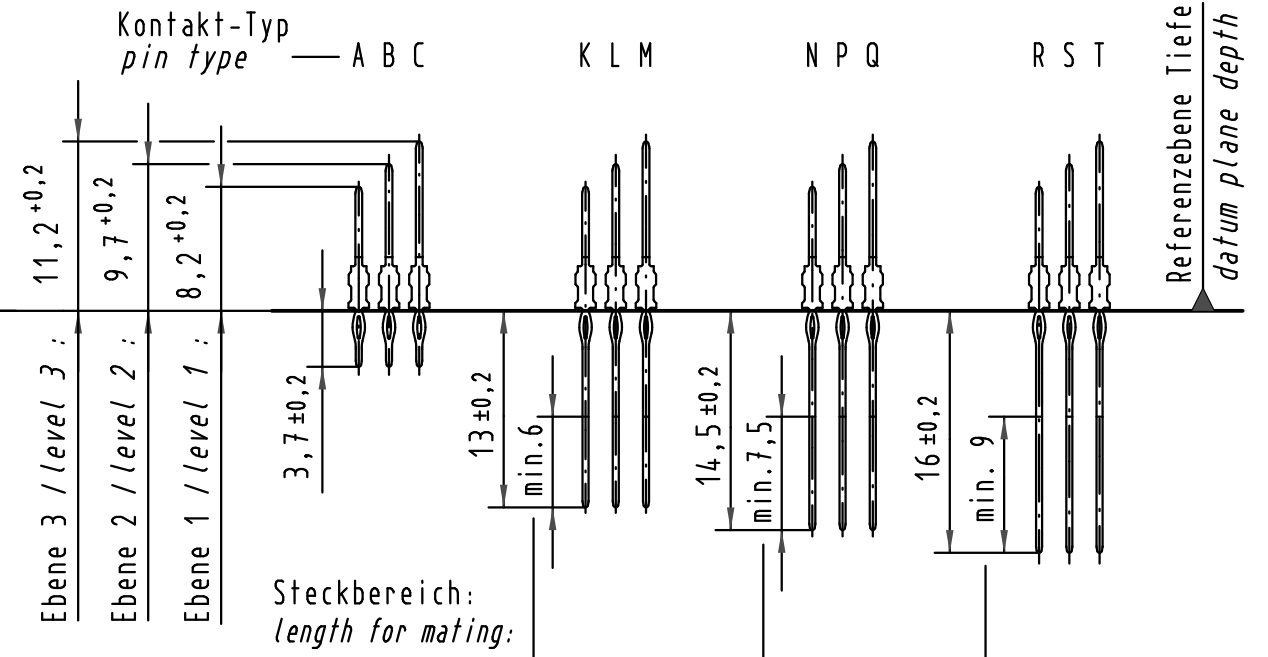
alle Löcher
all holes
Ø 0,05

**Lochbild
board drillings**

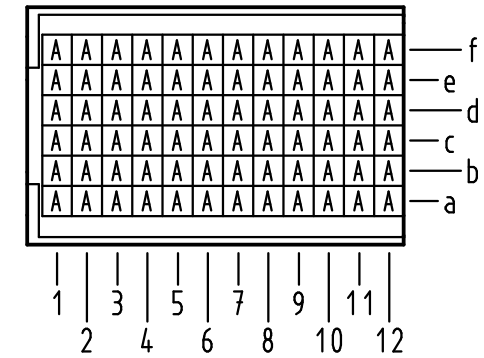
Bohrlochdurchmesser: $\phi 0,7 \pm 0,02$
 Lochdurchmesser (mit Oberfläche): $\phi 0,6 \pm 0,05$
 drill hole dia.: $\phi 0,7 \pm 0,02$
 finished hole dia. (after plating): $\phi 0,6 \pm 0,05$

**Kontakt-Maße
contact dimensions**

(Längen der Steck- und Anschlußseite gelten für eingepreßte Steckverbinder)
 (mating and termination length of contacts apply to pressed in connectors)



**Kontaktbelegung
contact loading**



| | | |
|-------------------------|---|--|
| 17 42 072 4203 | - | min. 0,127µm Au over min. 0,635µm (25µin) PdNi over min. 1,27µm (50µin) Ni |
| 17 42 072 2203 | 2 | Au flash over PdNi over Ni |
| 17 42 072 1203 | 1 | Au flash over PdNi over Ni |
| Bestell-Nr. part-no. | Anforderungsstufe nach IEC performance level acc. to IEC | Kontaktoberfläche contact plating |

| | | | | | |
|---|----------|-------------------|-----------------------------------|--|---|
| All Dimensions in mm Original Size DIN A 3 | | Techn. Character. | | Nicht tolerierte Maße/Free size tolerances | |
| | | Dat. | Name | Maßstab/Scale 2:1 | har-bus HM Messerleiste mit Endwand 6-reihig, 72 pol., Anschlußlänge 3,7 mm har-bus HM male connector with endwall 6-row, 72 pol., termination length 3,7 mm |
| | | Detail. | 23.03.04 Buß. | | |
| | | Insp. | 23.03.04 Ko | | |
| | | Stand. | | | |
| 34337 | 10.05.07 | Hage. | HARTING Electronics GmbH & Co. KG | | TB 17 42 072 x203 |
| 31807 | | | D-32339 ESPELKAMP | | |
| Mod. | Dat. | Name | | | Blatt/page |
| | | | Sub. | | |