



Chipsmall Limited consists of a professional team with an average of over 10 year of expertise in the distribution of electronic components. Based in Hongkong, we have already established firm and mutual-benefit business relationships with customers from,Europe,America and south Asia,supplying obsolete and hard-to-find components to meet their specific needs.

With the principle of “Quality Parts,Customers Priority,Honest Operation,and Considerate Service”,our business mainly focus on the distribution of electronic components. Line cards we deal with include Microchip,ALPS,ROHM,Xilinx,Pulse,ON,Everlight and Freescale. Main products comprise IC,Modules,Potentiometer,IC Socket,Relay,Connector.Our parts cover such applications as commercial,industrial, and automotives areas.

We are looking forward to setting up business relationship with you and hope to provide you with the best service and solution. Let us make a better world for our industry!



Contact us

Tel: +86-755-8981 8866 Fax: +86-755-8427 6832

Email & Skype: info@chipsmall.com Web: www.chipsmall.com

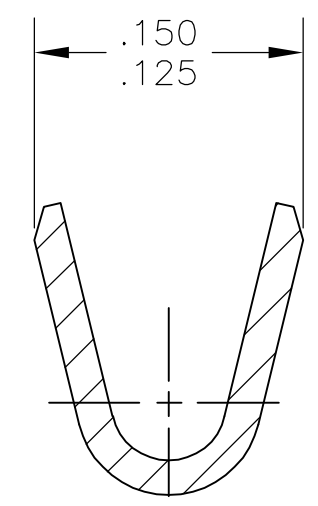
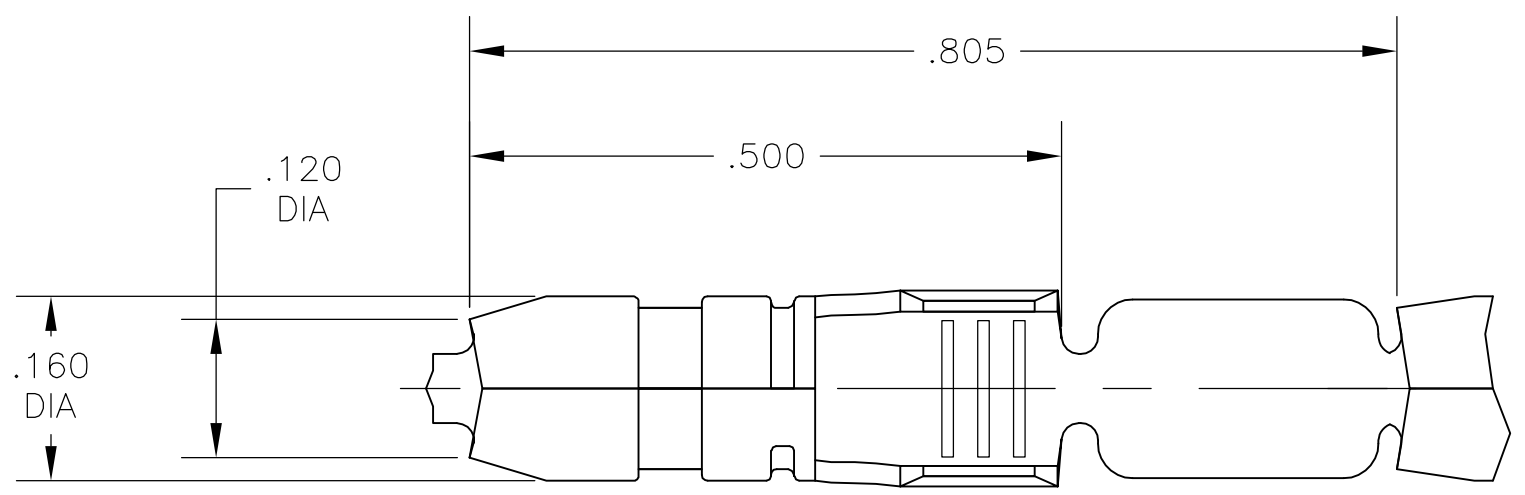
Address: A1208, Overseas Decoration Building, #122 Zhenhua RD., Futian, Shenzhen, China



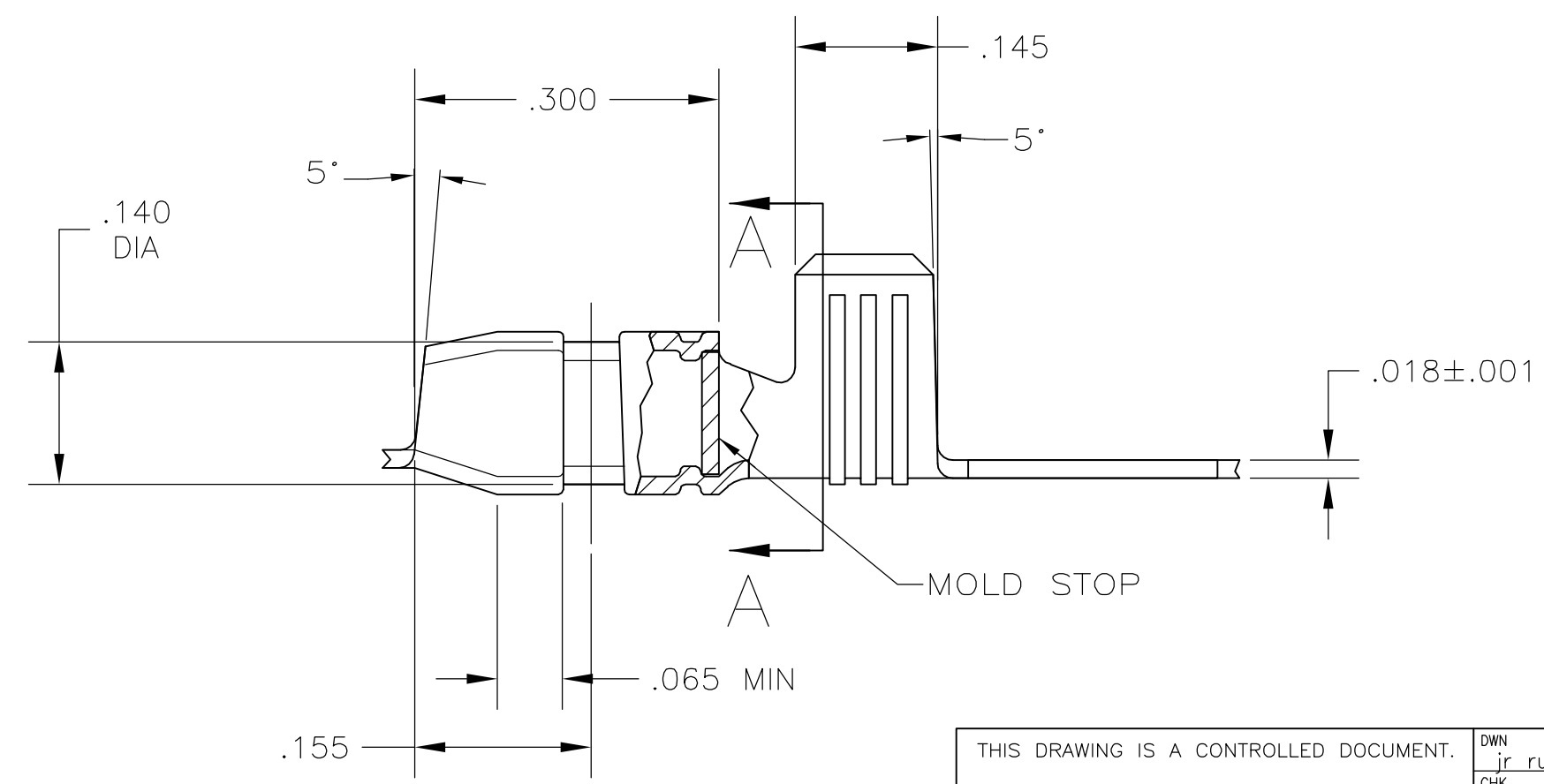
THIS DRAWING IS UNPUBLISHED. RELEASED FOR PUBLICATION
 © COPYRIGHT BY TYCO ELECTRONICS CORPORATION. ALL RIGHTS RESERVED.

LOC	DIST	REVISIONS			
P	LTR	DESCRIPTION	DATE	DWN	APVD
AF	50	C	REVISED PER 0G3A-0709-04	29SEP04	MF DD

- 1 CONTINUOUS STRIP ON REEL.
- 2 WIRE SIZE #18-#14 AWG



SECTION A-A
SCALE 10:1



1742083-1
PART NO.

THIS DRAWING IS A CONTROLLED DOCUMENT.		DWN	jr_ruth	12MAR04	tyco Electronics		Tyco Electronics Corporation	
DIMENSIONS: INCHES		CHK	D DECKER	12MAR04			Harrisburg, Pa 17105-3608	
TOLERANCES UNLESS OTHERWISE SPECIFIED:		APVD	D DECKER	12MAR04	NAME		SHUR PLUG, .156 DIA	
0 PLC ± -		PRODUCT SPEC		-		-		
1 PLC ± -		APPLICATION SPEC		-		-		
2 PLC ± .010		SIZE	A3	CAGE CODE	00779	DRAWING NO	C-1742083	RESTRICTED TO
3 PLC ± -		WEIGHT		-		-		-
4 PLC ± -		CUSTOMER DRAWING		SCALE	6:1	SHEET	1 OF 1	REV
ANGLES ± -		MATERIAL		081 BRASS		FINISH		C
.000130 MIN TIN		MOLD STOP		-		-		-