



Chipsmall Limited consists of a professional team with an average of over 10 year of expertise in the distribution of electronic components. Based in Hongkong, we have already established firm and mutual-benefit business relationships with customers from,Europe,America and south Asia,supplying obsolete and hard-to-find components to meet their specific needs.

With the principle of “Quality Parts,Customers Priority,Honest Operation,and Considerate Service”,our business mainly focus on the distribution of electronic components. Line cards we deal with include Microchip,ALPS,ROHM,Xilinx,Pulse,ON,Everlight and Freescale. Main products comprise IC,Modules,Potentiometer,IC Socket,Relay,Connector.Our parts cover such applications as commercial,industrial, and automotives areas.

We are looking forward to setting up business relationship with you and hope to provide you with the best service and solution. Let us make a better world for our industry!



## Contact us

Tel: +86-755-8981 8866 Fax: +86-755-8427 6832

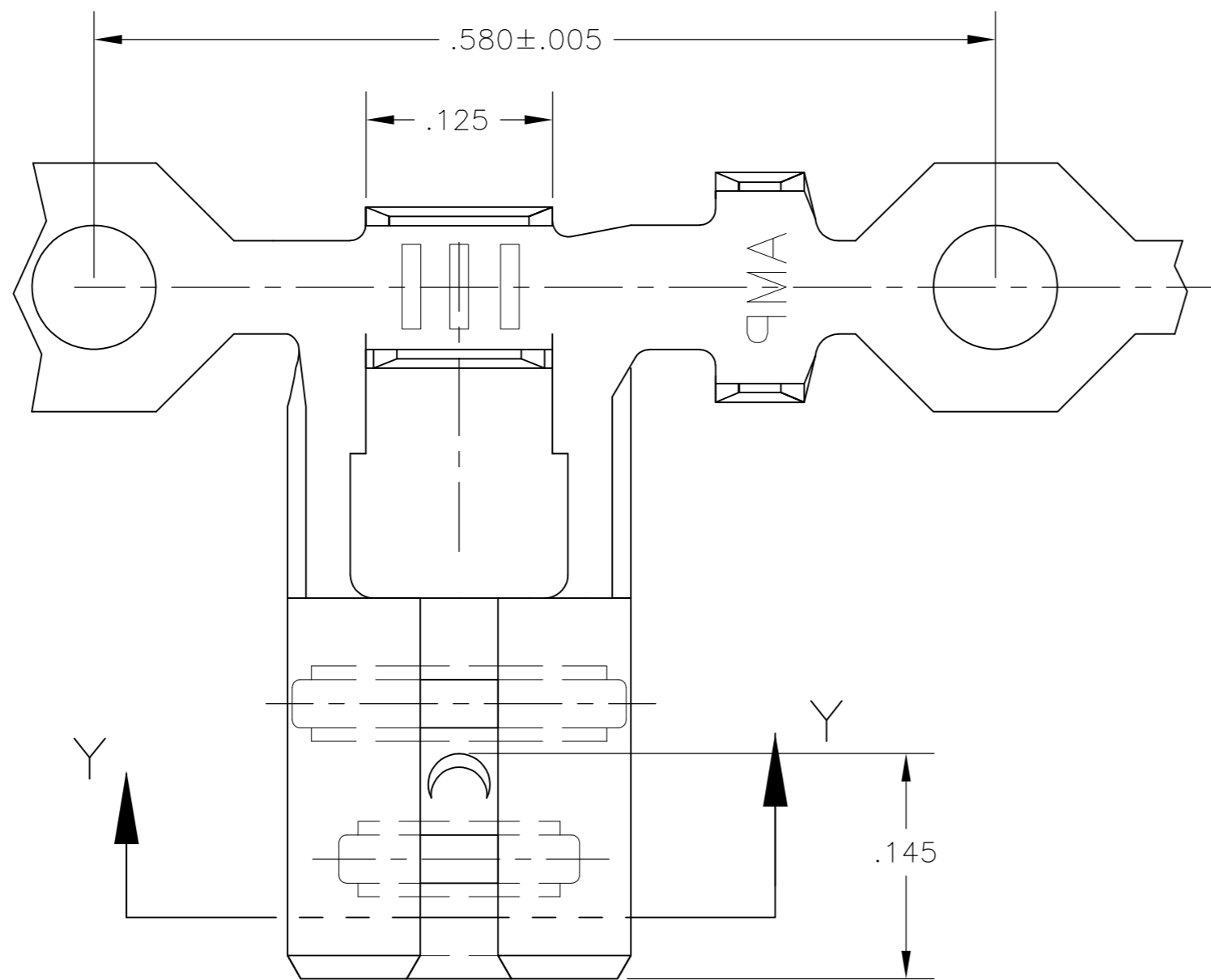
Email & Skype: info@chipsmall.com Web: www.chipsmall.com

Address: A1208, Overseas Decoration Building, #122 Zhenhua RD., Futian, Shenzhen, China

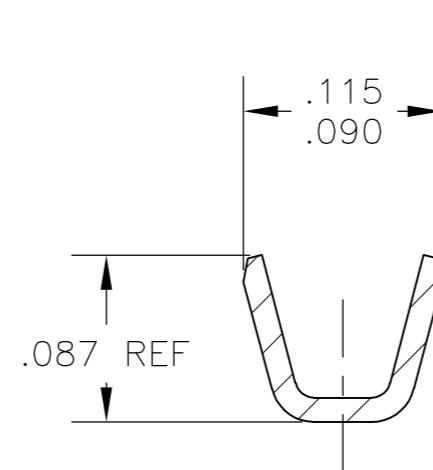


THIS DRAWING IS UNPUBLISHED. RELEASED FOR PUBLICATION  
 © COPYRIGHT - By - ALL RIGHTS RESERVED.

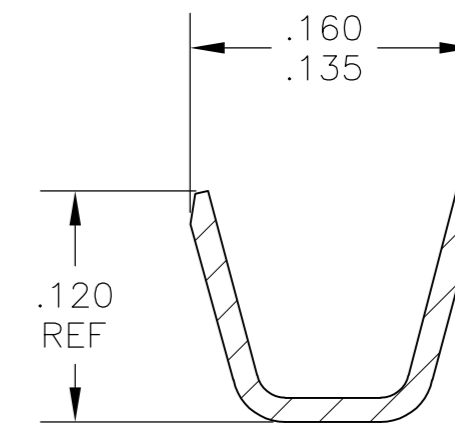
LOC	DIST	REVISIONS			
P	LTR	DESCRIPTION	DATE	DWN	APVD
AF	14				
		D	REVISED PER ECR-12-013518	26NOV2012	KH PD



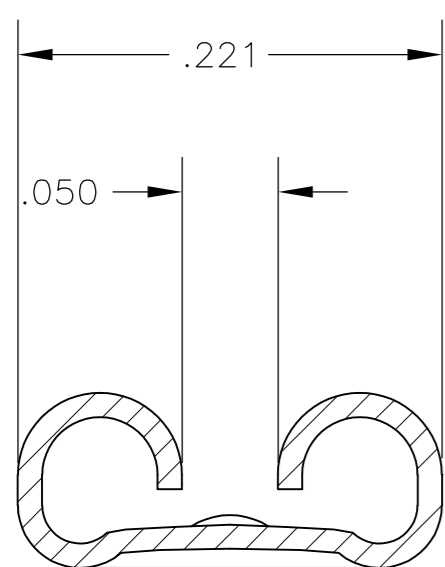
- 1 CONTINUOUS STRIP ON REELS
- 2 WIRE SIZE IS 22-18 AWG
- 3 INSULATION RANGE IS .060-.110 DIA.
- 4 MATING TAB THK IS .032±.001



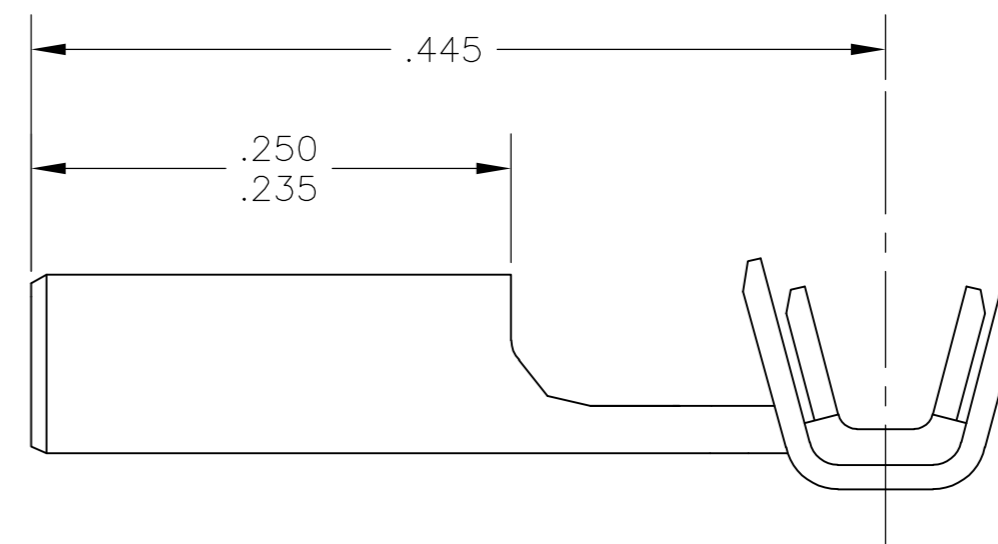
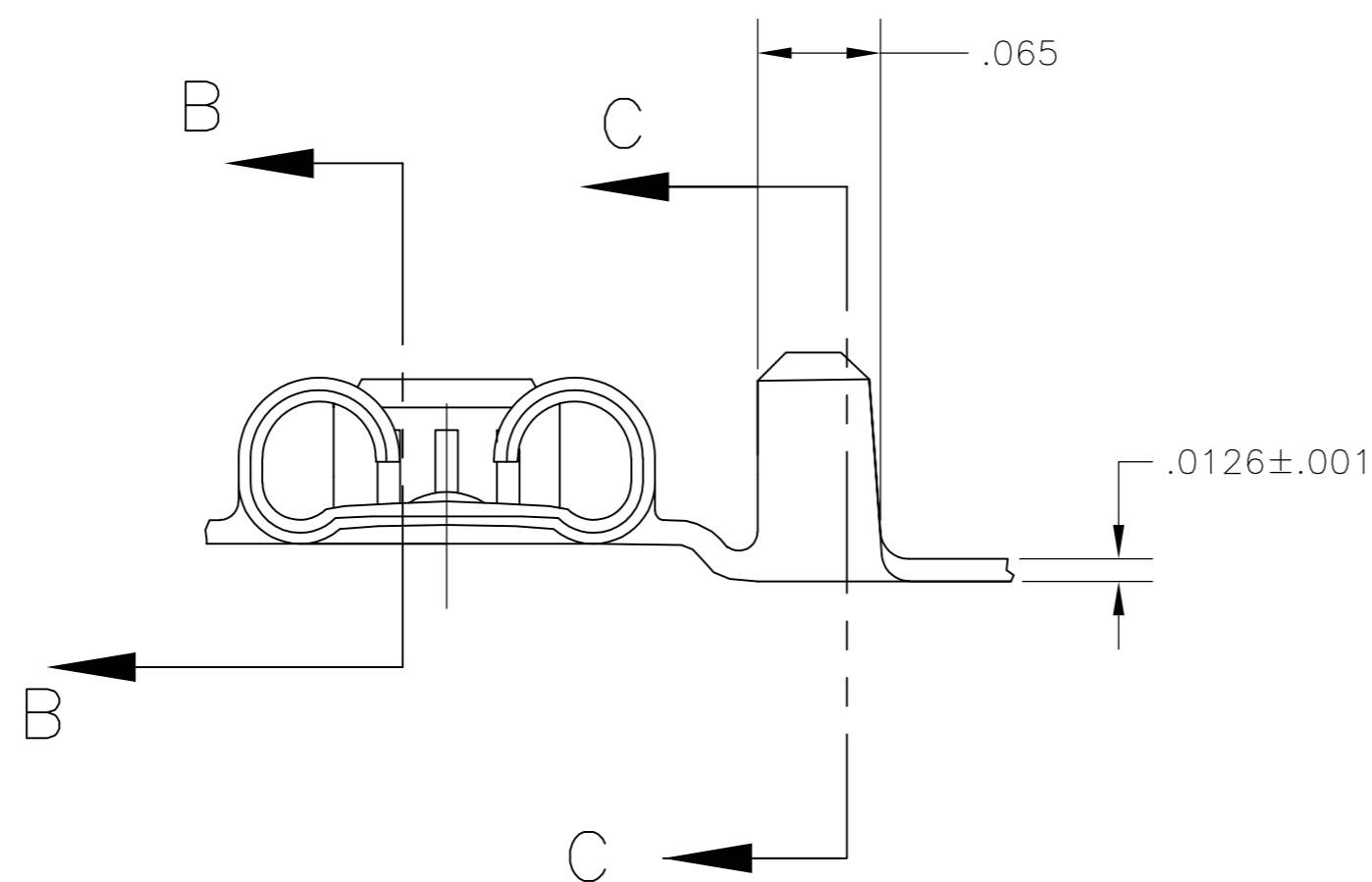
SECTION B-B



SECTION C-C



SECTION Y-Y



TIN	1742087-2
PLAIN	1742087-1
FINISH	PART NO

THIS DRAWING IS A CONTROLLED DOCUMENT.		DWN	JR RUTH	04mar04	 TE Connectivity
DIMENSIONS: INCHES		CHK	P DESANTIS	04MAR04	
TOLERANCES UNLESS OTHERWISE SPECIFIED:		APVD	P DESANTIS	04MAR04	
0 PLC ± - 1 PLC ± - 2 PLC ± - 3 PLC ± .010 4 PLC ± - ANGLES ± 2°		PRODUCT SPEC	NAME		
MATERIAL: BRASS		FINISH	SEE TABLE		APPLICATION SPEC WEIGHT SCALE: 10:1
		SIZE: A2		CAGE CODE: 00779	DRAWING NO: 1742087
		CUSTOMER DRAWING		SHEET: 1 of 1	REV: D