



Chipsmall Limited consists of a professional team with an average of over 10 year of expertise in the distribution of electronic components. Based in Hongkong, we have already established firm and mutual-benefit business relationships with customers from,Europe,America and south Asia,supplying obsolete and hard-to-find components to meet their specific needs.

With the principle of "Quality Parts,Customers Priority,Honest Operation,and Considerate Service",our business mainly focus on the distribution of electronic components. Line cards we deal with include Microchip,ALPS,ROHM,Xilinx,Pulse,ON,Everlight and Freescale. Main products comprise IC,Modules,Potentiometer,IC Socket,Relay,Connector.Our parts cover such applications as commercial,industrial, and automotives areas.

We are looking forward to setting up business relationship with you and hope to provide you with the best service and solution. Let us make a better world for our industry!



Contact us

Tel: +86-755-8981 8866 Fax: +86-755-8427 6832

Email & Skype: info@chipsmall.com Web: www.chipsmall.com

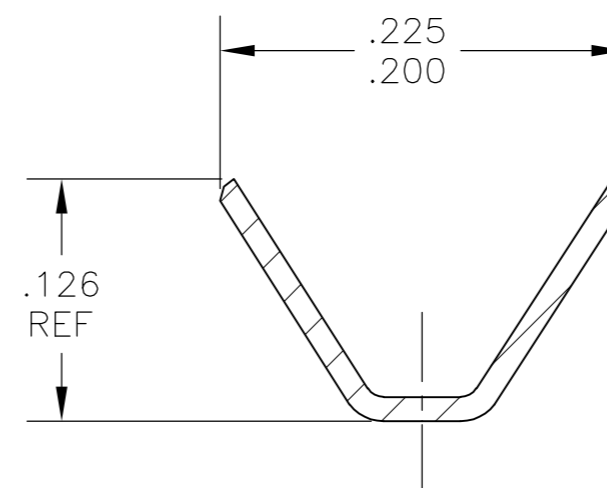
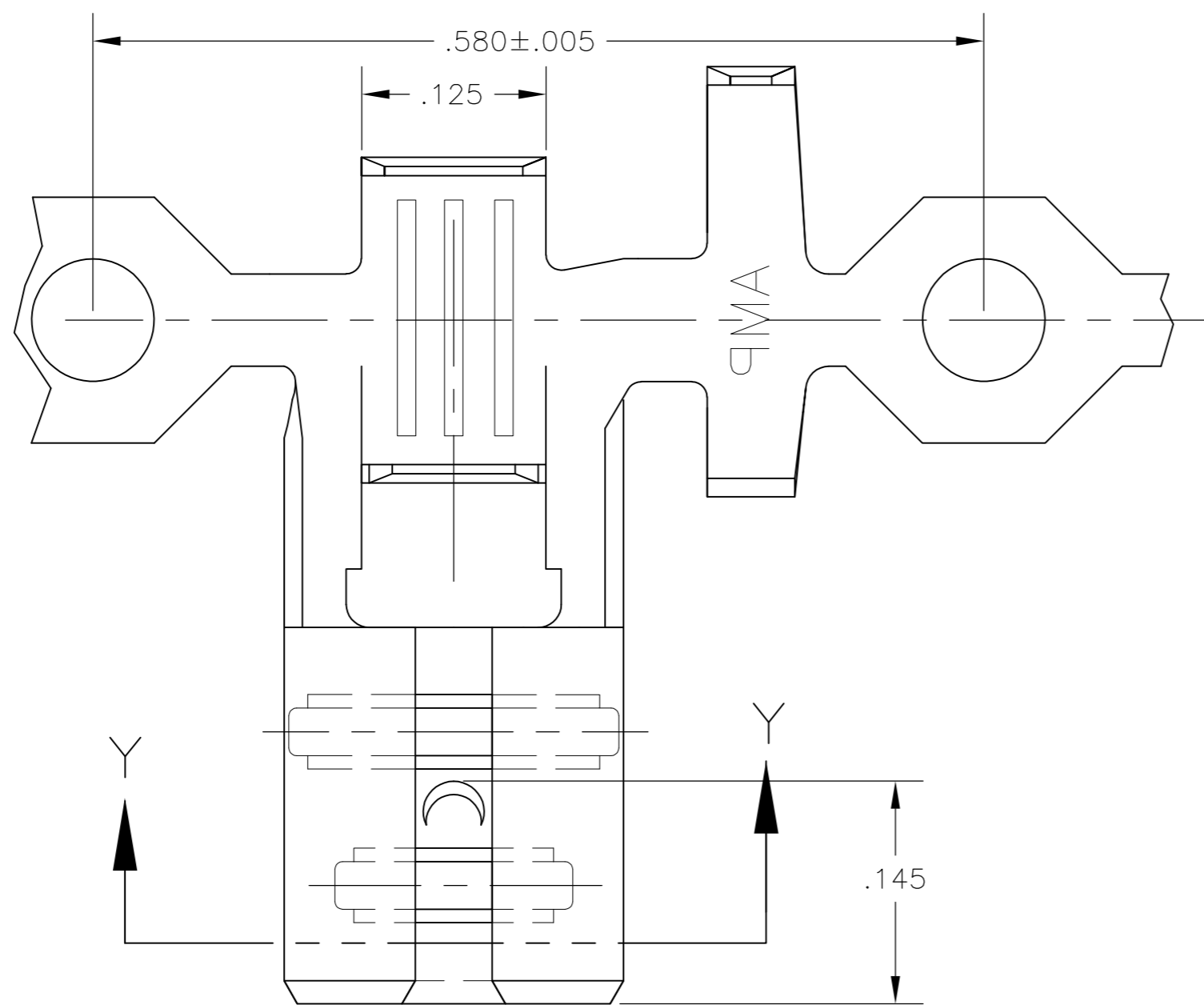
Address: A1208, Overseas Decoration Building, #122 Zhenhua RD., Futian, Shenzhen, China



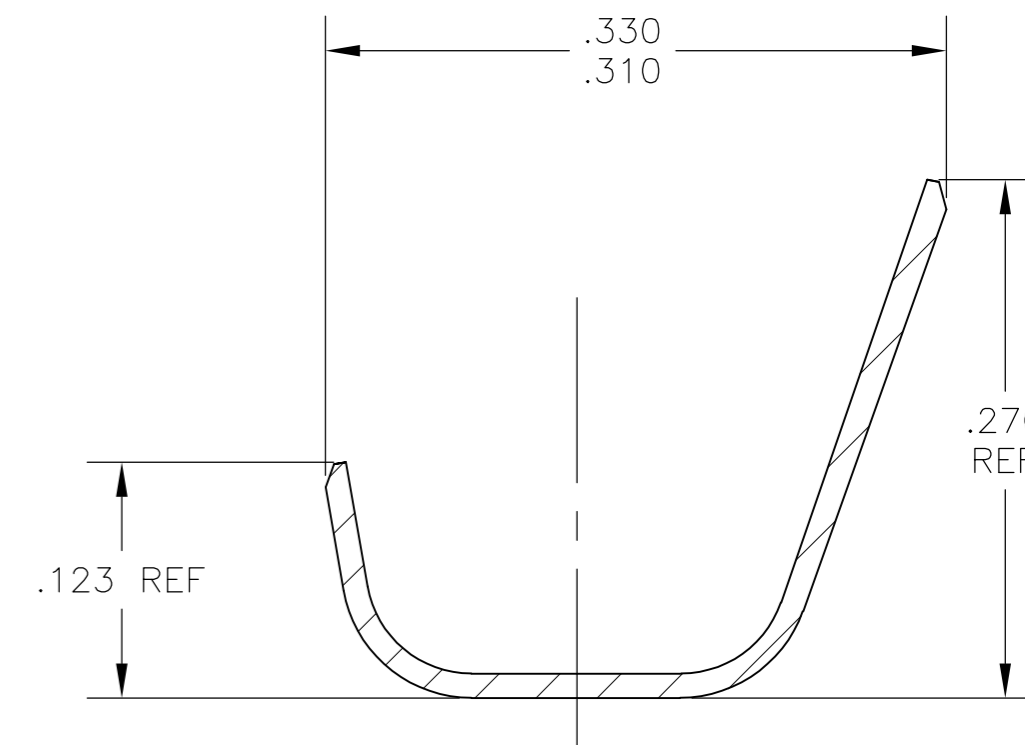
THIS DRAWING IS UNPUBLISHED. RELEASED FOR PUBLICATION
 © COPYRIGHT - By - ALL RIGHTS RESERVED.

REVISIONS					
P	LTR	DESCRIPTION	DATE	DWN	APVD
	H1	REVISED PER ECR-15-016360	10MAR2016	NK	LP

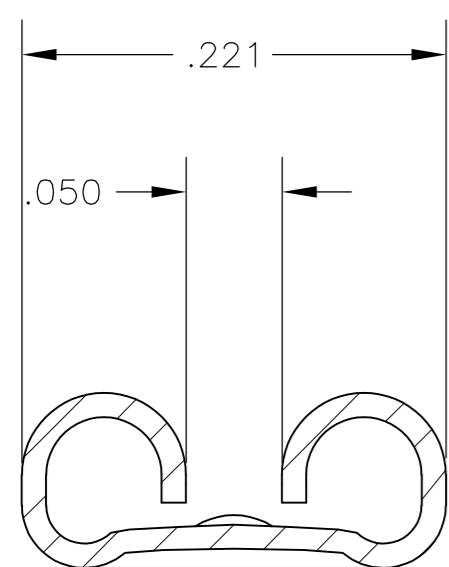
- 1 CONTINUOUS STRIP ON REELS
- 2 WIRE SIZE IS 18-14 OR TWO 18'S AWG
- 3 INSULATION RANGE IS .110-.150 DIA. OR TWO AT .110 MAX DIA.
- 4 MATING TAB THK IS .020±.001



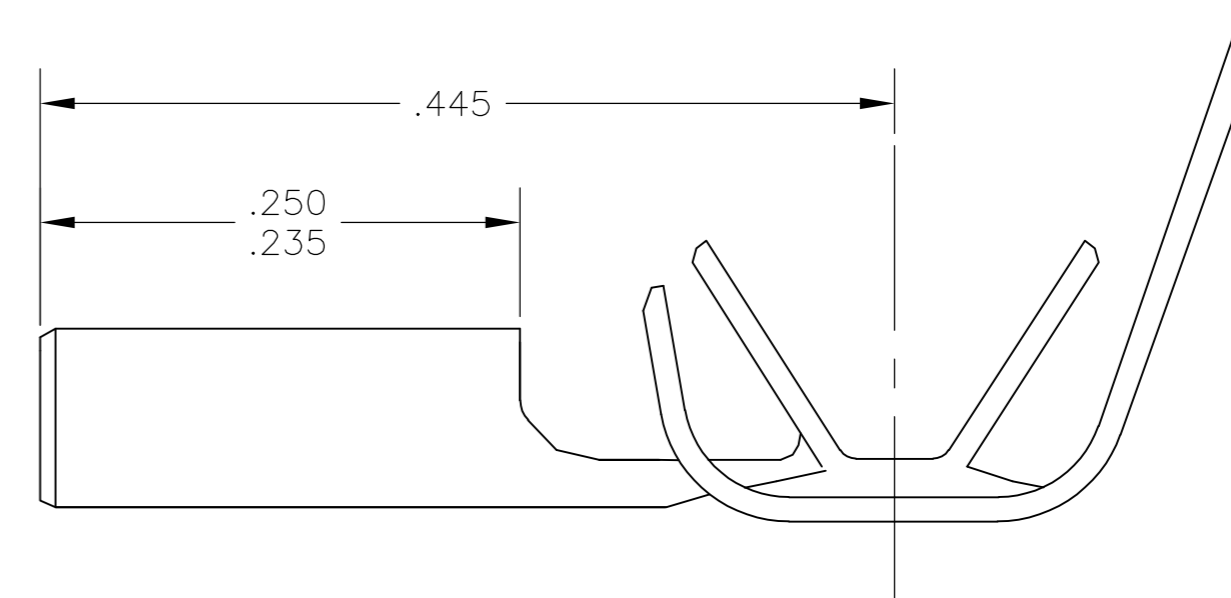
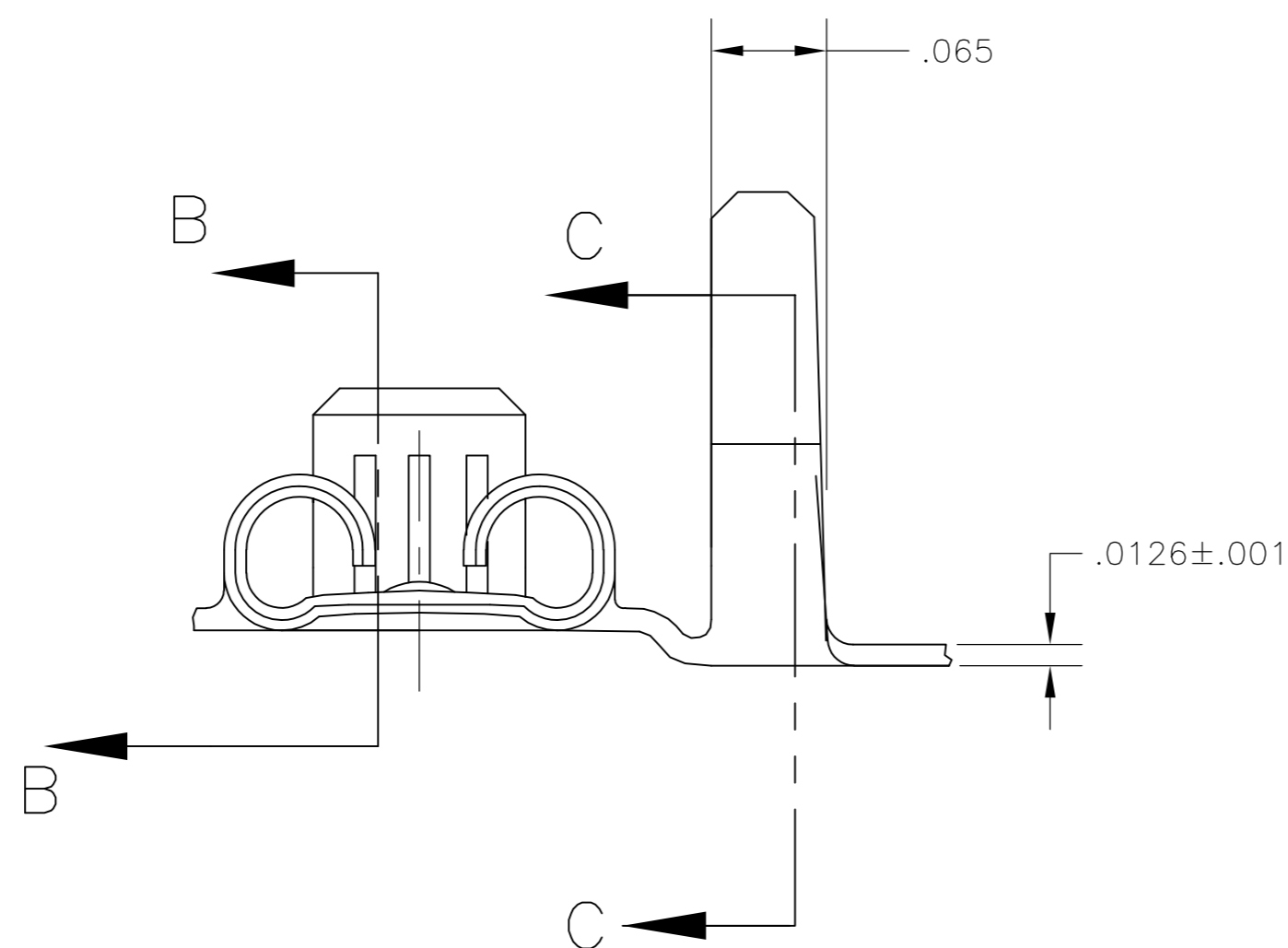
SECTION B-B



SECTION C-C



SECTION Y-Y



	TIN	1742088-2
OBSOLETE	PLAIN	-1742088-1-
	FINISH	PART NO

THIS DRAWING IS A CONTROLLED DOCUMENT.		DWN	JR RUTH	04mar04	 TE Connectivity
DIMENSIONS:		CHK	P DESANTIS	04MAR04	
INCHES		APVD	P DESANTIS	04MAR04	
		PRODUCT SPEC		NAME	
TOLERANCES UNLESS OTHERWISE SPECIFIED:		APPLICATION SPEC		RECEPTACLE, FASTON, FLAG, .187 SERIES	
0 PLC	± -	WEIGHT		SIZE	RESTRICTED TO
1 PLC	± -	MATERIAL		CAGE CODE	
2 PLC	± -	BRASS		DRAWING NO	
3 PLC	± .010	FINISH		SCALE	
4 PLC	± -	CUSTOMER DRAWING		10:1	
ANGLES	± 2°	SCALE		SHEET	
		SCALE		1 of 1	
		REV		H1	