



Chipsmall Limited consists of a professional team with an average of over 10 year of expertise in the distribution of electronic components. Based in Hongkong, we have already established firm and mutual-benefit business relationships with customers from,Europe,America and south Asia,supplying obsolete and hard-to-find components to meet their specific needs.

With the principle of “Quality Parts,Customers Priority,Honest Operation,and Considerate Service”,our business mainly focus on the distribution of electronic components. Line cards we deal with include Microchip,ALPS,ROHM,Xilinx,Pulse,ON,Everlight and Freescale. Main products comprise IC,Modules,Potentiometer,IC Socket,Relay,Connector.Our parts cover such applications as commercial,industrial, and automotives areas.

We are looking forward to setting up business relationship with you and hope to provide you with the best service and solution. Let us make a better world for our industry!



Contact us

Tel: +86-755-8981 8866 Fax: +86-755-8427 6832

Email & Skype: info@chipsmall.com Web: www.chipsmall.com

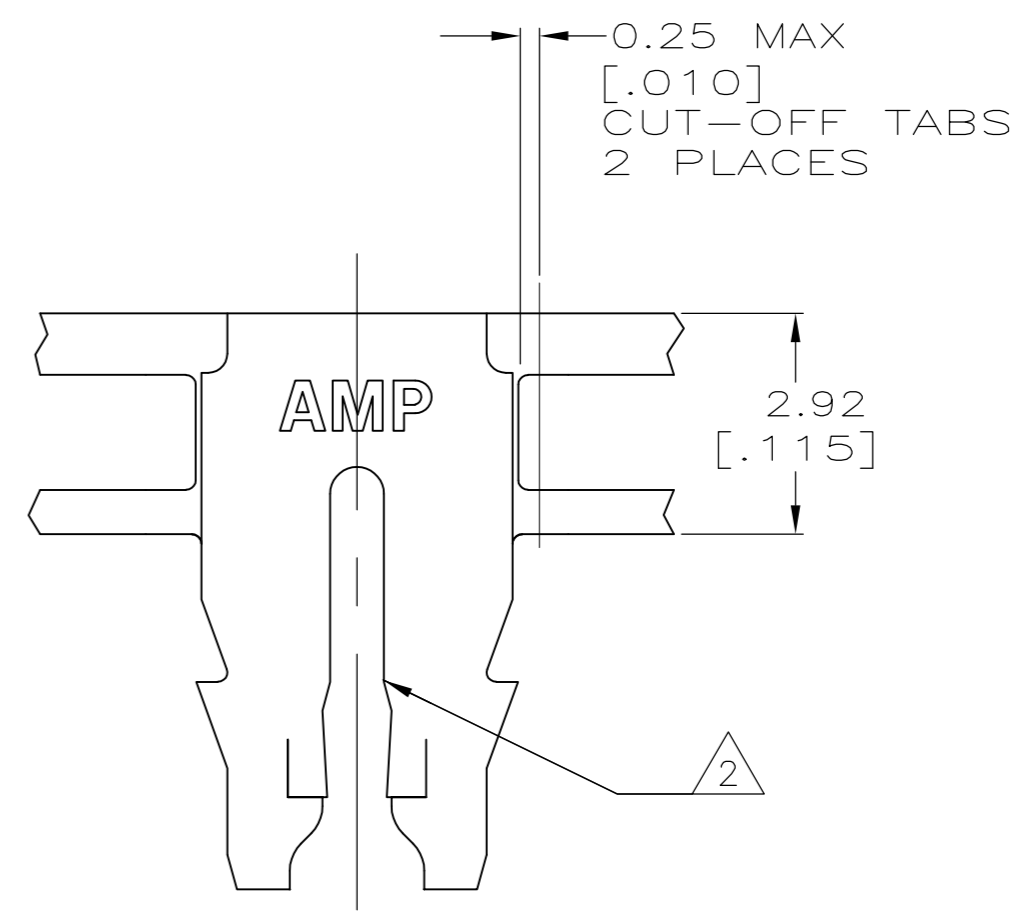
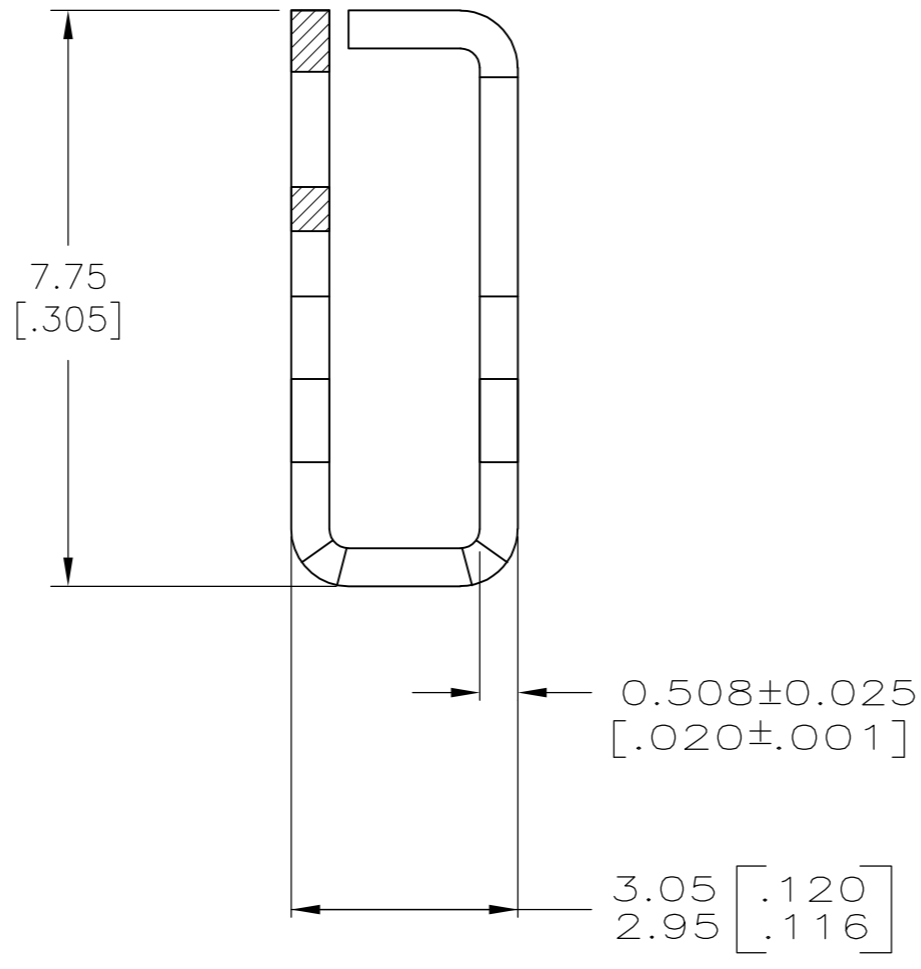
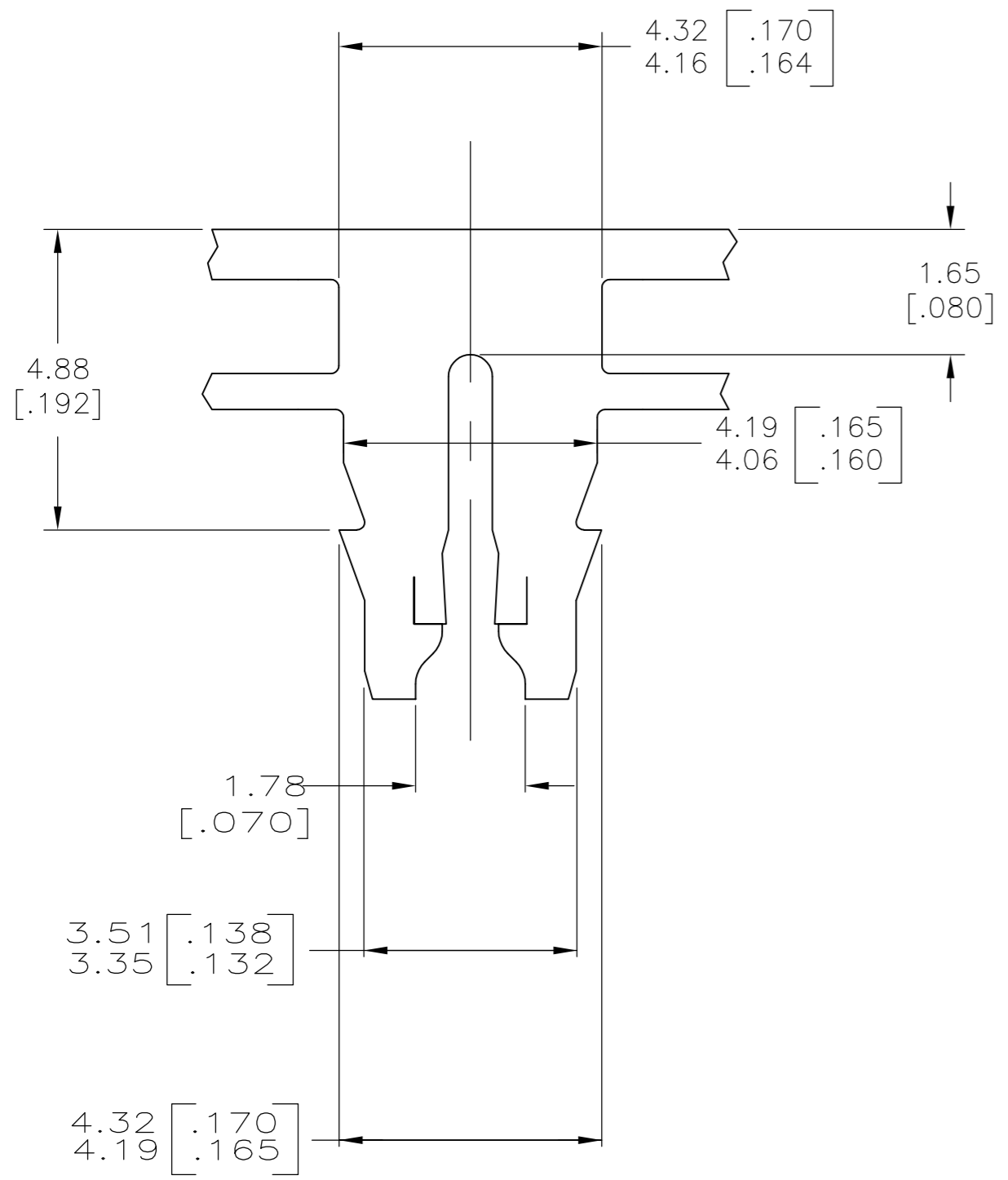
Address: A1208, Overseas Decoration Building, #122 Zhenhua RD., Futian, Shenzhen, China



THIS DRAWING IS UNPUBLISHED. RELEASED FOR PUBLICATION
 © COPYRIGHT - By - ALL RIGHTS RESERVED.

LOC		DIST		REVISIONS			
P	LTR	DESCRIPTION		DATE	DWN	APVD	
AF	50	C4		REVISED PER ECR-11-017717	30AUG11	HMR	KR

- 1 CONTINUOUS STRIP ON REELS WITH TERMINALS LOCATED ON 5.59 ± 0.08 [$.220 \pm .003$] CENTERS.
- 2 SLOT TERMINATES EITHER A SINGLE OR DOUBLE MAGNET WIRE OF THE SAME SIZE AND TYPE. COPPER RANGE: 0.91-1.02mm [#19-#17] AWG.
- 3 SPECIAL CAVITY ANVIL LOCATION REQUIRED 4.83 ± 0.07 [$.190 \pm .003$] REF APPLICATION SPEC 114-2046, SEC. 3.2 NOTE 7 REVISION T OR LATER.



REVERSE	1742159-2
STANDARD	1742159-1
REELING	PART NUMBER

THIS DRAWING IS A CONTROLLED DOCUMENT.		DWN	11AUG2004	MICHAEL S. FEHER			TE Connectivity	
DIMENSIONS: mm [INCHES]		CHK	11AUG2004	KURT A. RANDOLPH			NAME	
TOLERANCES UNLESS OTHERWISE SPECIFIED:		APVD	11AUG2004	KURT A. RANDOLPH			PRODUCT SPEC	
0 PLC ± -		114-2046 3		108-2012			APPLICATION SPEC	
1 PLC ± -		MATERIAL		4M BRASS		FINISH		
2 PLC ± 0.25 [.010]		0.002032 [.000080]		MIN TIN PLATE		WEIGHT		
3 PLC ± -		CUSTOMER DRAWING		SCALE		10:1		
4 PLC ± -		FINISH		MIN TIN PLATE		SHEET		
ANGLES ± -		0.002032 [.000080]		MIN TIN PLATE		1 of 1		
MATERIAL		4M BRASS		FINISH		MIN TIN PLATE		
DIMENSIONS: mm [INCHES]		0.002032 [.000080]		MIN TIN PLATE		REV		
TOLERANCES UNLESS OTHERWISE SPECIFIED:		CUSTOMER DRAWING		SCALE		C4		
0 PLC ± -		0.002032 [.000080]		MIN TIN PLATE		10:1		
1 PLC ± -		CUSTOMER DRAWING		SCALE		10:1		
2 PLC ± 0.25 [.010]		CUSTOMER DRAWING		SCALE		10:1		
3 PLC ± -		CUSTOMER DRAWING		SCALE		10:1		
4 PLC ± -		CUSTOMER DRAWING		SCALE		10:1		
ANGLES ± -		CUSTOMER DRAWING		SCALE		10:1		

1742159