



Chipsmall Limited consists of a professional team with an average of over 10 year of expertise in the distribution of electronic components. Based in Hongkong, we have already established firm and mutual-benefit business relationships with customers from,Europe,America and south Asia,supplying obsolete and hard-to-find components to meet their specific needs.

With the principle of "Quality Parts,Customers Priority,Honest Operation,and Considerate Service",our business mainly focus on the distribution of electronic components. Line cards we deal with include Microchip,ALPS,ROHM,Xilinx,Pulse,ON,Everlight and Freescale. Main products comprise IC,Modules,Potentiometer,IC Socket,Relay,Connector.Our parts cover such applications as commercial,industrial, and automotives areas.

We are looking forward to setting up business relationship with you and hope to provide you with the best service and solution. Let us make a better world for our industry!



## Contact us

Tel: +86-755-8981 8866 Fax: +86-755-8427 6832

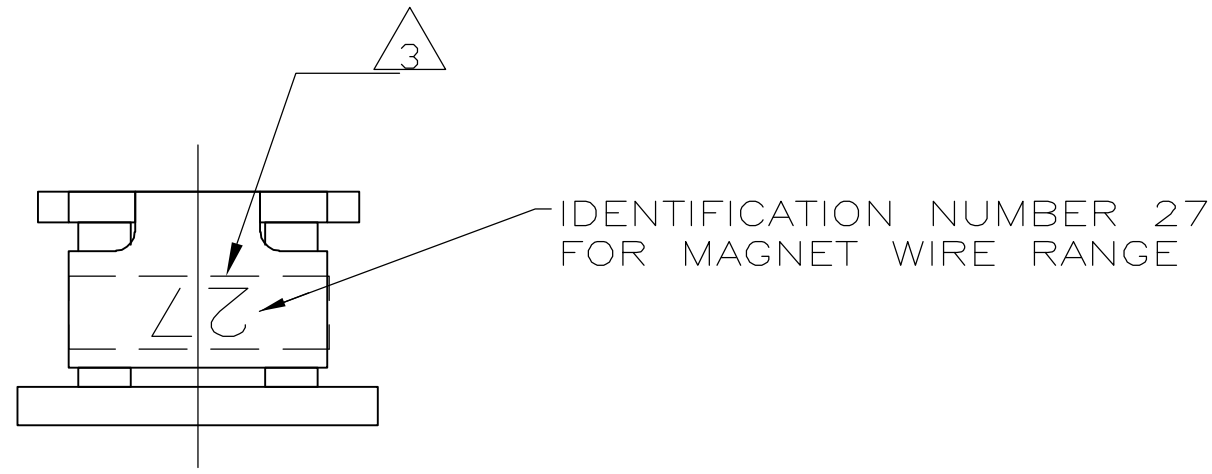
Email & Skype: info@chipsmall.com Web: www.chipsmall.com

Address: A1208, Overseas Decoration Building, #122 Zhenhua RD., Futian, Shenzhen, China

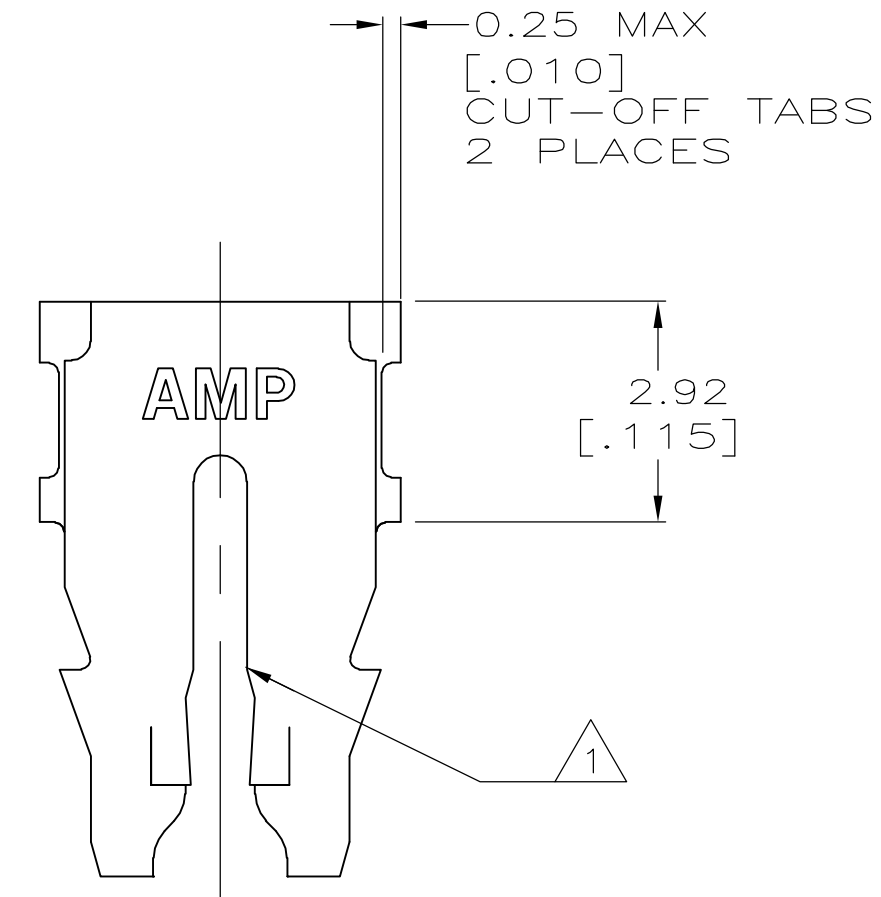
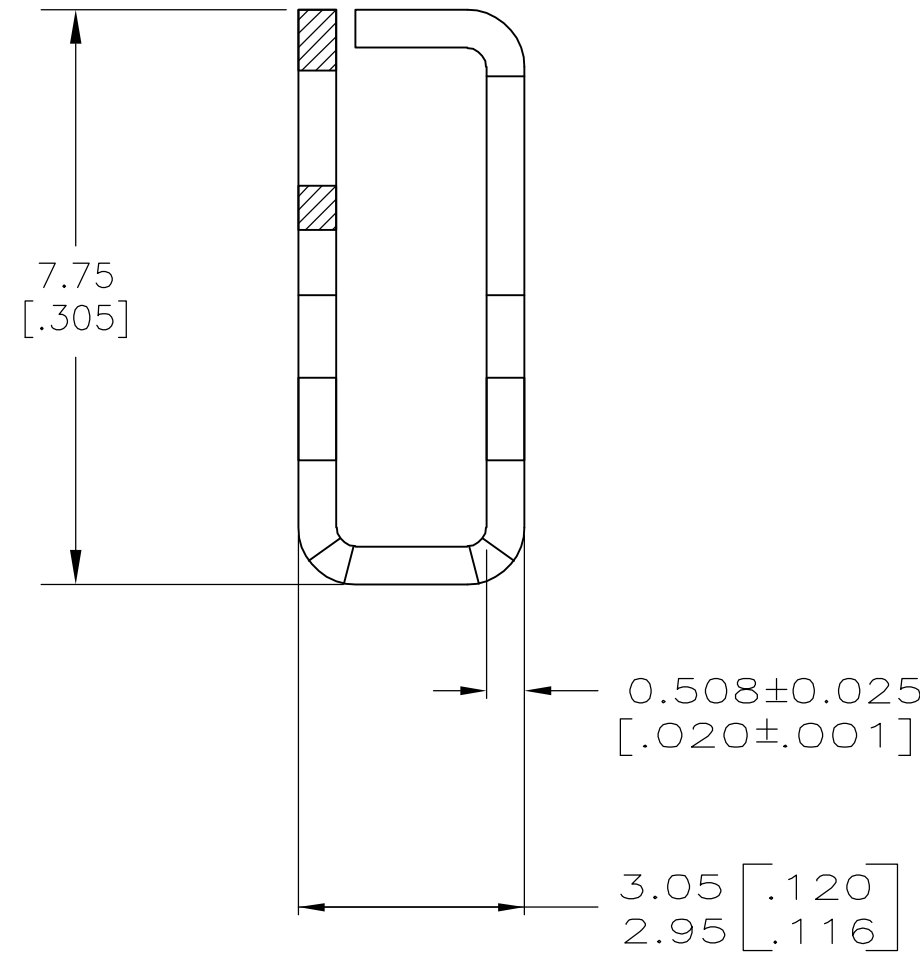
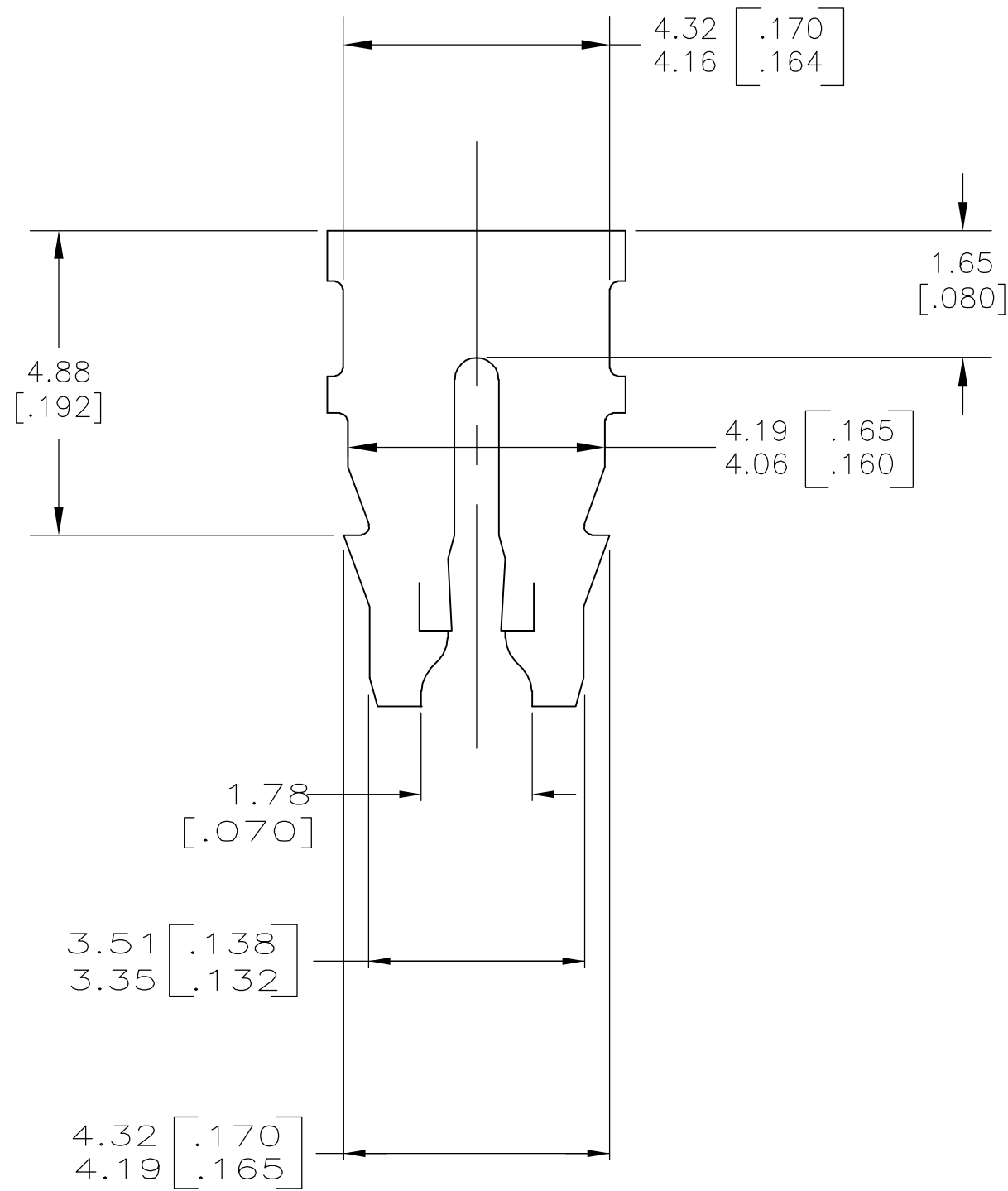


THIS DRAWING IS UNPUBLISHED. RELEASED FOR PUBLICATION  
 © COPYRIGHT BY TYCO ELECTRONICS CORPORATION. ALL RIGHTS RESERVED.

LOC	DIST	REVISIONS			
P	LTR	DESCRIPTION	DATE	DWN	APVD
AF	50	B	REVISED PER ECR-05-0177005	16DEC05	MF KR



- 1 SLOT TERMINATES EITHER A SINGLE OR DOUBLE MAGNET WIRE OF THE SAME SIZE AND TYPE. COPPER RANGE: 0.91-1.02mm [#19-#17] AWG.
- 2 SPECIAL CAVITY ANVIL LOCATION REQUIRED 4.83±0.07 [.190±.003]. REF APPLICATION SPEC 114-2046, SEC. 3.2, NOTE 7. REVISION T OR LATER.
- 3 ORANGE COLORING APPLIED TO THIS SURFACE DURING LOOSE PIECE OPERATION TO PROVIDE COLOR CODING OF MAGNET WIRE RANGE.



1742240-1  
 PART NUMBER

THIS DRAWING IS A CONTROLLED DOCUMENT.		DWN MICHAEL S. FEHER 17FEB2005	tyco Electronics Tyco Electronics Corporation Harrisburg, PA 17105-3608	
DIMENSIONS: INCHES		CHK KURT A. RANDOLPH 17FEB2005	NAME KURT A. RANDOLPH 17FEB2005	
TOLERANCES UNLESS OTHERWISE SPECIFIED:		APVD KURT A. RANDOLPH 17FEB2005	PRODUCT SPEC 108-2012	
0 PLC ± -		APPLICATION SPEC 114-2046	SIZE A2	CAGE CODE 00779
1 PLC ± -		FINISH 0.002032 [.000080] MIN TIN PLATE	DRAWING NO C=1742240	RESTRICTED TO -
2 PLC ± 0.25 [.010]		MATERIAL 4M BRASS	SCALE 10:1	SHEET 1 of 1
3 PLC ± -		WEIGHT -	CUSTOMER DRAWING	REV B
4 PLC ± -				
ANGLES ± -				