



Chipsmall Limited consists of a professional team with an average of over 10 year of expertise in the distribution of electronic components. Based in Hongkong, we have already established firm and mutual-benefit business relationships with customers from,Europe,America and south Asia,supplying obsolete and hard-to-find components to meet their specific needs.

With the principle of “Quality Parts,Customers Priority,Honest Operation,and Considerate Service”,our business mainly focus on the distribution of electronic components. Line cards we deal with include Microchip,ALPS,ROHM,Xilinx,Pulse,ON,Everlight and Freescale. Main products comprise IC,Modules,Potentiometer,IC Socket,Relay,Connector.Our parts cover such applications as commercial,industrial, and automotives areas.

We are looking forward to setting up business relationship with you and hope to provide you with the best service and solution. Let us make a better world for our industry!



Contact us

Tel: +86-755-8981 8866 Fax: +86-755-8427 6832

Email & Skype: info@chipsmall.com Web: www.chipsmall.com

Address: A1208, Overseas Decoration Building, #122 Zhenhua RD., Futian, Shenzhen, China

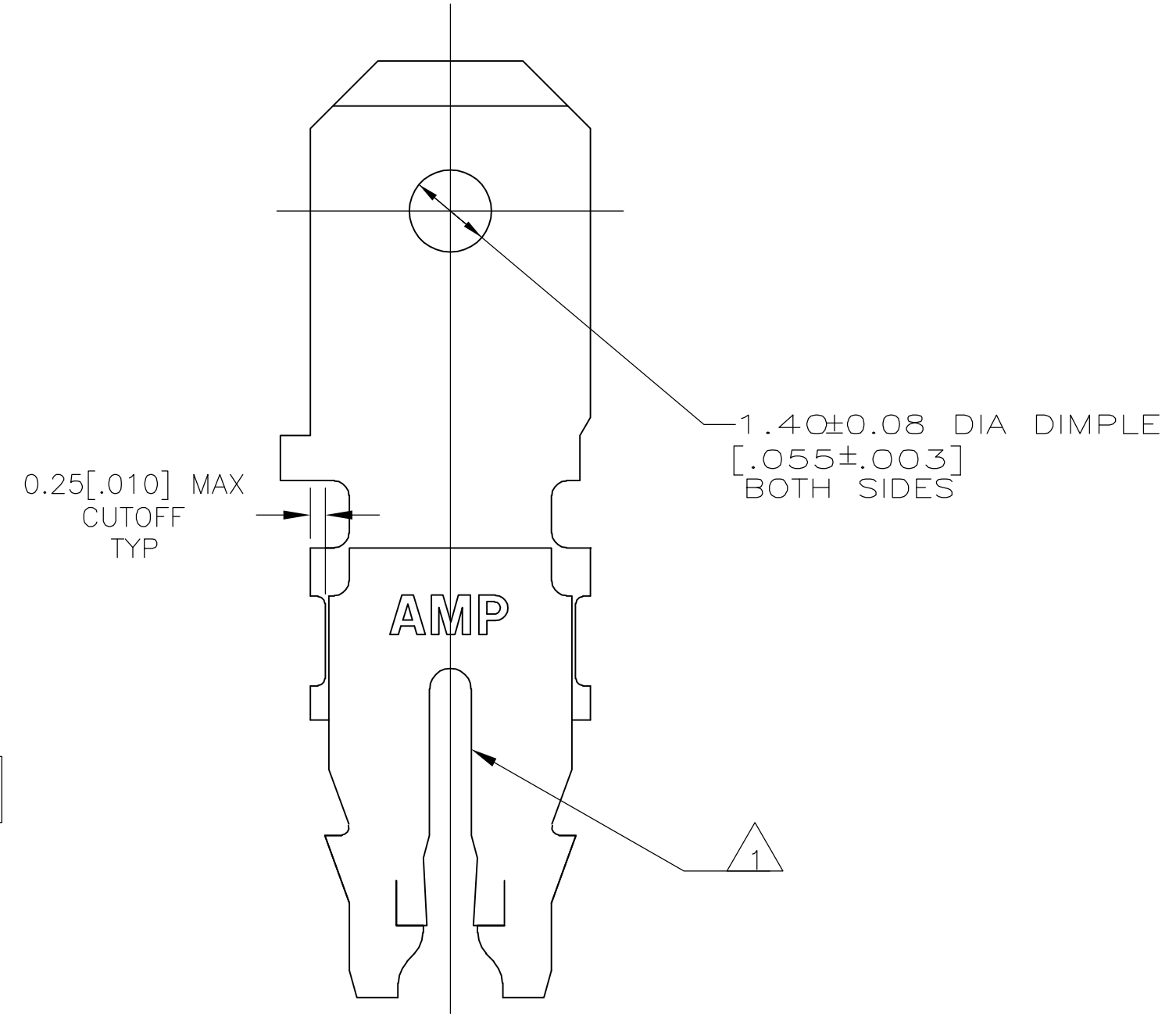
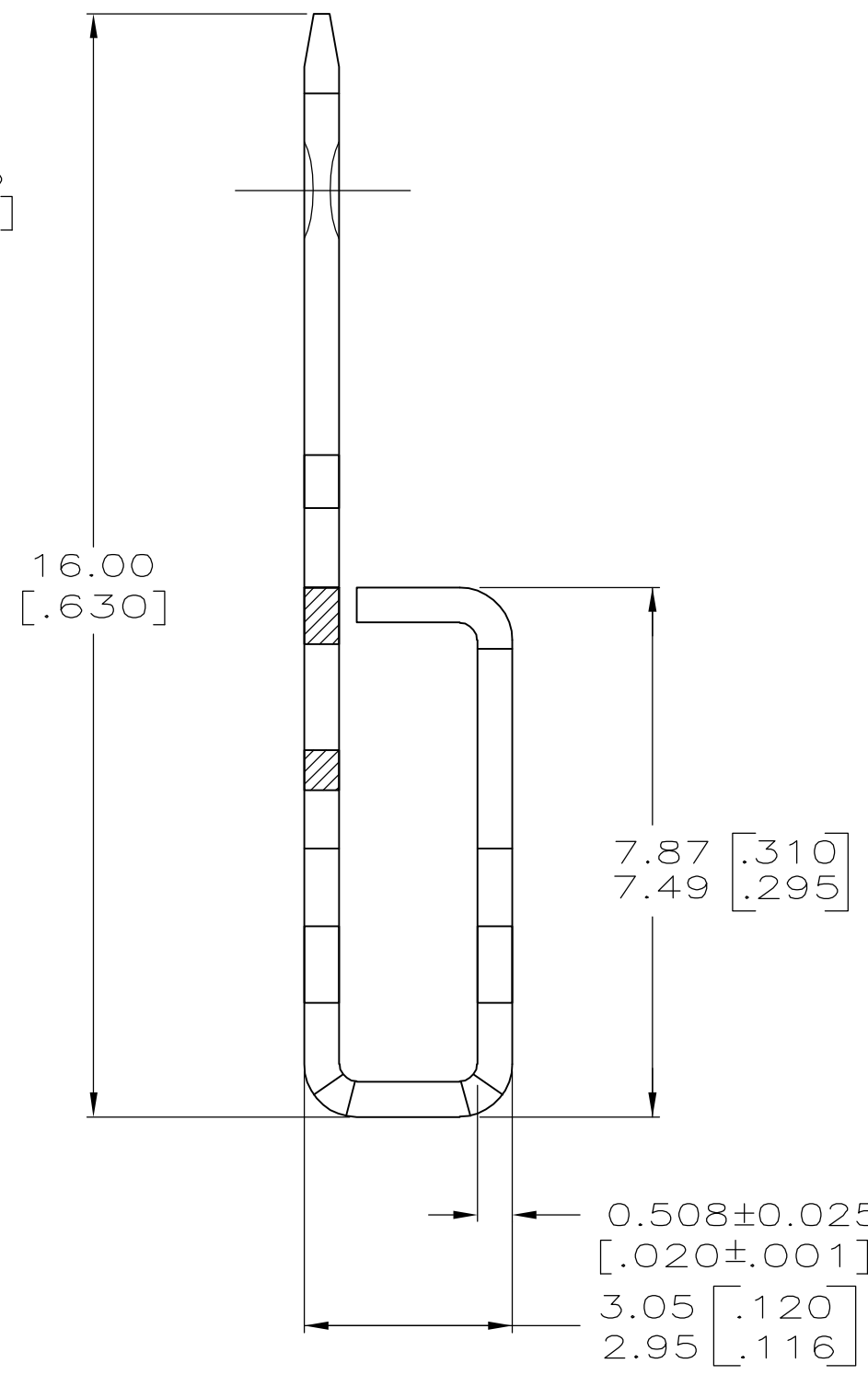
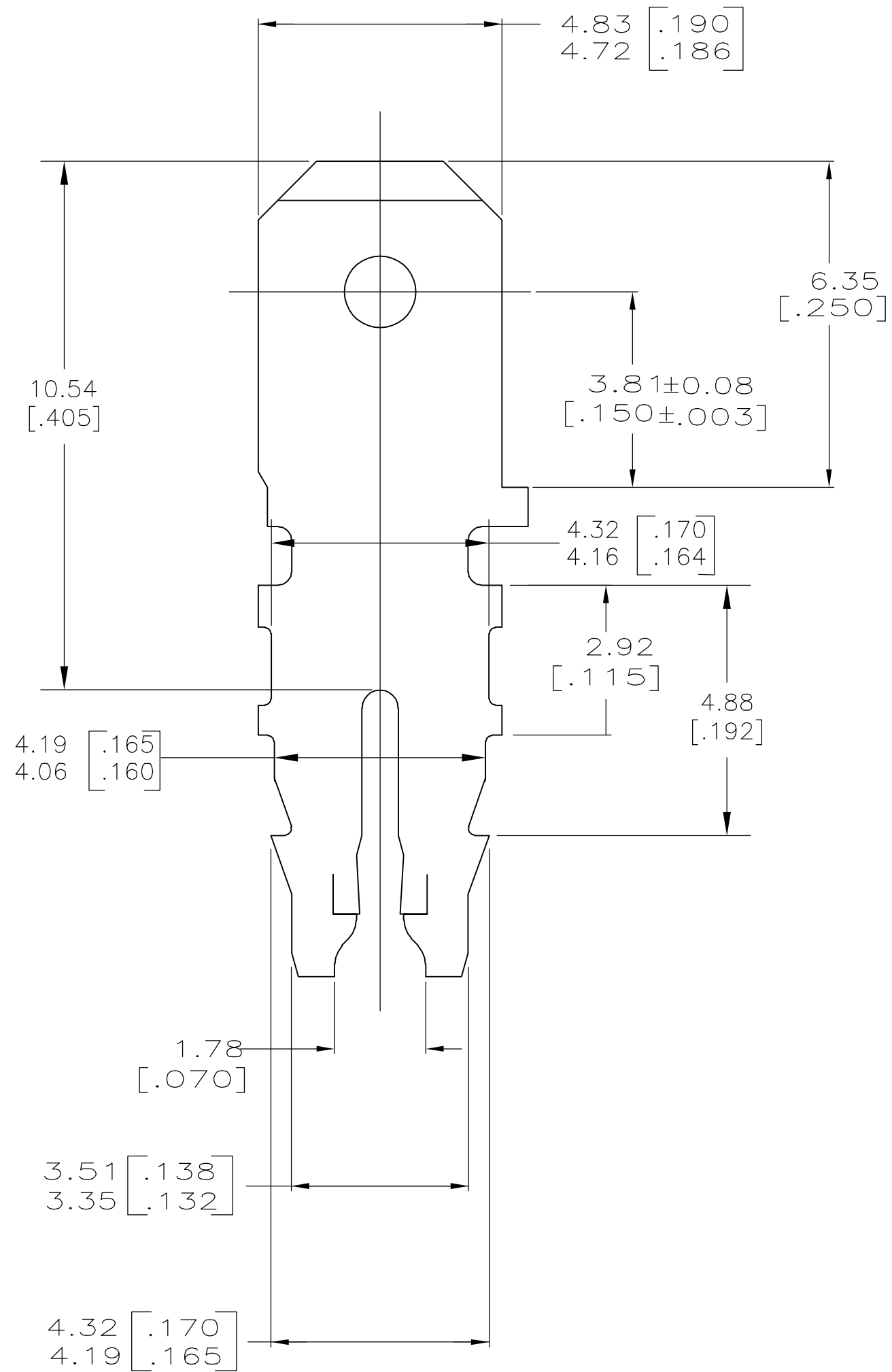


THIS DRAWING IS UNPUBLISHED. RELEASED FOR PUBLICATION
 © COPYRIGHT BY TYCO ELECTRONICS CORPORATION. ALL RIGHTS RESERVED.

LOC		DIST		REVISIONS			
AF	50	P	LTR	DESCRIPTION	DATE	DWN	APVD
		A1		REVISED PER ECR-05-009099	30AUG05	MF	KR



- 1 SLOT TERMINATES EITHER A SINGLE OR DOUBLE MAGNET WIRE OF THE SAME SIZE AND TYPE.
COPPER RANGE: 0.91-1.15mm [#19-#17] AWG.
- 2 AFTER INSERTION INTO PLASTIC HOLDER TAB PORTION MUST BE BENT OVER 45° TO 90° OR POTTED TO PREVENT PULL-OUT WHEN MATING RECEPTACLE IS DISCONNECTED.
- 3 SPECIAL CAVITY ANVIL HEIGHT REQUIRED
3.30±0.07 [.130±.003]
REF APPLICATION SPEC 114-2046, SEC. 3.2, NOTE 7



1742242-1
PART NUMBER

THIS DRAWING IS A CONTROLLED DOCUMENT.		DWN 17FEB2005 MICHAEL S. FEHER	tyco Tyco Electronics Corporation Harrisburg, Pa 17105-3608	
DIMENSIONS: INCHES		CHK 17FEB2005 KURT A. RANDOLPH	NAME	
TOLERANCES UNLESS OTHERWISE SPECIFIED:		APVD 17FEB2005 KURT A. RANDOLPH	PRODUCT SPEC	
0 PLC ± -	1 PLC ± -	APPLICATION SPEC	108-2012	
2 PLC ± 0.25 [.010]	3 PLC ± -	114-2046	SIZE	A2
4 PLC ± -	ANGLES ± -	3	CAGE CODE	00779
MATERIAL 4M BRASS	FINISH 0.002032 [.000080] MIN TIN PLATE	WEIGHT -	DRAWING NO	C=1742242
CUSTOMER DRAWING			RESTRICTED TO	-
SCALE 10:1		SHEET 1 OF 1	REV A1	