



Chipsmall Limited consists of a professional team with an average of over 10 year of expertise in the distribution of electronic components. Based in Hongkong, we have already established firm and mutual-benefit business relationships with customers from,Europe,America and south Asia,supplying obsolete and hard-to-find components to meet their specific needs.

With the principle of “Quality Parts,Customers Priority,Honest Operation,and Considerate Service”,our business mainly focus on the distribution of electronic components. Line cards we deal with include Microchip,ALPS,ROHM,Xilinx,Pulse,ON,Everlight and Freescale. Main products comprise IC,Modules,Potentiometer,IC Socket,Relay,Connector.Our parts cover such applications as commercial,industrial, and automotives areas.

We are looking forward to setting up business relationship with you and hope to provide you with the best service and solution. Let us make a better world for our industry!



Contact us

Tel: +86-755-8981 8866 Fax: +86-755-8427 6832

Email & Skype: info@chipsmall.com Web: www.chipsmall.com

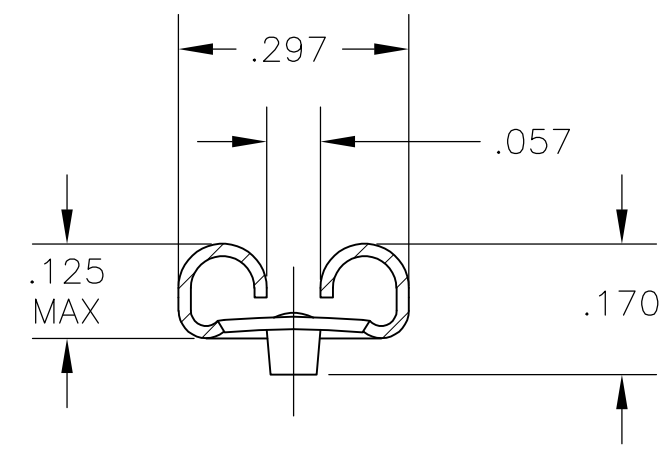
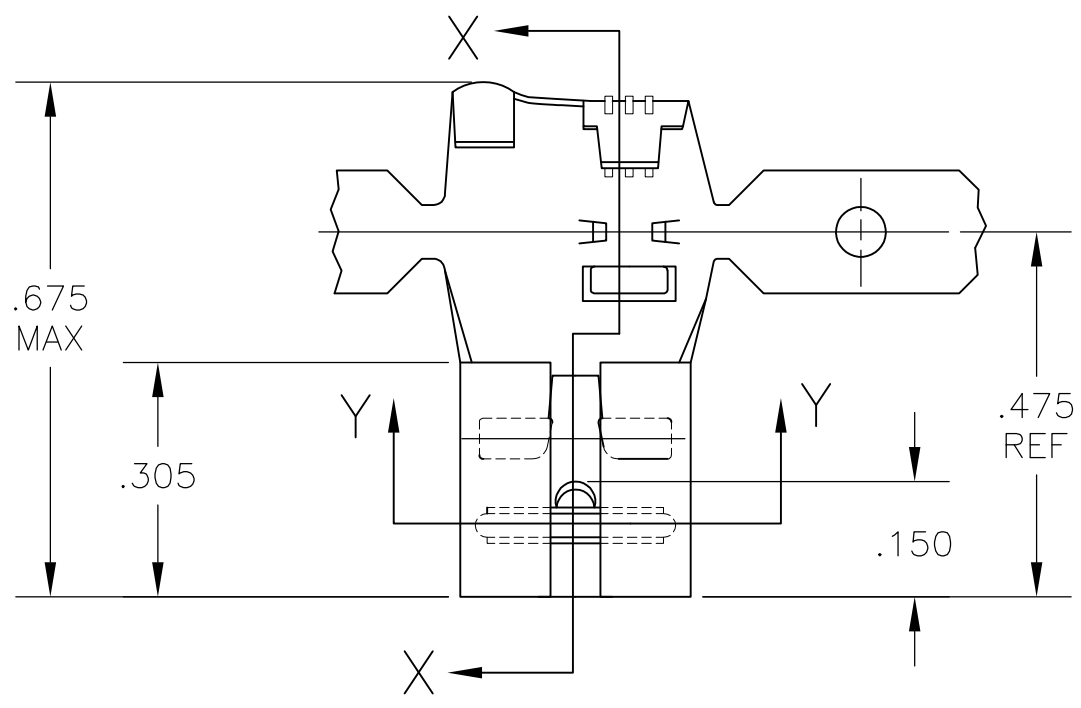
Address: A1208, Overseas Decoration Building, #122 Zhenhua RD., Futian, Shenzhen, China



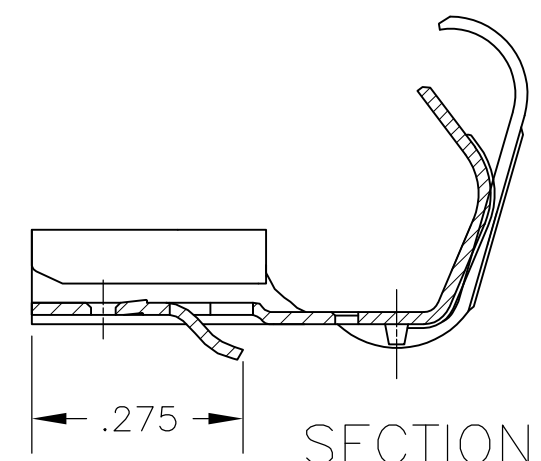
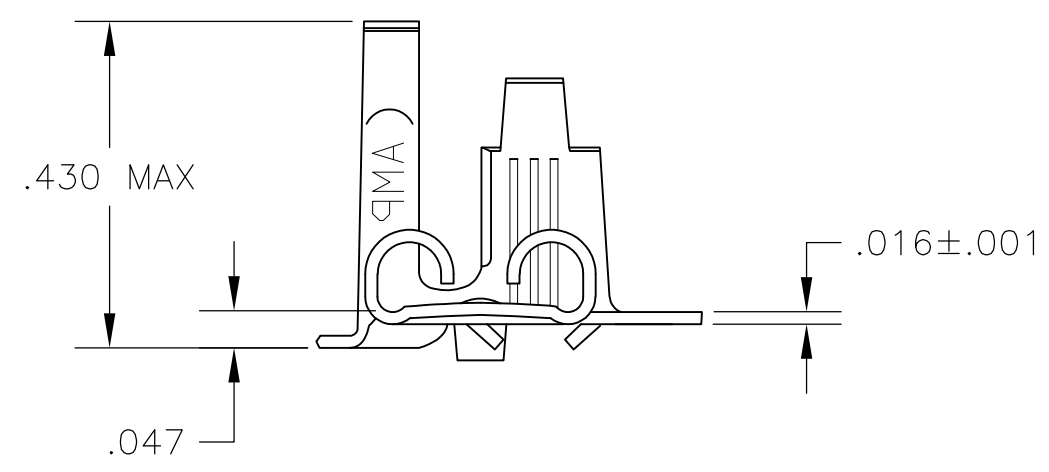
THIS DRAWING IS UNPUBLISHED. RELEASED FOR PUBLICATION
 © COPYRIGHT - By - ALL RIGHTS RESERVED.

LOC	DIST	REVISIONS					
AF	50	P	LTR	DESCRIPTION	DATE	DWN	APVD
		C		REVISED PER ECR-11-018063	07DEC11	KH	PD

- 1 CONTINUOUS STRIP ON REELS
- 2 WIRE SIZE IS #16-#14 AWG
- 3 INSULATION RANGE IS .110-.210 DIA
- 4 MATING TAB THK IS .032±.001
- △ LUBRICANT APPLIED AFTER PLATING.



SECTION Y-Y



SECTION X-X

1742291-1
PART NO

THIS DRAWING IS A CONTROLLED DOCUMENT.		DWN jr_ruth 17MAY05	TE Connectivity NAME RECEPTACLE, FLAG, FASTIN-FASTON, .250 SERIES						
DIMENSIONS: INCHES		CHK K RANDOLPH 17MAY05							
TOLERANCES UNLESS OTHERWISE SPECIFIED:		APVD K RANDOLPH 17MAY05	PRODUCT SPEC						
0 PLC ± - 1 PLC ± - 2 PLC ± - 3 PLC ± .010 4 PLC ± - ANGLES ± 5°		APPLICATION SPEC		RESTRICTED TO					
MATERIAL H04 PHOS BRONZE		FINISH TIN △ 5		SIZE A3	CAGE CODE 00779	DRAWING NO C-1742291	SCALE 1:1	SHEET 1 OF 1	REV C
CUSTOMER DRAWING									