



Chipsmall Limited consists of a professional team with an average of over 10 year of expertise in the distribution of electronic components. Based in Hongkong, we have already established firm and mutual-benefit business relationships with customers from,Europe,America and south Asia,supplying obsolete and hard-to-find components to meet their specific needs.

With the principle of “Quality Parts,Customers Priority,Honest Operation,and Considerate Service”,our business mainly focus on the distribution of electronic components. Line cards we deal with include Microchip,ALPS,ROHM,Xilinx,Pulse,ON,Everlight and Freescale. Main products comprise IC,Modules,Potentiometer,IC Socket,Relay,Connector.Our parts cover such applications as commercial,industrial, and automotives areas.

We are looking forward to setting up business relationship with you and hope to provide you with the best service and solution. Let us make a better world for our industry!



Contact us

Tel: +86-755-8981 8866 Fax: +86-755-8427 6832

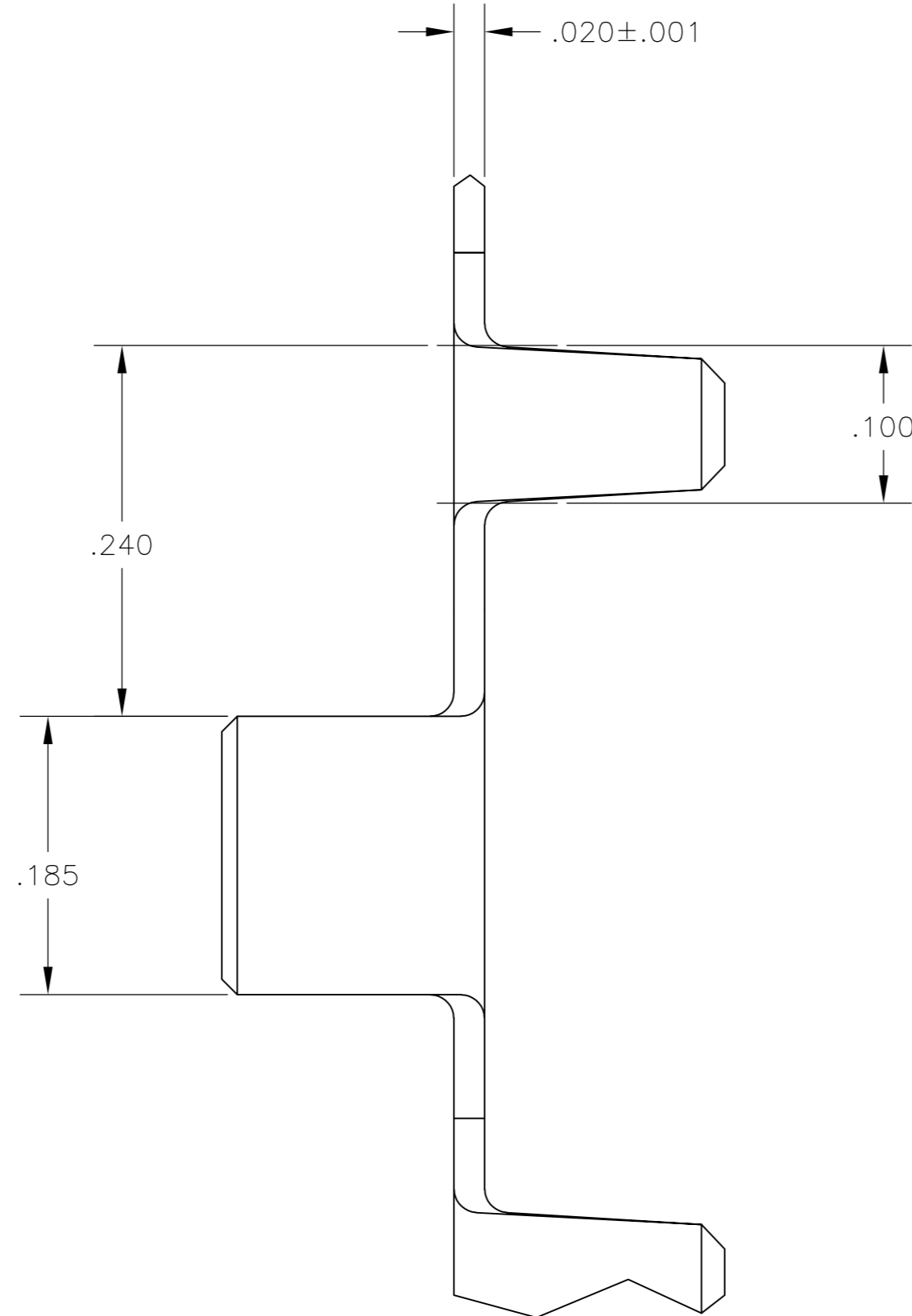
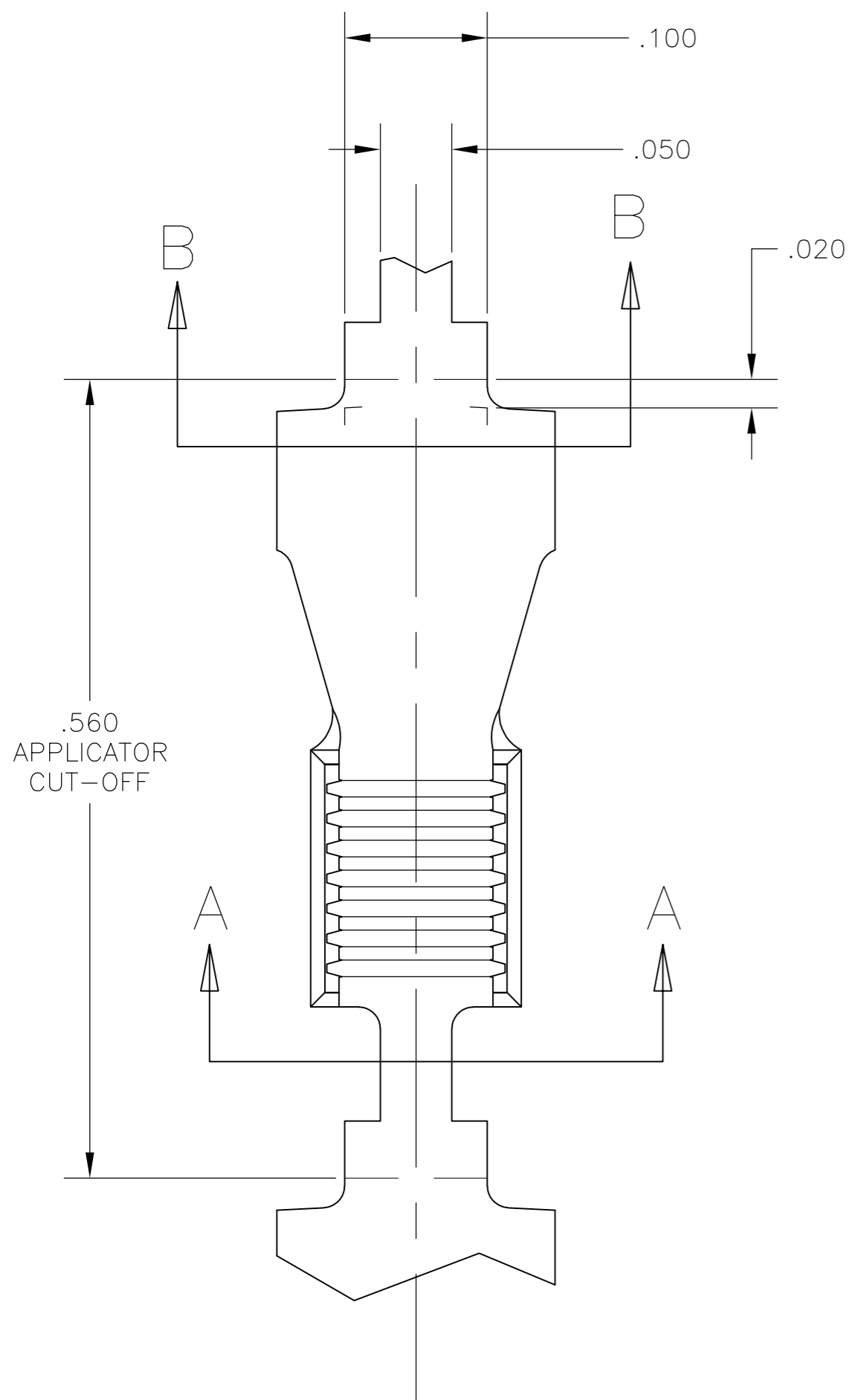
Email & Skype: info@chipsmall.com Web: www.chipsmall.com

Address: A1208, Overseas Decoration Building, #122 Zhenhua RD., Futian, Shenzhen, China

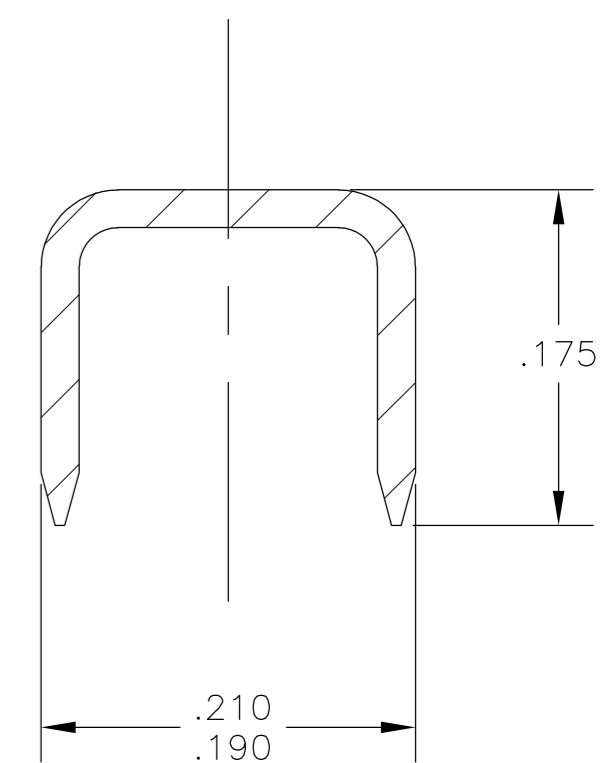
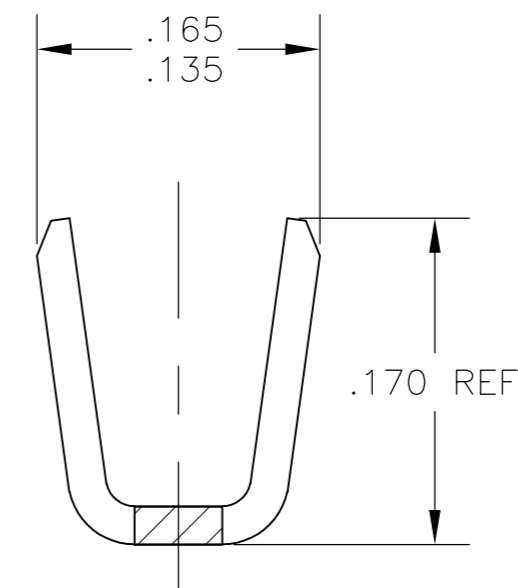


THIS DRAWING IS UNPUBLISHED. RELEASED FOR PUBLICATION
 © COPYRIGHT - By - ALL RIGHTS RESERVED.

LOC		DIST		REVISIONS			
P	LTR	DESCRIPTION		DATE	DWN	APVD	
AF	14	B		REVISE PER ECR -13-003819	06JAN13	GRZ	DZ



- 1 PRODUCT PROVIDED IN STRIP FORM ON REELS; BREAKS MAY BE PRESENT.
- 2 WIRE RANGE: 3000-6000 CMA.
- 3 BOARD THICKNESS: .062
- 4 BOARD HOLE SIZE: .110±.005 X .215±.005.
- 5 PRELIMINARY - NOT FOR PRODUCTION.



SECTION A-A

SECTION B-B

1742324

REVERSE	1742324-2
STANDARD	5 1742324-1
REELING	PART NUMBER

THIS DRAWING IS A CONTROLLED DOCUMENT.		DWN	M.S. FEHER	25JUL2005																		
DIMENSIONS: INCHES		CHK	G.D. PORTA	27JUL2005																		
TOLERANCES UNLESS OTHERWISE SPECIFIED:		APVD	G.D. PORTA	27JUL2005																		
<table border="1"> <tr><td>0 PLC</td><td>±</td><td>-</td></tr> <tr><td>1 PLC</td><td>±</td><td>-</td></tr> <tr><td>2 PLC</td><td>±</td><td>-</td></tr> <tr><td>3 PLC</td><td>±</td><td>.010</td></tr> <tr><td>4 PLC</td><td>±</td><td>-</td></tr> <tr><td>ANGLES</td><td>±</td><td>1°</td></tr> </table>		0 PLC	±	-	1 PLC	±	-	2 PLC	±	-	3 PLC	±	.010	4 PLC	±	-	ANGLES	±	1°	NAME	G.D. PORTA	
0 PLC	±	-																				
1 PLC	±	-																				
2 PLC	±	-																				
3 PLC	±	.010																				
4 PLC	±	-																				
ANGLES	±	1°																				
MATERIAL: BRASS		FINISH	TIN PLATE																			
WEIGHT		-																				
CUSTOMER DRAWING		SCALE	8:1																			
SIZE	A2	CAGE CODE	00779	DRAWING NO																		
RESTRICTED TO		-																				
SHEET		1 of 1																				
REV		B																				

TE TE Connectivity
 SPLICE, AMPLIVAR STAKING,
 SEVEN (7) SERRATIONS