



Chipsmall Limited consists of a professional team with an average of over 10 year of expertise in the distribution of electronic components. Based in Hongkong, we have already established firm and mutual-benefit business relationships with customers from,Europe,America and south Asia,supplying obsolete and hard-to-find components to meet their specific needs.

With the principle of “Quality Parts,Customers Priority,Honest Operation,and Considerate Service”,our business mainly focus on the distribution of electronic components. Line cards we deal with include Microchip,ALPS,ROHM,Xilinx,Pulse,ON,Everlight and Freescale. Main products comprise IC,Modules,Potentiometer,IC Socket,Relay,Connector.Our parts cover such applications as commercial,industrial, and automotives areas.

We are looking forward to setting up business relationship with you and hope to provide you with the best service and solution. Let us make a better world for our industry!



Contact us

Tel: +86-755-8981 8866 Fax: +86-755-8427 6832

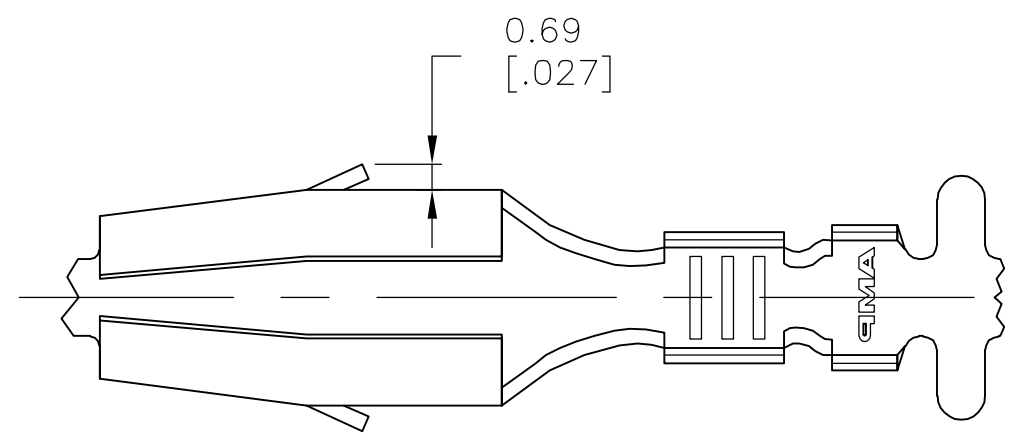
Email & Skype: info@chipsmall.com Web: www.chipsmall.com

Address: A1208, Overseas Decoration Building, #122 Zhenhua RD., Futian, Shenzhen, China

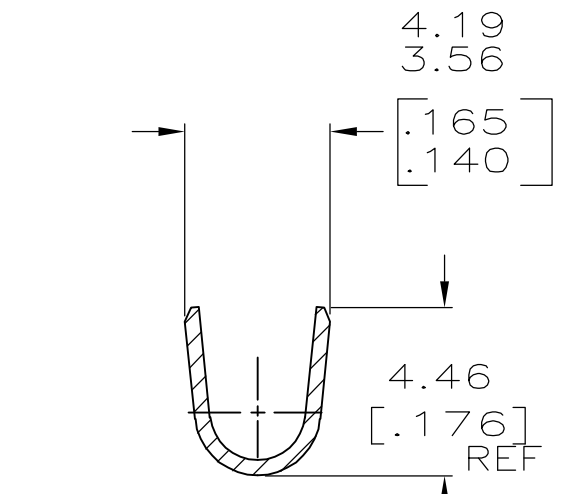
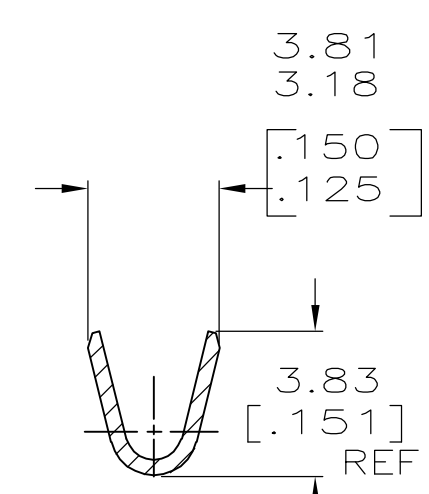
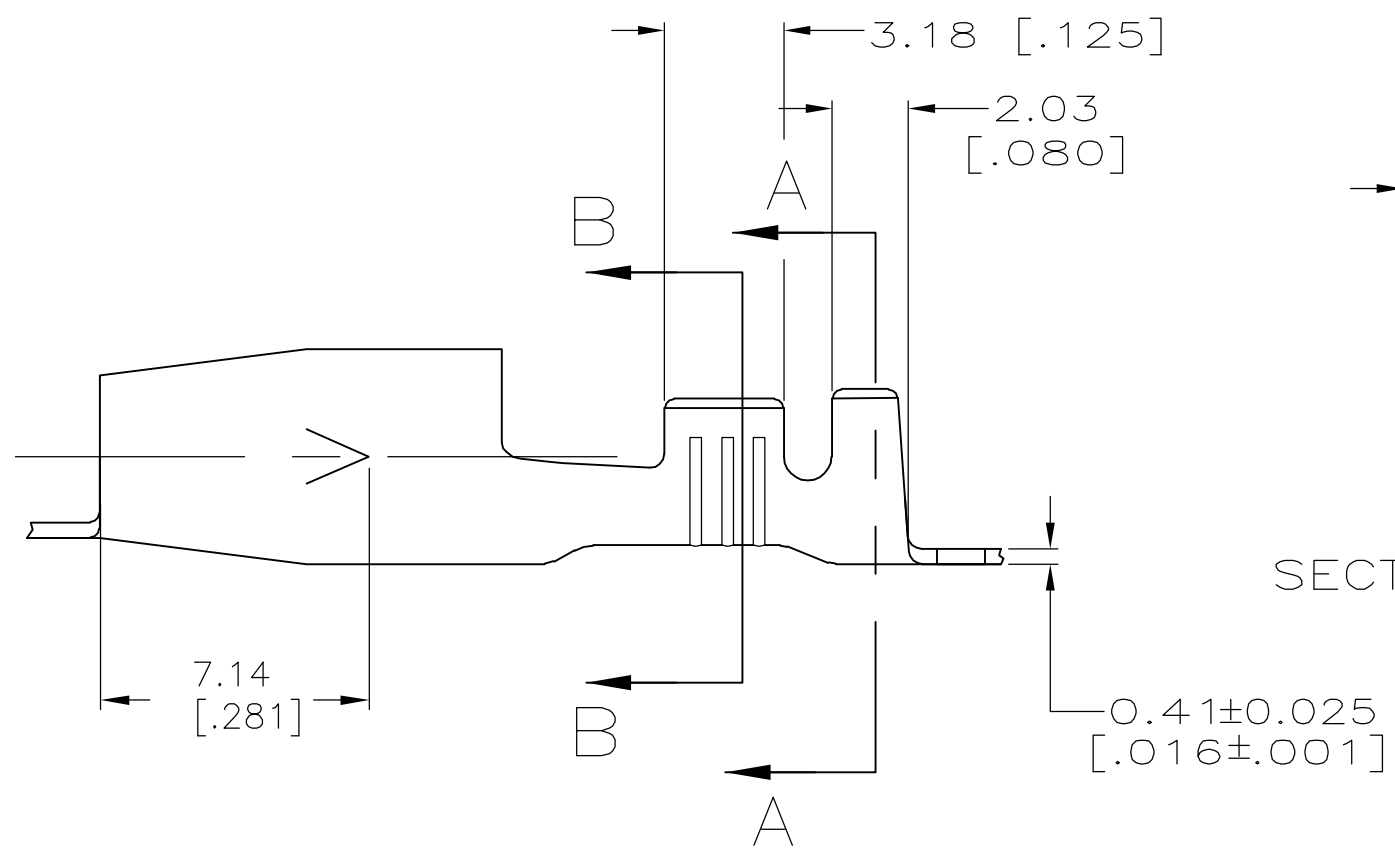
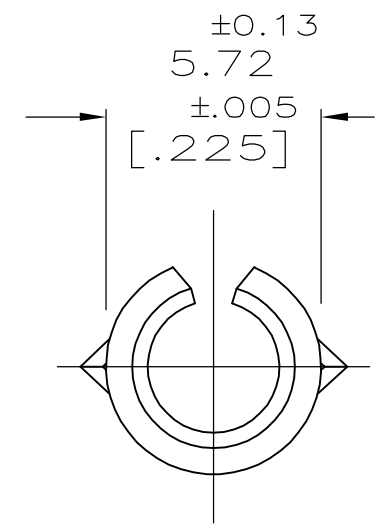


THIS DRAWING IS UNPUBLISHED. RELEASED FOR PUBLICATION
 © COPYRIGHT BY TYCO ELECTRONICS CORPORATION. ALL RIGHTS RESERVED.

| LOC | DIST | REVISIONS | | | |
|-----|------|-------------|---------------------------|---------|-------|
| P | LTR | DESCRIPTION | DATE | DWN | APVD |
| AF | 50 | A | REVISED PER ECR-06-002268 | 03FEB06 | MF DD |



- CONTINUOUS STRIP ON REELS.
- WIRE SIZE [#18-#14 OR TWO #18'S] AWG.
- INSULATION RANGE IS 2.29-3.05 [.090-.120] DIA.



1742365-1
 PART NUMBER

| | | | | | |
|--|--|----------------------------------|---|-----------------------|---------------|
| THIS DRAWING IS A CONTROLLED DOCUMENT. | | DWN M.S. FEHER 24OCT2005 | Tyco Electronics Corporation Harrisburg, PA 17105-3608 | | |
| DIMENSIONS: mm [INCHES] | | CHK D.F. DECKER 24OCT2005 | | | |
| | | APVD D.F. DECKER 24OCT2005 | NAME PIN, SPECIAL, 5.72 [.225] DIA | | |
| TOLERANCES UNLESS OTHERWISE SPECIFIED: | | PRODUCT SPEC | SIZE A3 | | |
| 0 PLC ± - | | APPLICATION SPEC | CAGE CODE 00779 | DRAWING NO 1742365 | RESTRICTED TO |
| 1 PLC ± - | | WEIGHT | SCALE 5:1 | | |
| 2 PLC ± 0.38 [.015] | | CUSTOMER DRAWING | SHEET 1 of 1 | | |
| 3 PLC ± - | | | REV A | | |
| 4 PLC ± - | | | | | |
| ANGLES ± - | | | | | |
| FINISH | | | | | |
| MATERIAL H04 BRASS | | | | | |