



Chipsmall Limited consists of a professional team with an average of over 10 year of expertise in the distribution of electronic components. Based in Hongkong, we have already established firm and mutual-benefit business relationships with customers from,Europe,America and south Asia,supplying obsolete and hard-to-find components to meet their specific needs.

With the principle of “Quality Parts,Customers Priority,Honest Operation,and Considerate Service”,our business mainly focus on the distribution of electronic components. Line cards we deal with include Microchip,ALPS,ROHM,Xilinx,Pulse,ON,Everlight and Freescale. Main products comprise IC,Modules,Potentiometer,IC Socket,Relay,Connector.Our parts cover such applications as commercial,industrial, and automotives areas.

We are looking forward to setting up business relationship with you and hope to provide you with the best service and solution. Let us make a better world for our industry!



Contact us

Tel: +86-755-8981 8866 Fax: +86-755-8427 6832

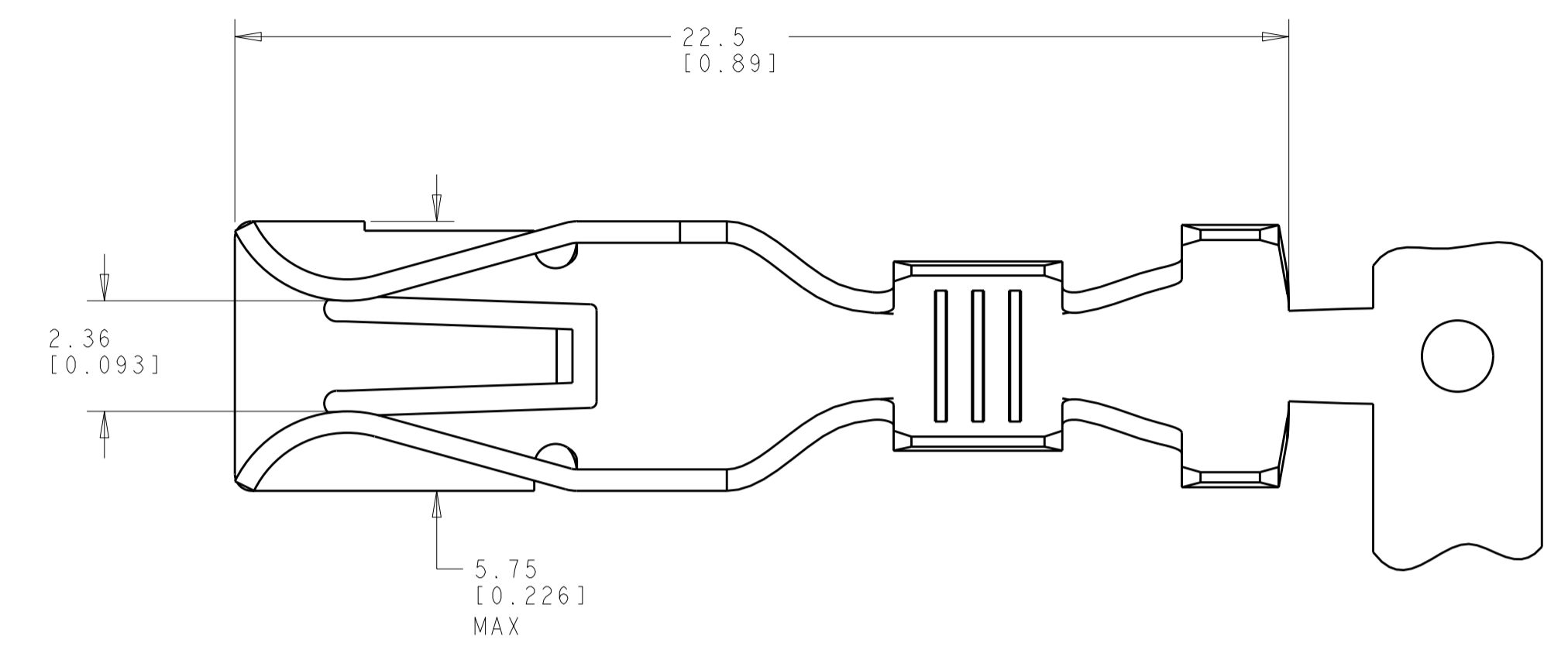
Email & Skype: info@chipsmall.com Web: www.chipsmall.com

Address: A1208, Overseas Decoration Building, #122 Zhenhua RD., Futian, Shenzhen, China

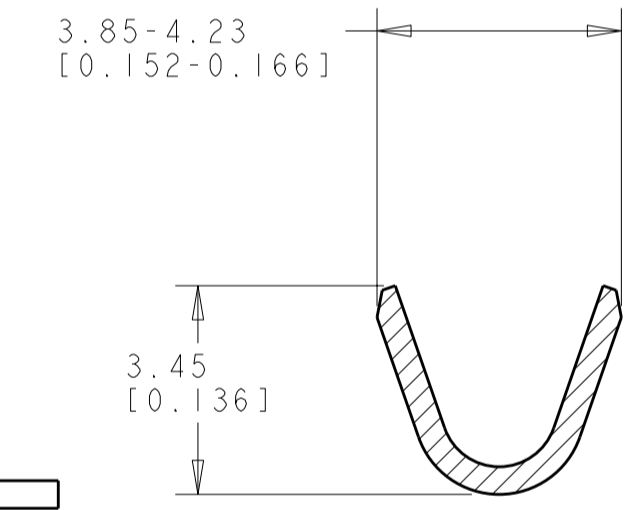
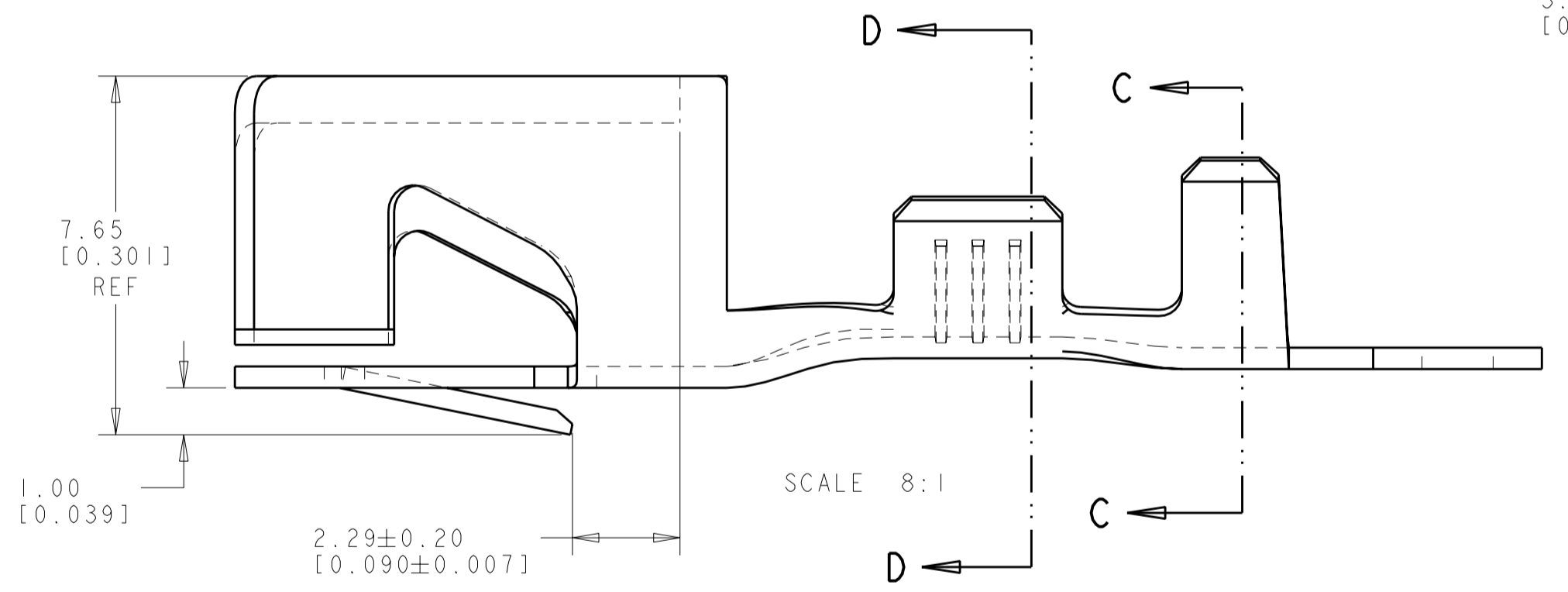
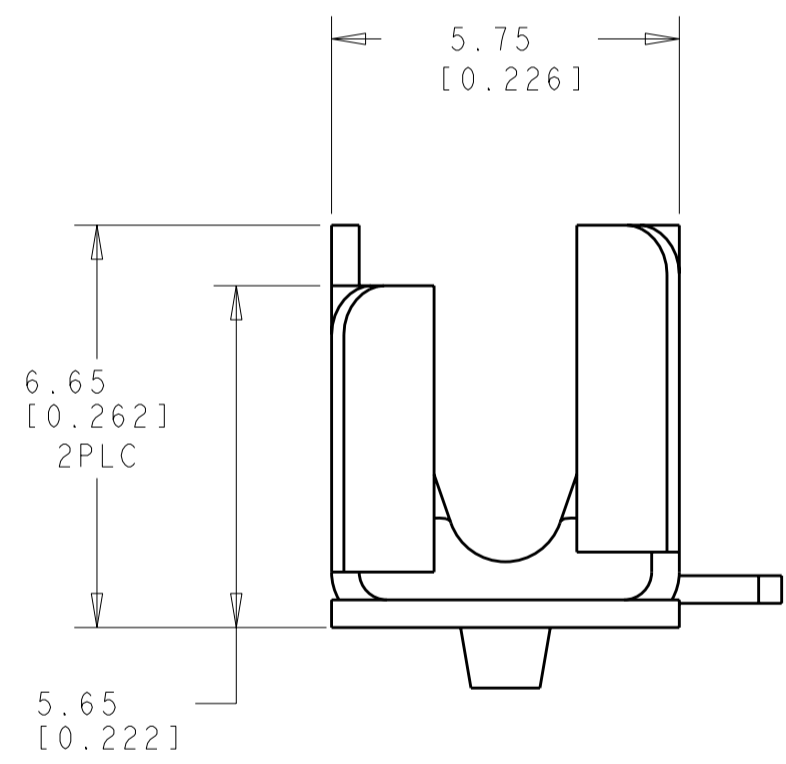


THIS DRAWING IS UNPUBLISHED. RELEASED FOR PUBLICATION 20
 © COPYRIGHT 20 BY TYCO ELECTRONICS CORPORATION. ALL RIGHTS RESERVED.

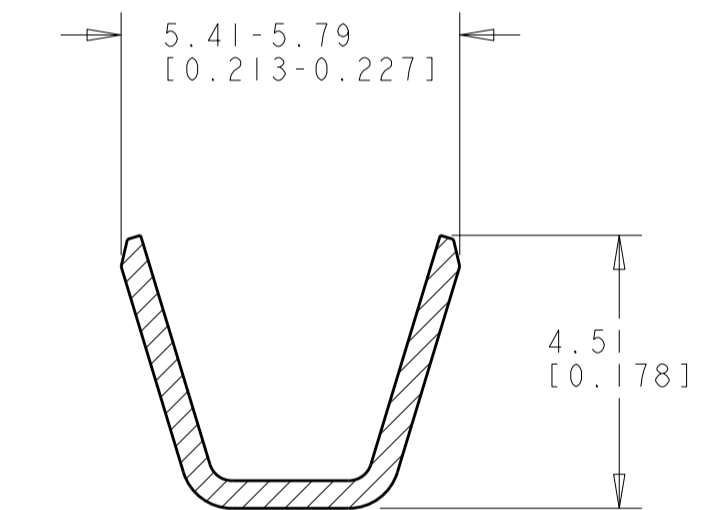
LOC		DIST		REVISIONS			
P	LTR	DESCRIPTION	DATE	DWN	APVD		
	A3	REVISED PER ECR-08-008671	24APR2008	HMR	DD		



- NOTES:
- 1 MATERIAL: 0.457 THK, PHOSPHOR BRONZE
 - 2 FINISH: PRE-PLATED TIN
 - 3 CONTINUOUS STRIP ON REELS
 - 4 PREPRODUCTION - FASR REQUIRED.



SECTION D-D



SECTION C-C

SCALE 8:1

F OR 0	4.57 [.180]	7.00 [.276]	F	2.79 [.110]	1.75 [.069]	2 [#18]
					1.47 [.058]	1 [#18]
TYPE	WIDTH	STRIP LENGTH ±0.38 ±[.015]	TYPE	WIDTH	±0.051 ±[.002] HEIGHT	WIRE
INSUL BARREL CRIMP		WIRE BARREL CRIMP				

1.78 - 1.98 DIA [.070 - .078] DIA	[#20 - #18] AWG	1742396-1
INSULATION RANGE	WIRE SIZE	PART NUMBER

THIS DRAWING IS A CONTROLLED DOCUMENT FOR TYCO ELECTRONICS CORPORATION. IT IS SUBJECT TO CHANGE AND THE CONTROLLING ENGINEERING ORGANIZATION SHOULD BE CONTACTED FOR THE LATEST REVISION.		DWN S_HILT 15MAY2007	Tyco Electronics Harrisburg, PA 17105-3608	
DIMENSIONS: mm		CHK S_HORST 15MAY2007	NAME TERMINAL, LAMP SOCKET, GROUND	
TOLERANCES UNLESS OTHERWISE SPECIFIED: 0 PLC ± 1 PLC ± 2 PLC ±0.13 3 PLC ± 4 PLC ± ANGLES ± FINISH		APVD -	RESTRICTED TO -	
MATERIAL		PRODUCT SPEC 108-2315	SIZE A200779	DRAWING NO C-1742396
1		APPLICATION SPEC 114-13209	SCALE 8 SHEET 1 OF 1 REV A3	
2		WEIGHT -	CUSTOMER DRAWING	