



Chipsmall Limited consists of a professional team with an average of over 10 year of expertise in the distribution of electronic components. Based in Hongkong, we have already established firm and mutual-benefit business relationships with customers from,Europe,America and south Asia,supplying obsolete and hard-to-find components to meet their specific needs.

With the principle of “Quality Parts,Customers Priority,Honest Operation,and Considerate Service”,our business mainly focus on the distribution of electronic components. Line cards we deal with include Microchip,ALPS,ROHM,Xilinx,Pulse,ON,Everlight and Freescale. Main products comprise IC,Modules,Potentiometer,IC Socket,Relay,Connector.Our parts cover such applications as commercial,industrial, and automotives areas.

We are looking forward to setting up business relationship with you and hope to provide you with the best service and solution. Let us make a better world for our industry!



Contact us

Tel: +86-755-8981 8866 Fax: +86-755-8427 6832

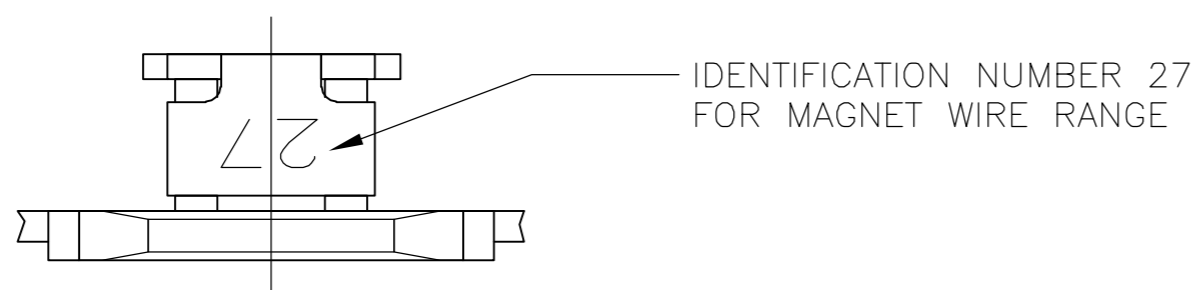
Email & Skype: info@chipsmall.com Web: www.chipsmall.com

Address: A1208, Overseas Decoration Building, #122 Zhenhua RD., Futian, Shenzhen, China

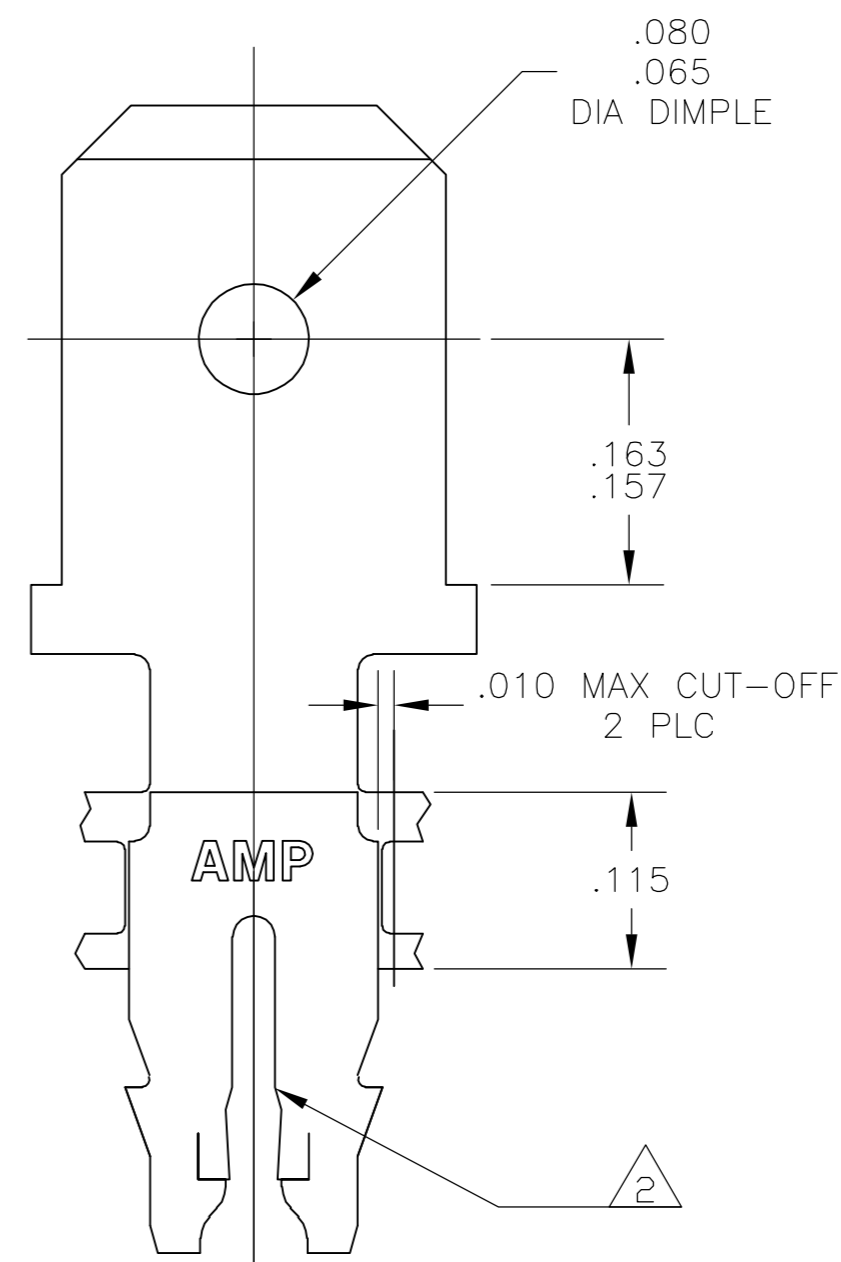
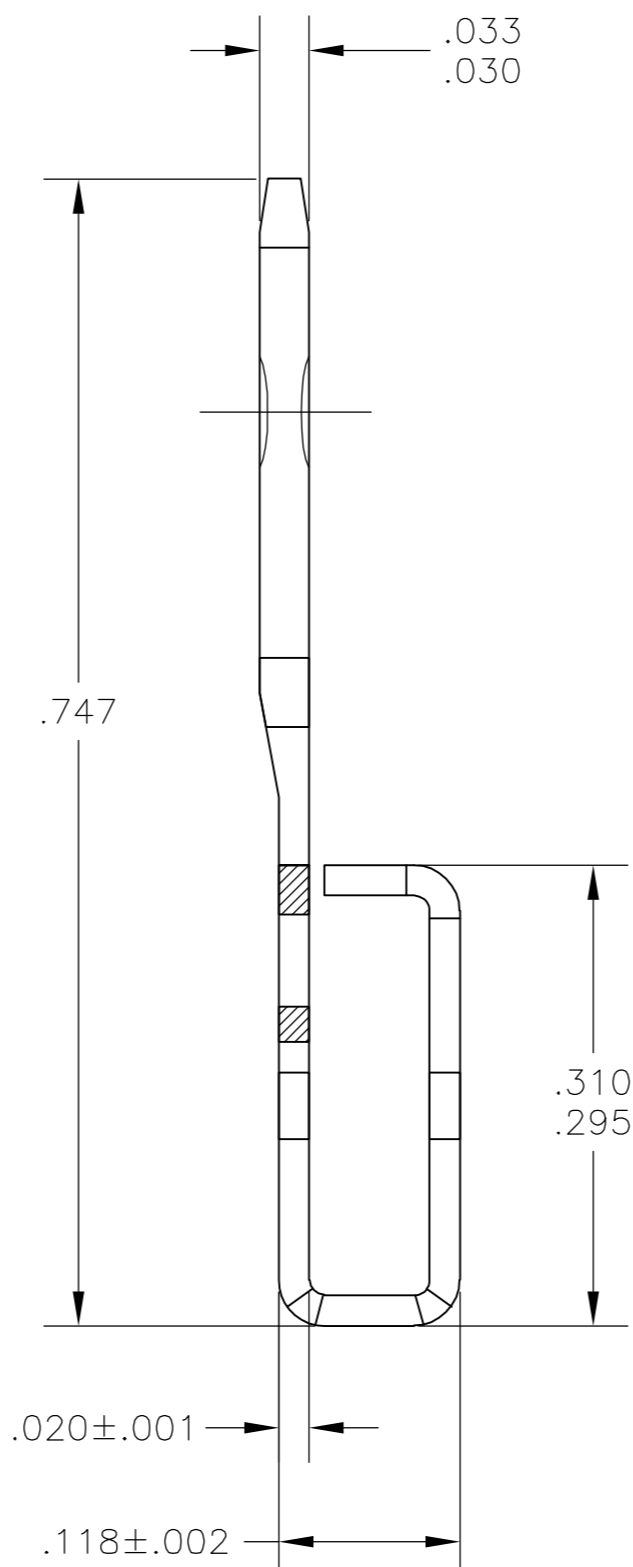
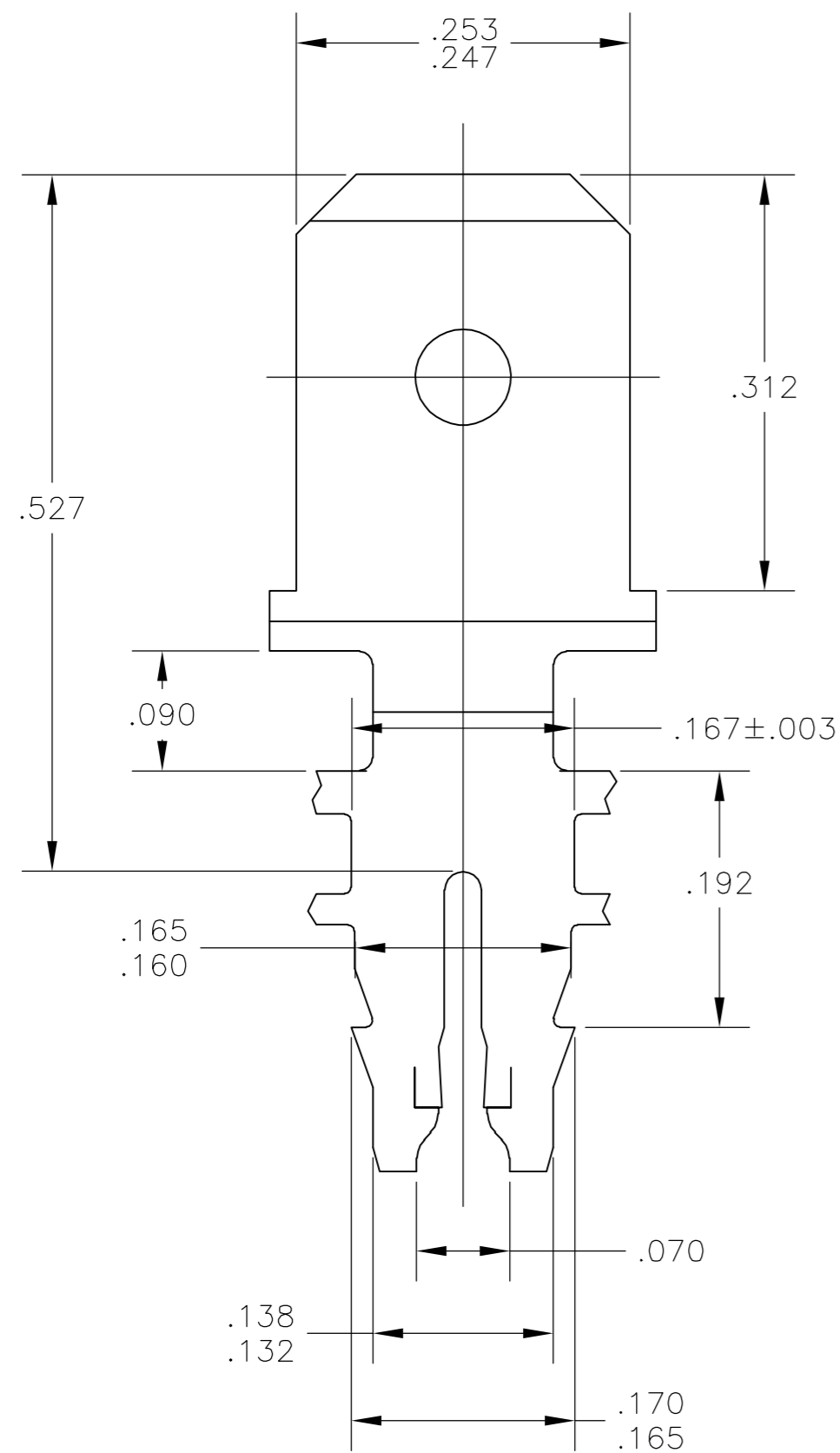


THIS DRAWING IS UNPUBLISHED. RELEASED FOR PUBLICATION
 © COPYRIGHT BY TYCO ELECTRONICS CORPORATION. ALL RIGHTS RESERVED.

LOC	DIST	REVISIONS			
P	LTR	DESCRIPTION	DATE	DWN	APVD
AF	50	A1	REVISED PER ECR-06-028831	14DEC06	MF KR



- 1 CONTINUOUS STRIP ON REELS WITH TERMINALS LOCATED ON $.330 \pm .003$ CENTERS
- 2 SLOT TERMINATES A SINGLE OR DOUBLE MAGNET WIRE OF THE SAME SIZE AND TYPE. COPPER RANGE: #19-#17 AWG
- 3 AFTER INSERTION INTO PLASTIC HOLDER TAB PORTION MUST BE BENT OVER 45° TO 90° OR POTTED-IN TO PREVENT PULL-OUT WHEN MATING RECEPTACLE IS DISCONNECTED.
- 4 SPECIAL CAVITY ANVIL HEIGHT REQUIRED $.130 \pm .003$ REF APPLICATION SPEC 114-2046, SEC. 3.2, NOTE 7
- 5 $.000080 - .000250$ TIN PLATE



1742398-1
PART NO

THIS DRAWING IS A CONTROLLED DOCUMENT.		DWN jr ruth 07FEB06	Tyco Electronics Corporation Harrisburg, PA 17105-3608		
DIMENSIONS: INCHES		CHK K RANDOLPH 07FEB06			
TOLERANCES UNLESS OTHERWISE SPECIFIED:		APVD K RANDOLPH 07FEB06	NAME		
0 PLC ± - 1 PLC ± - 2 PLC ± - 3 PLC ± .010 4 PLC ± - ANGLES ± - FINISH		PRODUCT SPEC 108-2012	TERMINAL, TAB, .250 FASTON, 300 SERIES MAG-MATE		
MATERIAL 4M PRE-MILLED BRASS		APPLICATION SPEC 114-2046 4	SIZE A2	CAGE CODE 00779	DRAWING NO C=1742398
		WEIGHT -	RESTRICTED TO -	SCALE 10:1	SHEET 1 of 1
		CUSTOMER DRAWING	REV A1		