



Chipsmall Limited consists of a professional team with an average of over 10 year of expertise in the distribution of electronic components. Based in Hongkong, we have already established firm and mutual-benefit business relationships with customers from,Europe,America and south Asia,supplying obsolete and hard-to-find components to meet their specific needs.

With the principle of “Quality Parts,Customers Priority,Honest Operation,and Considerate Service”,our business mainly focus on the distribution of electronic components. Line cards we deal with include Microchip,ALPS,ROHM,Xilinx,Pulse,ON,Everlight and Freescale. Main products comprise IC,Modules,Potentiometer,IC Socket,Relay,Connector.Our parts cover such applications as commercial,industrial, and automotives areas.

We are looking forward to setting up business relationship with you and hope to provide you with the best service and solution. Let us make a better world for our industry!



Contact us

Tel: +86-755-8981 8866 Fax: +86-755-8427 6832

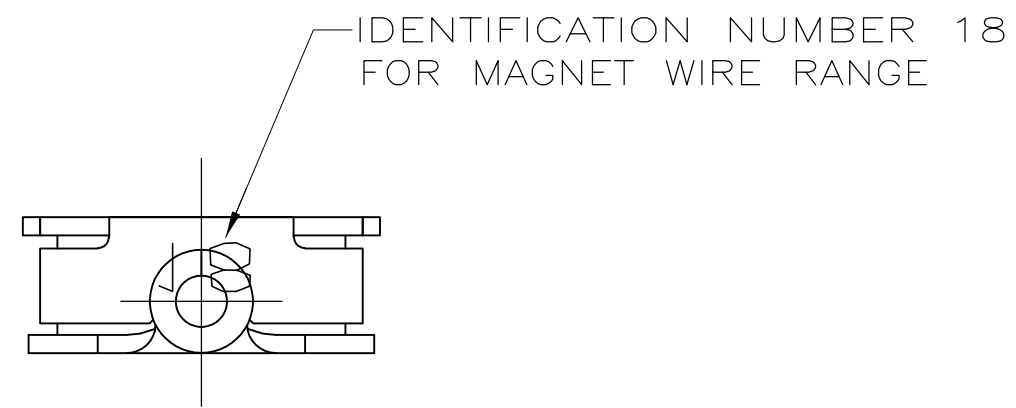
Email & Skype: info@chipsmall.com Web: www.chipsmall.com

Address: A1208, Overseas Decoration Building, #122 Zhenhua RD., Futian, Shenzhen, China

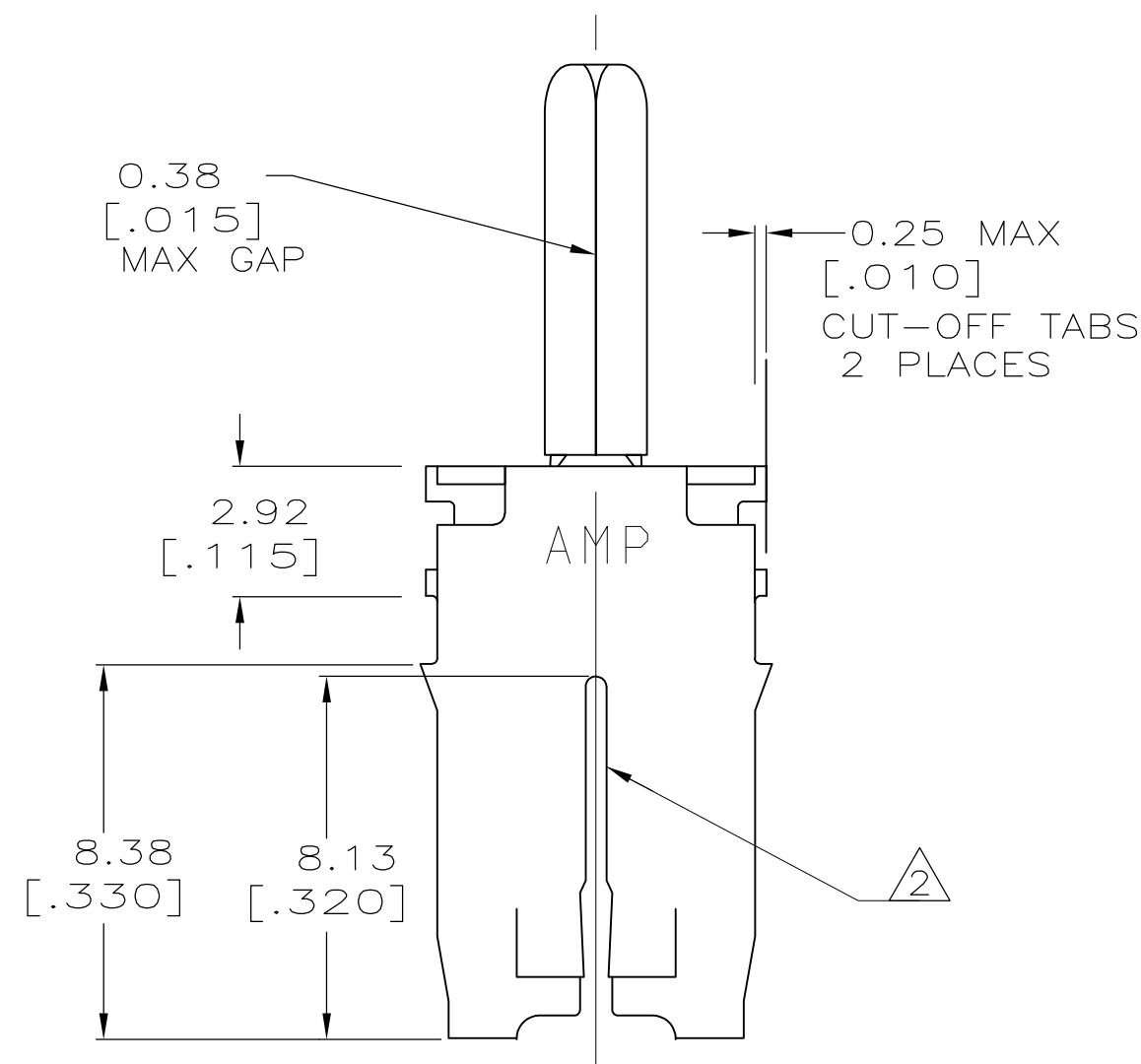
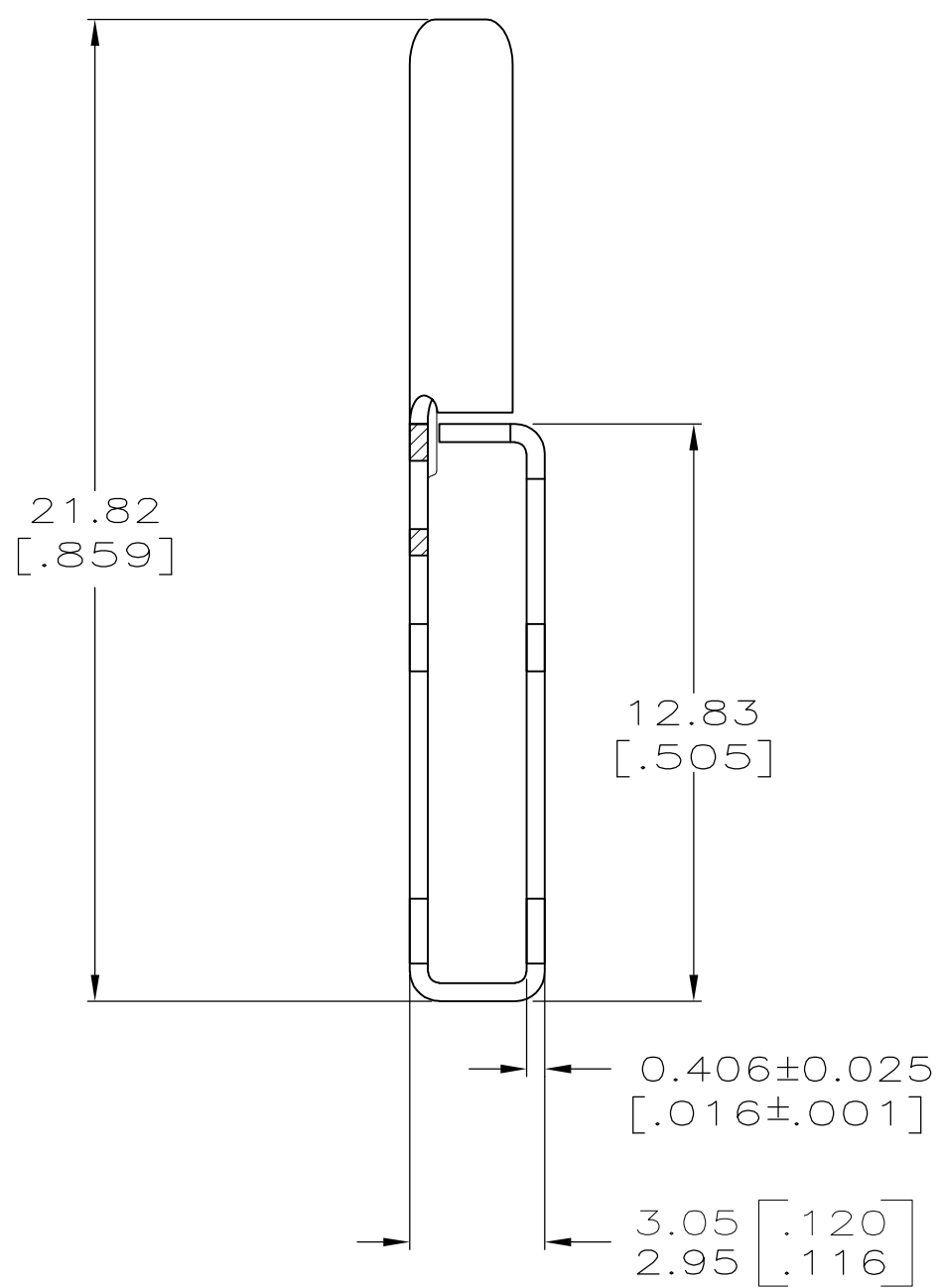
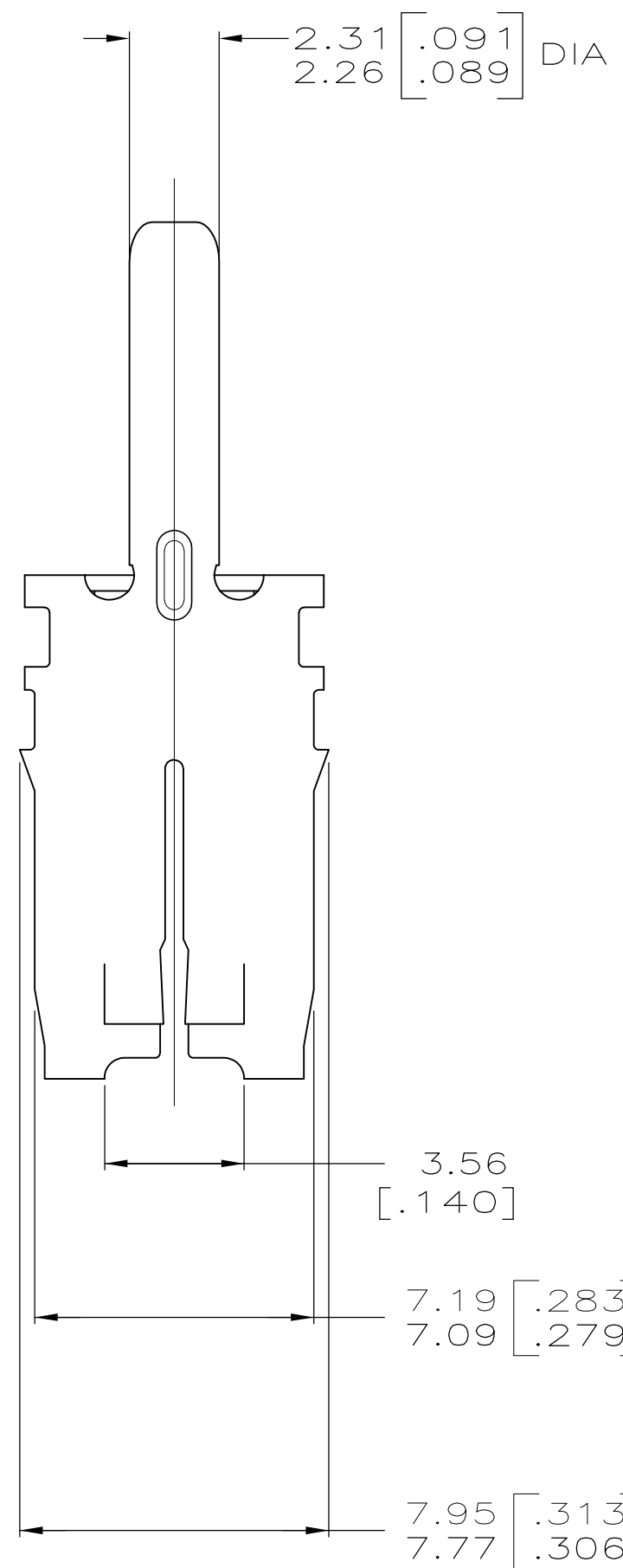


THIS DRAWING IS UNPUBLISHED. RELEASED FOR PUBLICATION
 © COPYRIGHT - By - ALL RIGHTS RESERVED.

LOC	DIST	REVISIONS			
P	LTR	DESCRIPTION	DATE	DWN	APVD
AF	50	A2	ECR-13-016672	25OCT13	PKS RRP



- 1 SUPPLIED IN LOOSE PIECE
- 2 SLOT ACCEPTS 0.64-0.81mm [#22-#20] AWG COPPER MAGNET WIRE. 2 WIRES OF THE SAME SIZE MAX PER SLOT.
- 3 VARNISH RESIST OVER TIN



MATERIAL	BRASS	PART NUMBER	1742409-1
TE TE Connectivity		PIN, 2.29[.090] DIA, 500 SERIES MAG-MATE	
SIZE	CAGE CODE	DRAWING NO	RESTRICTED TO
A2	00779	1742409	-
CUSTOMER DRAWING		SCALE	SHEET
		6:1	1 of 1
		REV	A2

THIS DRAWING IS A CONTROLLED DOCUMENT.		DWN	JR RUTH	07MAR06
DIMENSIONS: INCHES		CHK	K RANDOLPH	07MAR06
TOLERANCES UNLESS OTHERWISE SPECIFIED:		APVD	K RANDOLPH	07MAR06
0 PLC	± -	NAME		
1 PLC	± -	K RANDOLPH		
2 PLC	± 0.25[.010]	PRODUCT SPEC		
3 PLC	± -	108-2053		
4 PLC	± -	APPLICATION SPEC		
ANGLES	± -	114-2066		
MATERIAL	SEE TABLE	WEIGHT	-	
FINISH	- 3			