



Chipsmall Limited consists of a professional team with an average of over 10 year of expertise in the distribution of electronic components. Based in Hongkong, we have already established firm and mutual-benefit business relationships with customers from,Europe,America and south Asia,supplying obsolete and hard-to-find components to meet their specific needs.

With the principle of “Quality Parts,Customers Priority,Honest Operation,and Considerate Service”,our business mainly focus on the distribution of electronic components. Line cards we deal with include Microchip,ALPS,ROHM,Xilinx,Pulse,ON,Everlight and Freescale. Main products comprise IC,Modules,Potentiometer,IC Socket,Relay,Connector.Our parts cover such applications as commercial,industrial, and automotives areas.

We are looking forward to setting up business relationship with you and hope to provide you with the best service and solution. Let us make a better world for our industry!



## Contact us

Tel: +86-755-8981 8866 Fax: +86-755-8427 6832

Email & Skype: info@chipsmall.com Web: www.chipsmall.com

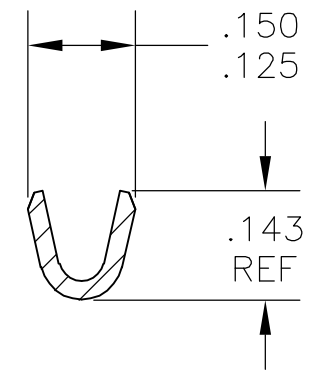
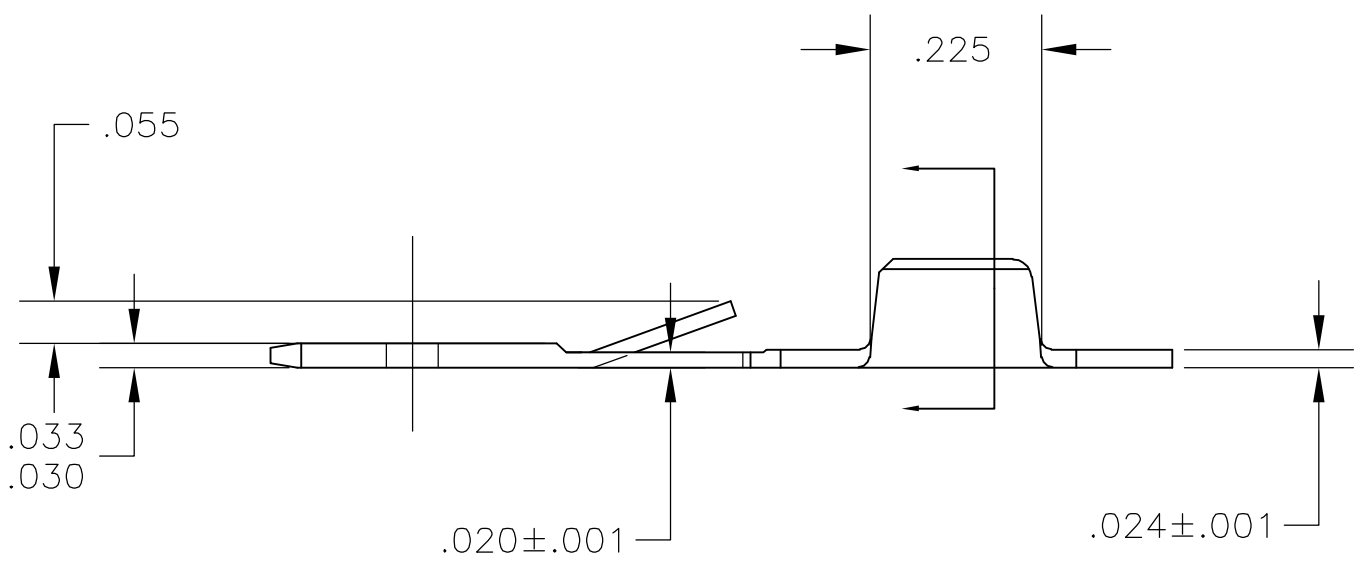
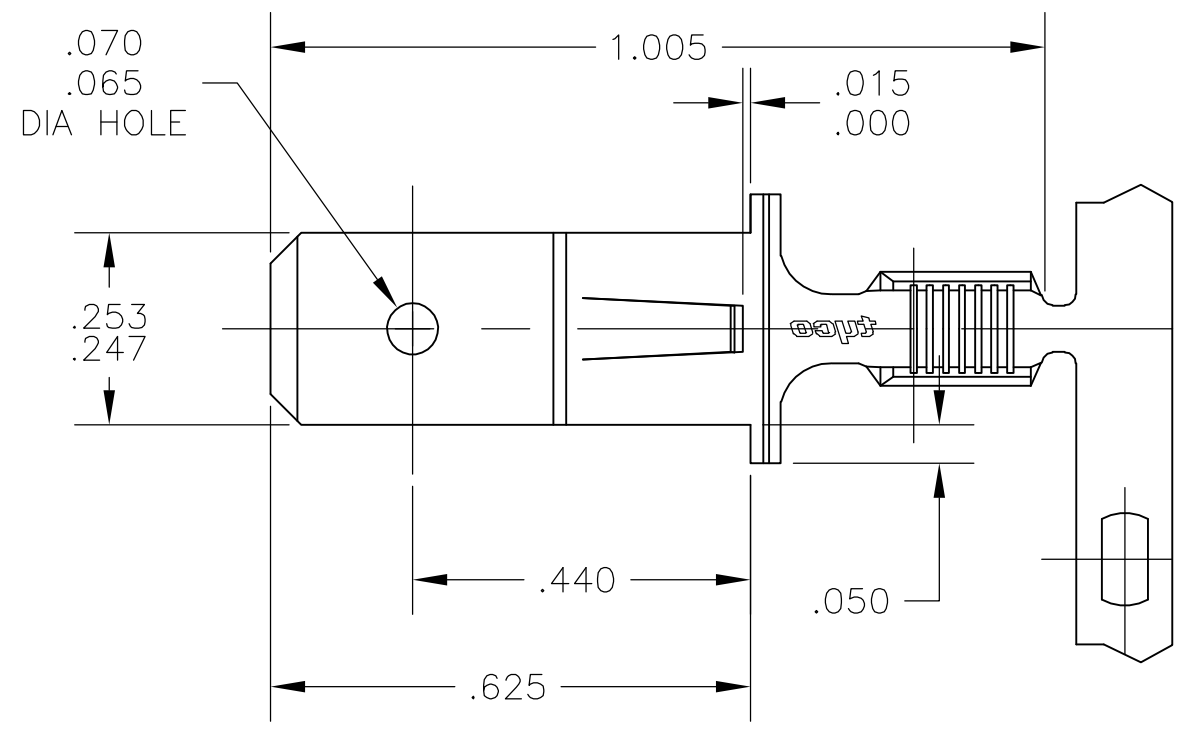
Address: A1208, Overseas Decoration Building, #122 Zhenhua RD., Futian, Shenzhen, China



THIS DRAWING IS UNPUBLISHED. RELEASED FOR PUBLICATION  
 © COPYRIGHT - BY TYCO ELECTRONICS CORPORATION. ALL RIGHTS RESERVED.

LOC	DIST	REVISIONS					
		P	LTR	DESCRIPTION	DATE	DWN	APVD
AF	50		A2	REL PER ECR 06-029769	20DEC06	JR	KR

- 1 CONTINUOUS STRIP ON REELS
- 2 WIRE SIZE 1200-3000 CMA
- 3 CRIMP INFO: WIDTH .110, F TYPE  
 CRIMP HT (±.002) = (TOTAL CMA + 10,875)/187,500



1742425-1  
 PART NO

THIS DRAWING IS A CONTROLLED DOCUMENT.		DWN jr_ruth 31MAR06	Tyco Electronics Corporation Harrisburg, Pa 17105-3608	
DIMENSIONS: INCHES		CHK K RANDOLPH 31MAR06		
		APVD K RANDOLPH 31MAR06	NAME TAB, FASTIN-FASTON, AMPLIVAR, .250 SERIES	
TOLERANCES UNLESS OTHERWISE SPECIFIED:		PRODUCT SPEC	APPLICATION SPEC	
0 PLC ± - 1 PLC ± - 2 PLC ± - 3 PLC ± .010 4 PLC ± - ANGLES ± 5°		114-2146	SIZE A3	CAGE CODE 00779
MATERIAL 082 BRASS		FINISH .000080 MIN TIN	DRAWING NO C-1742425	
		WEIGHT -	RESTRICTED TO -	
		CUSTOMER DRAWING		SCALE 4:1
		SHEET 1 OF 1		REV A2