



Chipsmall Limited consists of a professional team with an average of over 10 year of expertise in the distribution of electronic components. Based in Hongkong, we have already established firm and mutual-benefit business relationships with customers from,Europe,America and south Asia,supplying obsolete and hard-to-find components to meet their specific needs.

With the principle of “Quality Parts,Customers Priority,Honest Operation,and Considerate Service”,our business mainly focus on the distribution of electronic components. Line cards we deal with include Microchip,ALPS,ROHM,Xilinx,Pulse,ON,Everlight and Freescale. Main products comprise IC,Modules,Potentiometer,IC Socket,Relay,Connector.Our parts cover such applications as commercial,industrial, and automotives areas.

We are looking forward to setting up business relationship with you and hope to provide you with the best service and solution. Let us make a better world for our industry!



Contact us

Tel: +86-755-8981 8866 Fax: +86-755-8427 6832

Email & Skype: info@chipsmall.com Web: www.chipsmall.com

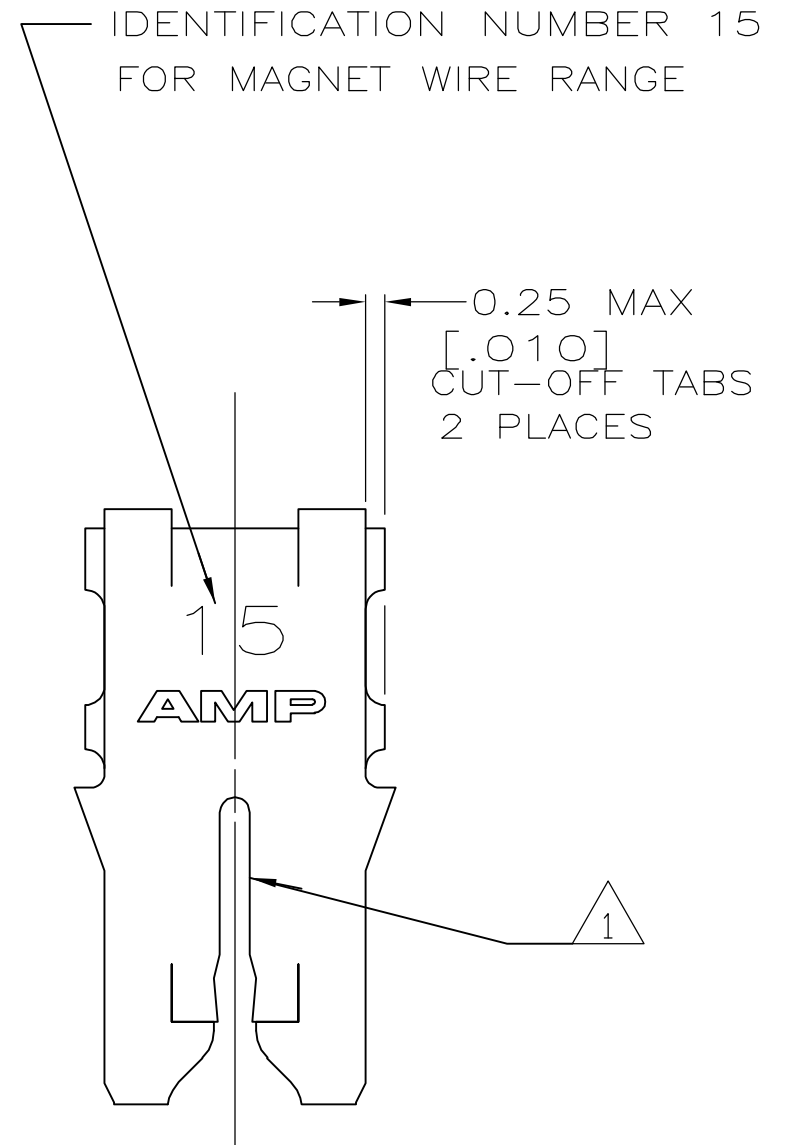
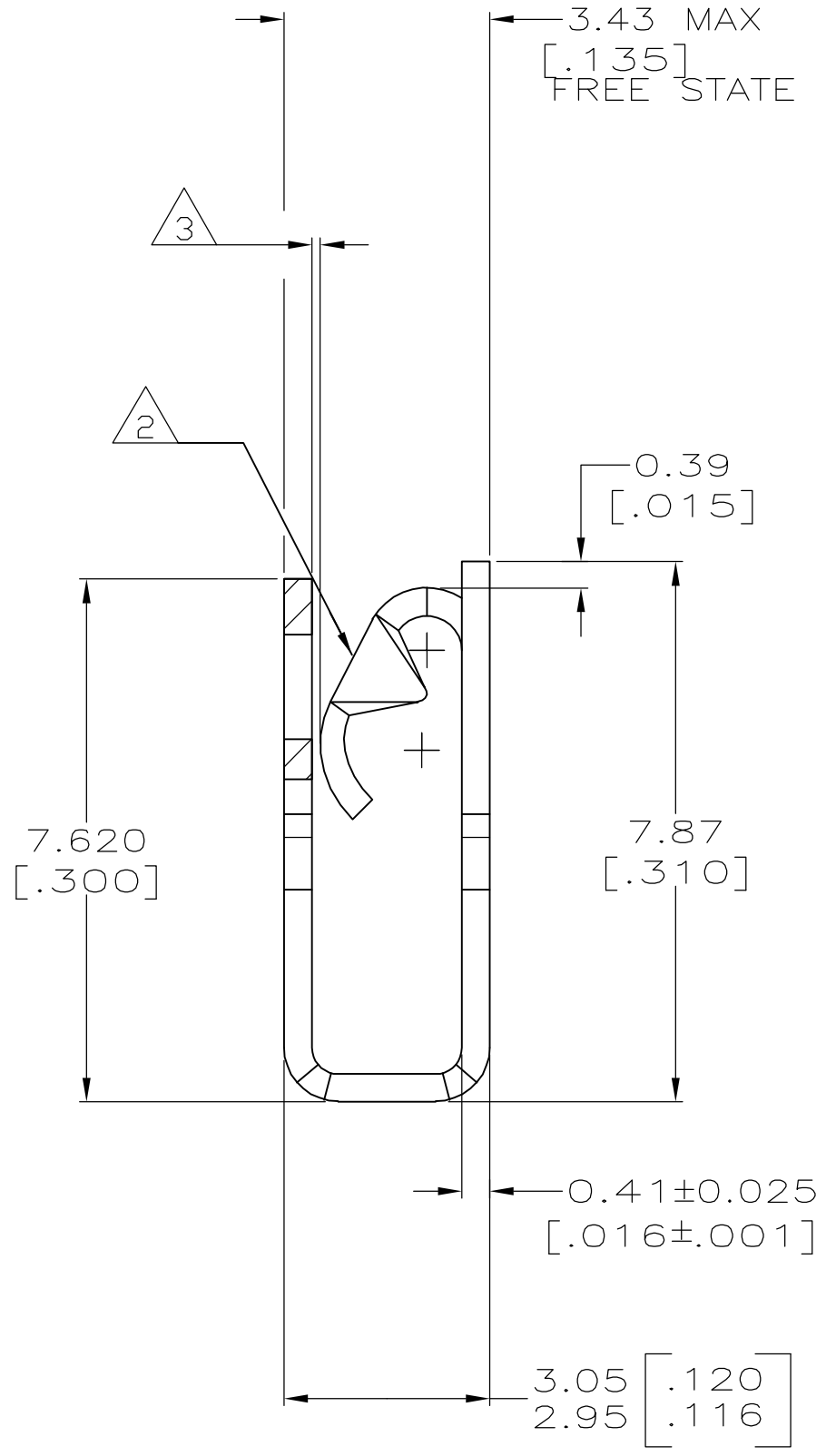
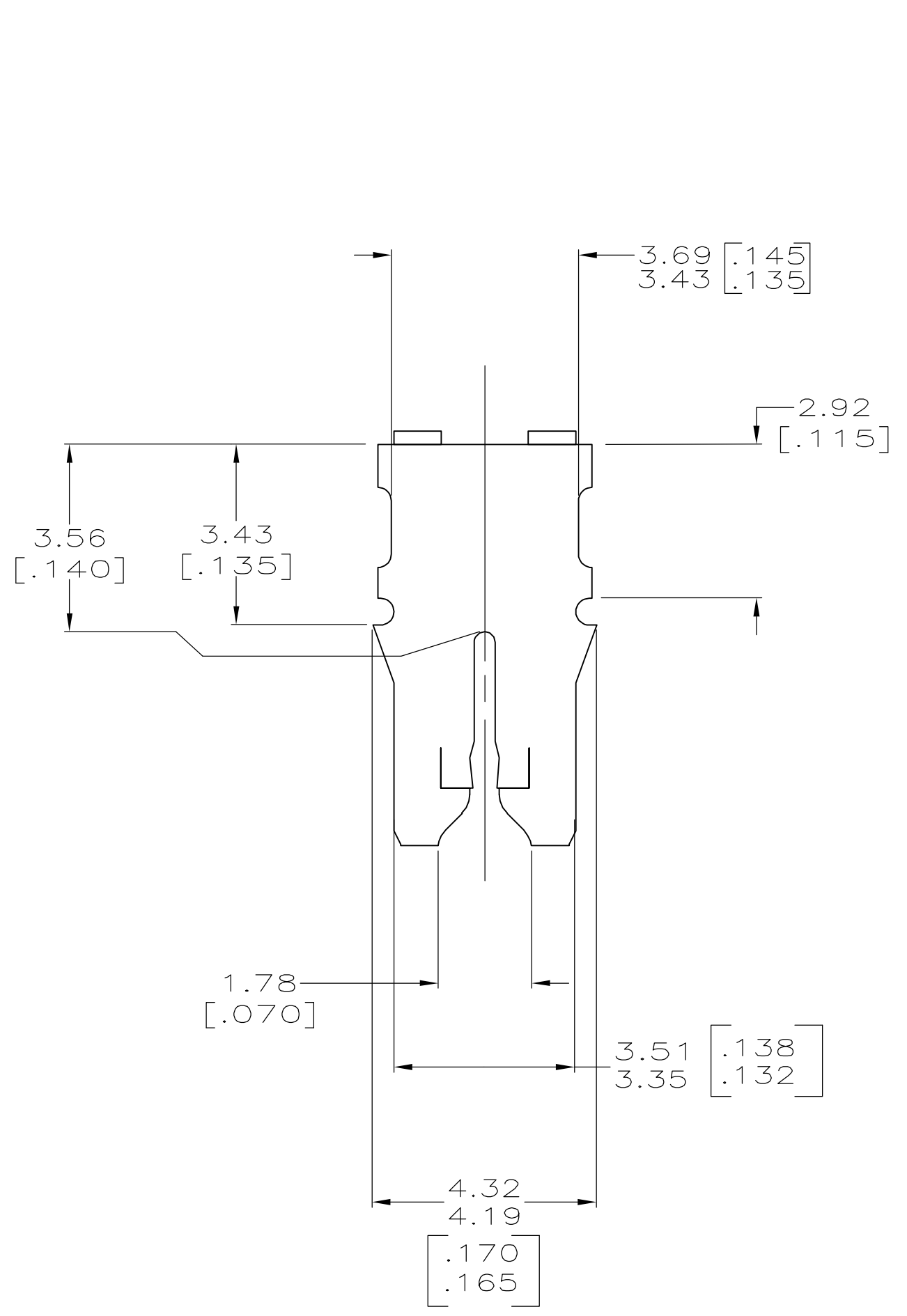
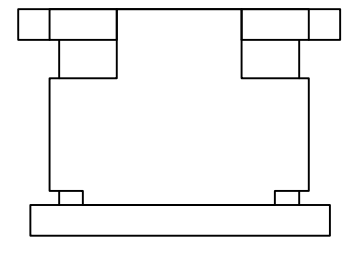
Address: A1208, Overseas Decoration Building, #122 Zhenhua RD., Futian, Shenzhen, China



THIS DRAWING IS UNPUBLISHED. RELEASED FOR PUBLICATION
 © COPYRIGHT BY TYCO ELECTRONICS CORPORATION. ALL RIGHTS RESERVED.

LOC	DIST	REVISIONS			
P	LTR	DESCRIPTION	DATE	DWN	APVD
AF	50	A1	REV PER ECR 06-030011	02JAN07	JR KR

- 1 SLOT ACCEPTS A 0.54-0.64mm [#23.5-#22] AWG COPPER MAGNET WIRE.
- 2 MATES WITH STANDARD MAG-MATE STYLED POKE-IN TAB TERMINAL.
- 3 WHEN FREE STATE IS COMPRESSED TO 3.23 [.127] DIMENSION GAP BETWEEN SPRING AND CARRIER IS TO BE 0.30 [.012] MAX.
- 4 0.002032 [.000080] MIN TIN PLATE OVER
0.00127 [.000050] MIN NICKEL UNDERPLATE.



1742483-1
PART NUMBER

THIS DRAWING IS A CONTROLLED DOCUMENT.		DWN MICHAEL S. FEHER 09NOV2006	Tyco Electronics Corporation Harrisburg, PA 17105-3608															
DIMENSIONS: mm		CHK KURT A. RANDOLPH 09NOV2006																
TOLERANCES UNLESS OTHERWISE SPECIFIED:		APVD KURT A. RANDOLPH 09NOV2006	NAME SPECIAL LEAF CONTACT, LOOSE PIECE, 300 SERIES MAG-MATE															
<table border="0"> <tr><td>0 PLC</td><td>± -</td></tr> <tr><td>1 PLC</td><td>± -</td></tr> <tr><td>2 PLC</td><td>± 0.25[.010]</td></tr> <tr><td>3 PLC</td><td>± -</td></tr> <tr><td>4 PLC</td><td>± -</td></tr> <tr><td>ANGLES</td><td>± -</td></tr> <tr><td>FINISH</td><td>- 4</td></tr> </table>		0 PLC	± -	1 PLC	± -	2 PLC	± 0.25[.010]	3 PLC	± -	4 PLC	± -	ANGLES	± -	FINISH	- 4	PRODUCT SPEC 108-2012	SIZE A2	CAGE CODE 00779
0 PLC	± -																	
1 PLC	± -																	
2 PLC	± 0.25[.010]																	
3 PLC	± -																	
4 PLC	± -																	
ANGLES	± -																	
FINISH	- 4																	
MATERIAL 4M BRASS		APPLICATION SPEC 114-2046	DRAWING NO C=1742483	RESTRICTED TO -														
		WEIGHT -	SCALE 10:1	SHEET 1 of 1														
		CUSTOMER DRAWING	REV A1															

1742483