



Chipsmall Limited consists of a professional team with an average of over 10 year of expertise in the distribution of electronic components. Based in Hongkong, we have already established firm and mutual-benefit business relationships with customers from,Europe,America and south Asia,supplying obsolete and hard-to-find components to meet their specific needs.

With the principle of “Quality Parts,Customers Priority,Honest Operation,and Considerate Service”,our business mainly focus on the distribution of electronic components. Line cards we deal with include Microchip,ALPS,ROHM,Xilinx,Pulse,ON,Everlight and Freescale. Main products comprise IC,Modules,Potentiometer,IC Socket,Relay,Connector.Our parts cover such applications as commercial,industrial, and automotives areas.

We are looking forward to setting up business relationship with you and hope to provide you with the best service and solution. Let us make a better world for our industry!



## Contact us

Tel: +86-755-8981 8866 Fax: +86-755-8427 6832

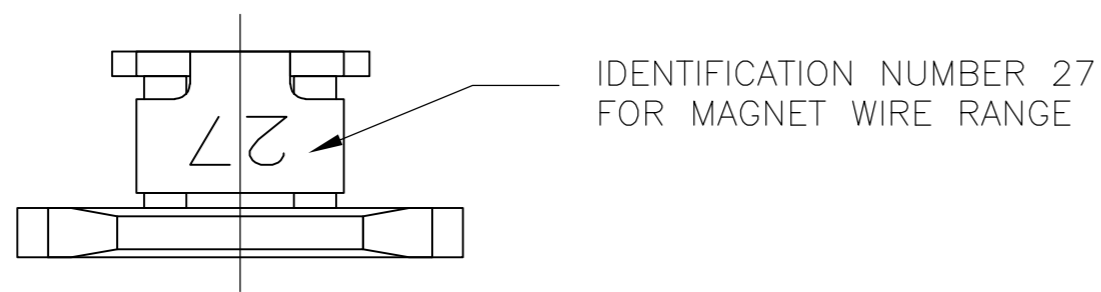
Email & Skype: info@chipsmall.com Web: www.chipsmall.com

Address: A1208, Overseas Decoration Building, #122 Zhenhua RD., Futian, Shenzhen, China

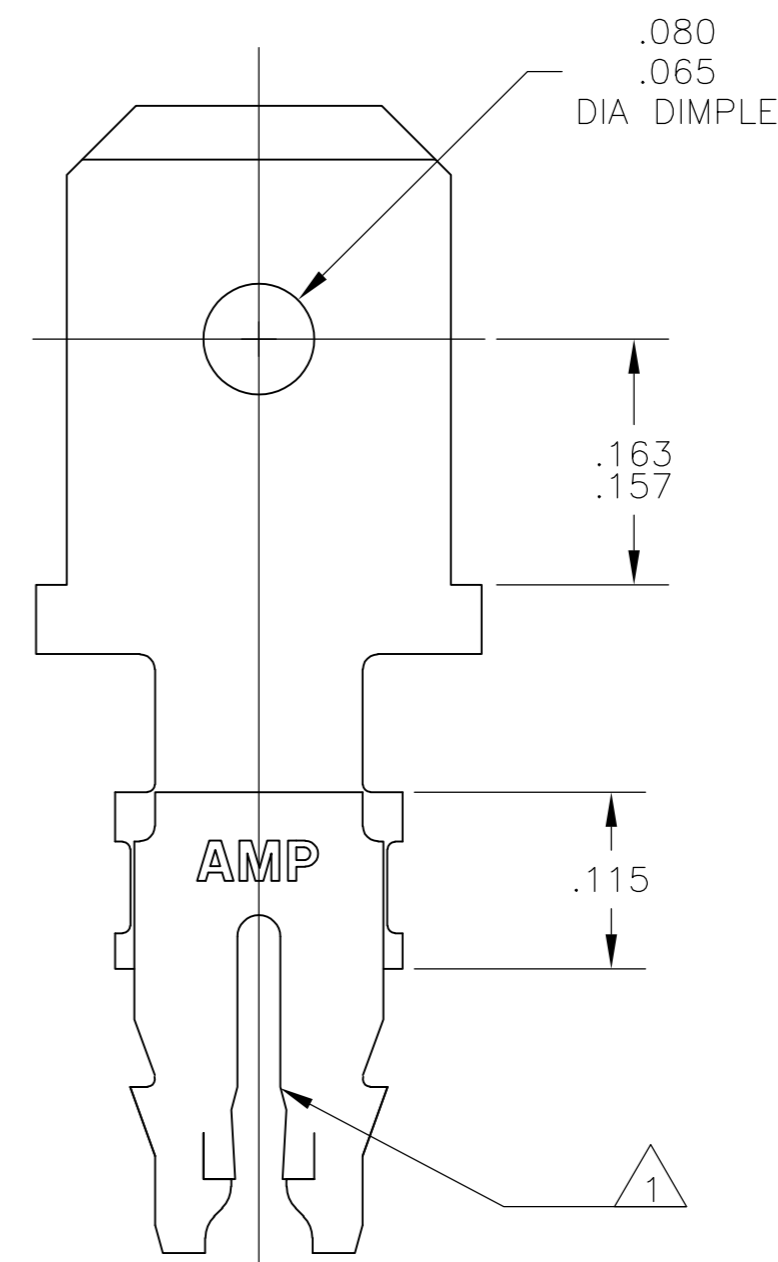
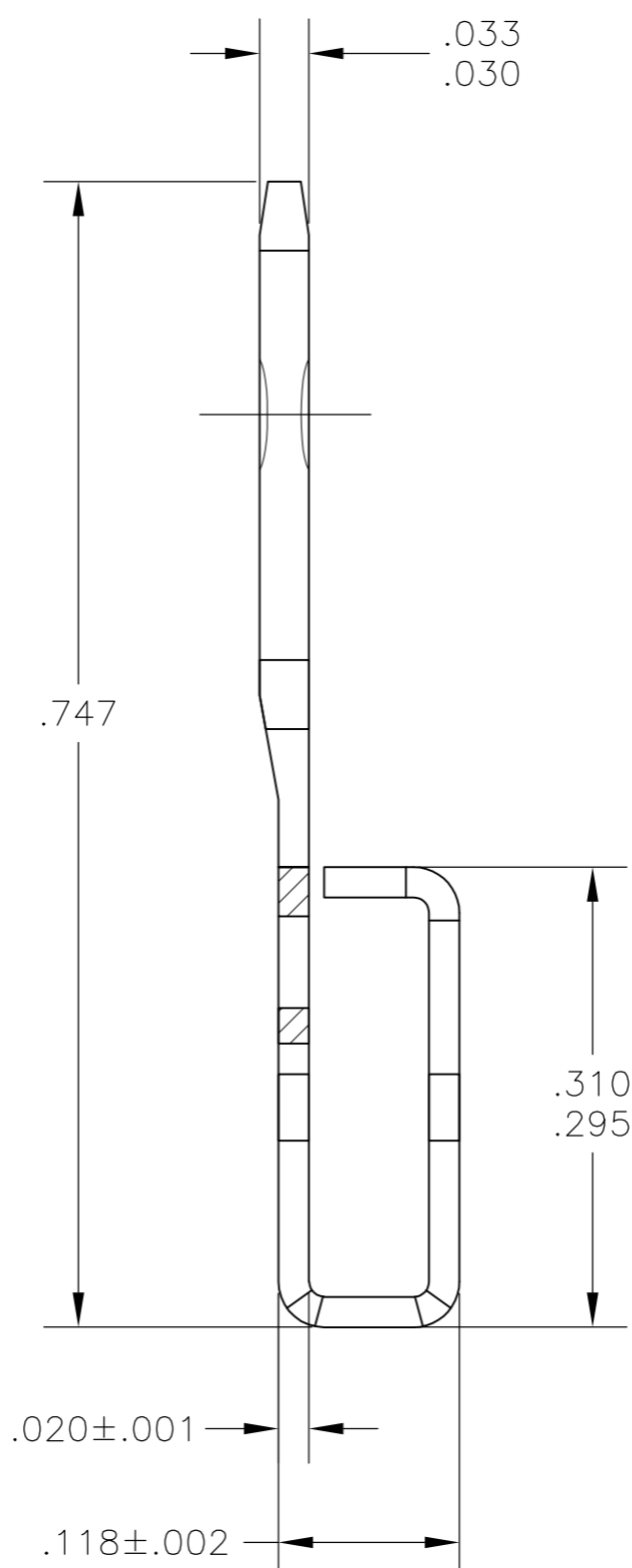
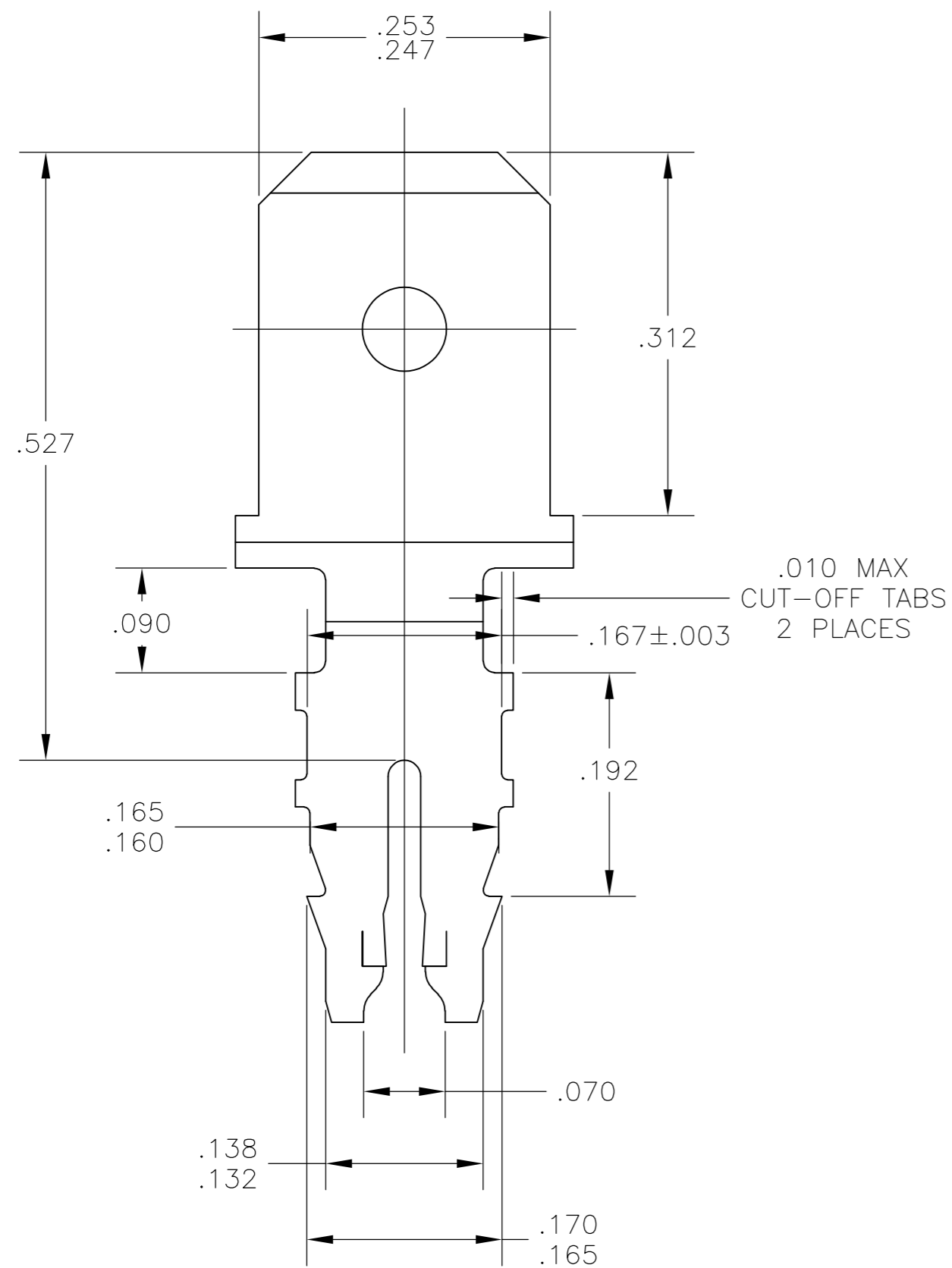


THIS DRAWING IS UNPUBLISHED. RELEASED FOR PUBLICATION  
 © COPYRIGHT BY TYCO ELECTRONICS CORPORATION. ALL INTERNATIONAL RIGHTS RESERVED.

LOC	DIST	REVISIONS			
P	LTR	DESCRIPTION	DATE	DWN	APVD
AF	50	A1	REVISED PER ECR-09-014283	26JUN09	HMR KR



- 1 SLOT TERMINATES A SINGLE OR DOUBLE MAGNET WIRE OF THE SAME SIZE AND TYPE. COPPER RANGE: #19-#17 AWG
- 2 AFTER INSERTION INTO PLASTIC HOLDER TAB PORTION MUST BE BENT OVER 45° TO 90° OR POTTED-IN TO PREVENT PULL-OUT WHEN MATING RECEPTACLE IS DISCONNECTED.
- 3 SPECIAL CAVITY ANVIL HEIGHT REQUIRED .130±.003 REF APPLICATION SPEC 114-2046, SEC. 3.2, NOTE 7
- 4 .000080 - .000250 TIN PLATE



1742490-1  
PART NUMBER

THIS DRAWING IS A CONTROLLED DOCUMENT.		DWN M.S. FEHER 23OCT2006	Tyco Electronics Corporation Harrisburg, PA 17105-3608	
DIMENSIONS: INCHES		CHK K.A. RANDOLPH 23OCT2006	NAME K.A. RANDOLPH	
TOLERANCES UNLESS OTHERWISE SPECIFIED:		APVD K.A. RANDOLPH 23OCT2006	PRODUCT SPEC 108-2012	
0 PLC ± -		APPLICATION SPEC 114-2046 3		SIZE A2
1 PLC ± -		WEIGHT -		CAGE CODE 00779
2 PLC ± -		FINISH 4		DRAWING NO 1742490
3 PLC ± .010		CUSTOMER DRAWING		RESTRICTED TO -
4 PLC ± -		SCALE 10:1		SHEET 1 of 1
ANGLES ± -		REV A1		