



Chipsmall Limited consists of a professional team with an average of over 10 year of expertise in the distribution of electronic components. Based in Hongkong, we have already established firm and mutual-benefit business relationships with customers from,Europe,America and south Asia,supplying obsolete and hard-to-find components to meet their specific needs.

With the principle of “Quality Parts,Customers Priority,Honest Operation,and Considerate Service”,our business mainly focus on the distribution of electronic components. Line cards we deal with include Microchip,ALPS,ROHM,Xilinx,Pulse,ON,Everlight and Freescale. Main products comprise IC,Modules,Potentiometer,IC Socket,Relay,Connector.Our parts cover such applications as commercial,industrial, and automotives areas.

We are looking forward to setting up business relationship with you and hope to provide you with the best service and solution. Let us make a better world for our industry!



## Contact us

Tel: +86-755-8981 8866 Fax: +86-755-8427 6832

Email & Skype: info@chipsmall.com Web: www.chipsmall.com

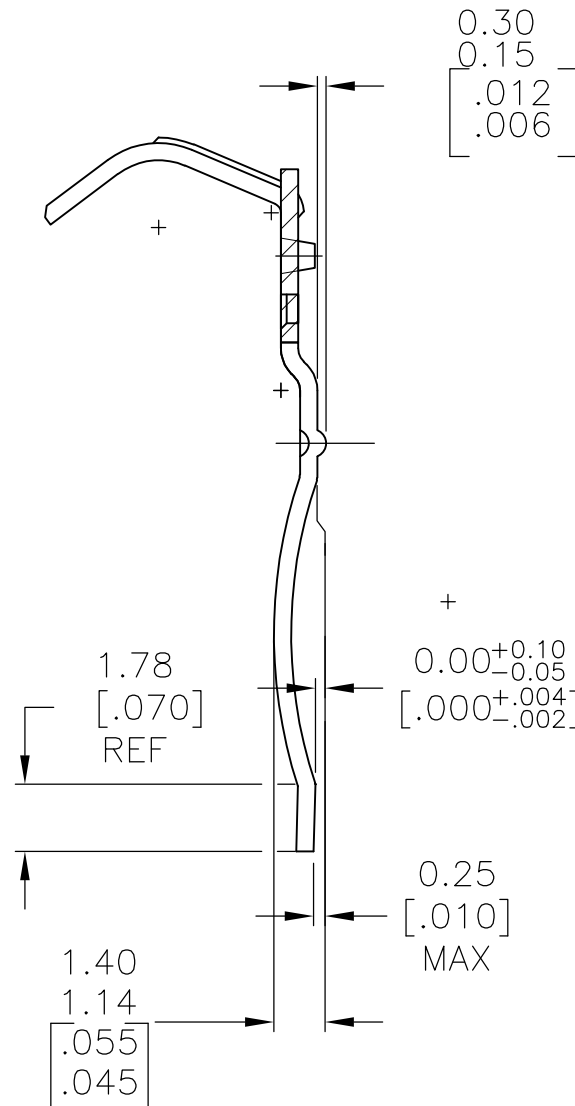
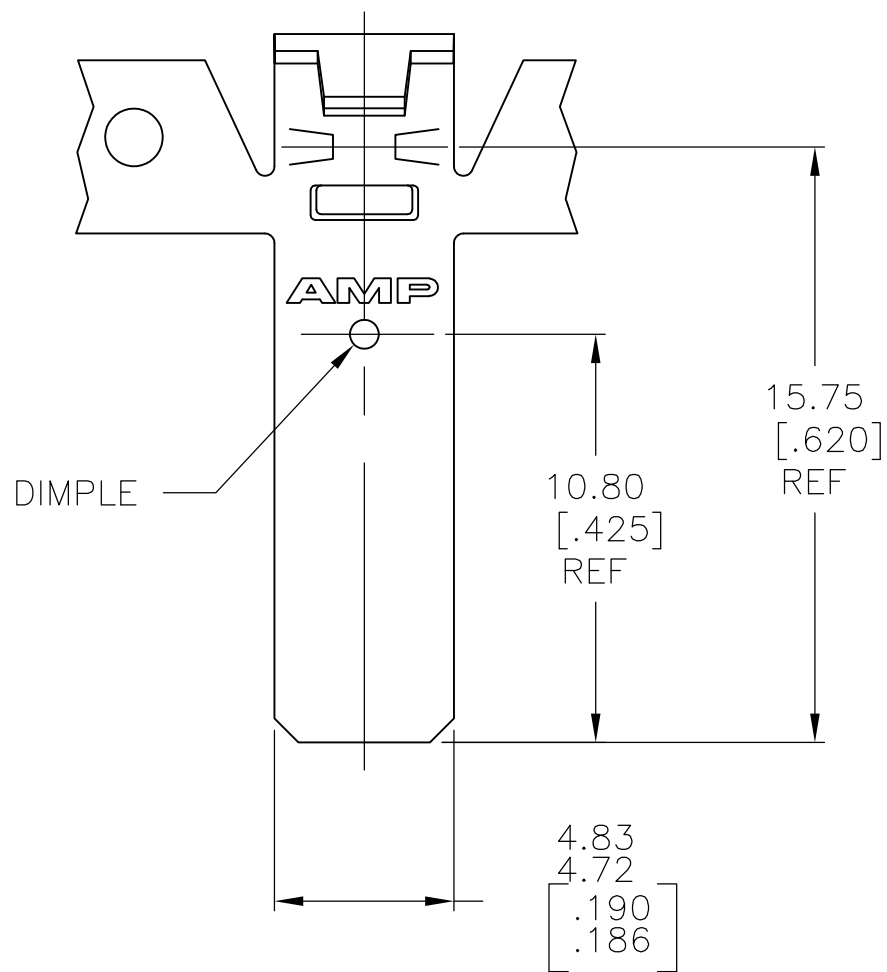
Address: A1208, Overseas Decoration Building, #122 Zhenhua RD., Futian, Shenzhen, China



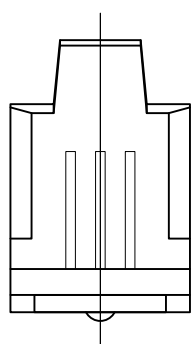
THIS DRAWING IS UNPUBLISHED. RELEASED FOR PUBLICATION  
 © COPYRIGHT - BY TYCO ELECTRONICS CORPORATION. ALL RIGHTS RESERVED.

LOC AF DIST 50

| REVISIONS |     |                           |         |     |      |
|-----------|-----|---------------------------|---------|-----|------|
| P         | LTR | DESCRIPTION               | DATE    | DWN | APVD |
|           | A2  | REVISED PER ECR-07-029757 | 14DEC07 | HMR | GP   |
|           | A3  | REVISED PER ECR-13-000187 | 07JAN13 | B.P | YH.M |



1 PRODUCT PROVIDED IN STRIP FORM ON SPLICE FREE REELS.



|                          |   |            |             |
|--------------------------|---|------------|-------------|
| 0.00203[.000080] MIN TIN | 0.457±0.025[.018±.001] THK<br>H03 PHOS BRONZE | 20-14 AWG  | 1742492-2   |
| FINISH                   | MATERIAL                                      | WIRE RANGE | PART NUMBER |

|  |  |                     |   |                    |
|--|--|---------------------|---|--------------------|
| THIS DRAWING IS A CONTROLLED DOCUMENT.   |  | DWN B.P 07JAN2013   | Tyco Electronics Corporation<br>Harrisburg, PA 17105-3608 |                    |
| DIMENSIONS: mm [INCHES]<br>  |  | CHK F.M 07JAN2013   |   |                    |
| TOLERANCES UNLESS OTHERWISE SPECIFIED:<br>0 PLC ± -<br>1 PLC ± -<br>2 PLC ± 0.25[.010]<br>3 PLC ± -<br>4 PLC ± -<br>ANGLES ± - |  | APVD YH.M 07JAN2013 | NAME BRUSH CONTACT, TAB-LOCK LEFT HAND                    |                    |
| MATERIAL SEE TABLE   |  | FINISH SEE TABLE    | PRODUCT SPEC -  | APPLICATION SPEC - |
|  |  | WEIGHT -            | SIZE A3   | CAGE CODE 00779    |
| CUSTOMER DRAWING   |  |                     | DRAWING NO C-1742492                                      | RESTRICTED TO -    |
|  |  |                     | SCALE 5:1   | SHEET 1 OF 1       |
|  |  |                     | REV A3  |                    |